

1



**FN050-VDQ.4I.A7P1 | 140083 | Portfolio STD-WW | FE2owlet AC**

Technical Description FE2owlet

## Range FN

### Standard design with AC-motor

- Profiled, sickle shaped blades designed with bionical know how
- Sizes 310 ... 800 mm (in 9 standard sizes)
- Optimized for full bell mouth
- 100% speed controllable
- ZIEHL-ABEGG FE2owlet fans can be used from -40°C\* up to 70°C.

### Mains voltage:

- 3~ zweitourig 400 V ±10% D/Y
- 3~ zweitourig 400/460 V ±10% D/Y

### Frequenz:

- 50 Hz
- 60 Hz

### Thermal class:

- THCL 155

### Protection:

- IP54

### Motor protection:

- Thermostat relay (TB)

### Material of impeller:

- Aluminium die-cast

### Painting:

- Fan in color RAL 9005 deep black
- Wall ring plate and suspension in color RAL 9005 deep black

### On request:

- Different paintings
- Fan designs

**\*Continuous operation with occasional starts (S1) according to DIN EN 60034-1: 2011-02. Occasional starting between -35 ° C and -25 ° C is permissible. Permanent operation below -25 ° C only possible with special bearings for refrigeration applications on request.**

# FANselect



fan data

4/1/2024

version FANselect V 1.01 (230327), AMCA V 1.03 September, 2021<br>RLT V 1.00 Dezember, 2021 / 1.23.03.27 | 40932 | (user ZAFS30932)



type	<b>FN050-VDQ.4I.A7P1</b>
article no.	140083   Portfolio STD-WWW

technical data

motor		AC
mains supply	-	3~ 400V 50Hz Y
nominal current (I <sub>N</sub> )	A	0.96
ambient temperature, max. limit (t <sub>r</sub> )	°C	70
efficiency grade $\eta_{statA}$	%	34,2
efficiency grade <b>N<sub>actual</sub>   N<sub>target</sub></b>		<b>41,3   40</b>
ErP-conformity		2015
grille   influence		pressure side   measured

fan data

frequency (f <sub>DP</sub> )   (f <sub>max</sub> )	Hz	<b>50   50</b>
dimensions (w x h x d)	mm	655 x 655 x 277
product weight (m <sub>pr</sub> )	kg	20.1

PF:PF\_50; Ano:140083; STol:+50 %

# FANselect



## performance curve / acoustics

4/1/2024

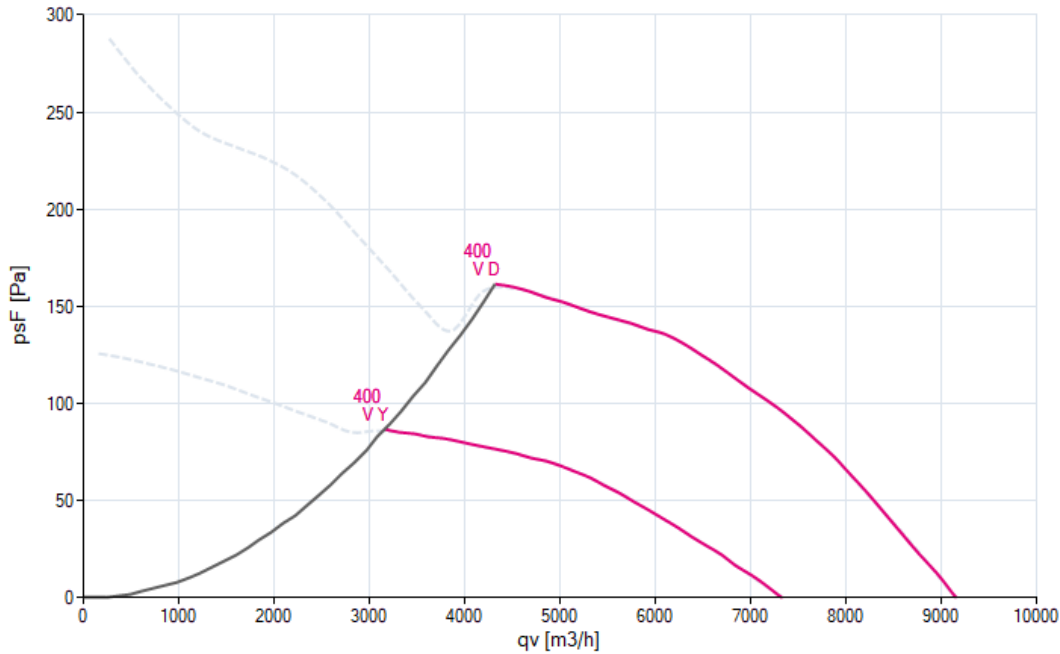
Version FANselect V 1.01 (230327), AMCA V 1.03 September, 2021<br>RLT V 1.00 Dezember, 2021 / 1.23.03.27 | 40932 | (user ZAFS30932)

**1 FN050-VDQ.4I.A7P1**

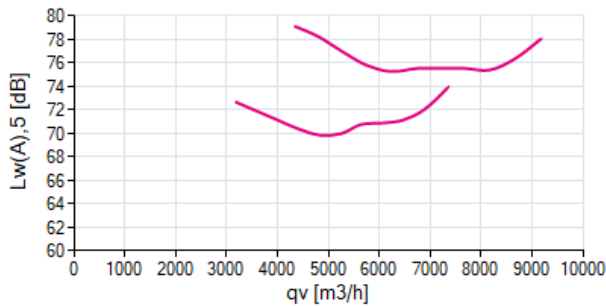
Measured in full nozzle with pressure side guard grille in air flow direction V in installation type A according to ISO5801

140083 | Portfolio STD-WW measurement density 1.16 [kg/m³]

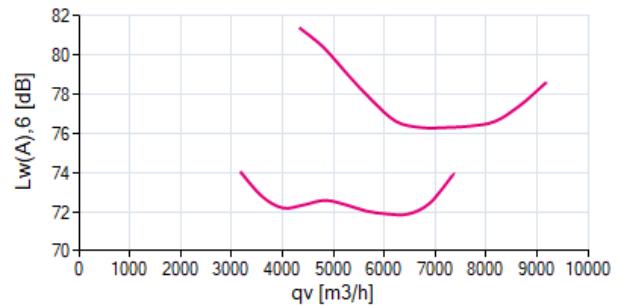
### air performance $p_{sF}$



### acoustics ( $L_{w(A),5}$ )



### acoustics ( $L_{w(A),6}$ )



**1 FN050-VDQ.4I.A7P1**

f [Hz]	sum	63	125	250	500	1000	2000	4000	8000
$L_{w(A),5}$	-	-	-	-	-	-	-	-	-
$L_{w,5}$	-	-	-	-	-	-	-	-	-

f [Hz]	sum	63	125	250	500	1000	2000	4000	8000
$L_{w(A),6}$	-	-	-	-	-	-	-	-	-
$L_{w,6}$	-	-	-	-	-	-	-	-	-

# FANselect



## power input

4/1/2024

version FANselect V 1.01 (230327), AMCA V 1.03 September, 2021<br>RLT V 1.00 Dezember, 2021 / 1.23.03.27 | 40932 | (user ZAFS30932)

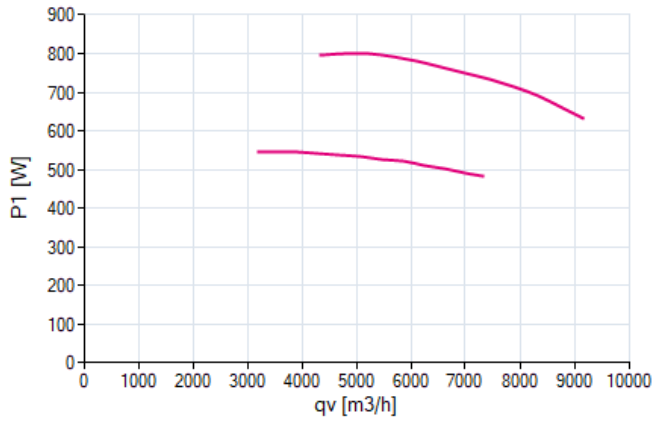
①

FN050-VDQ.4I.A7P1

Measured in full nozzle with pressure side guard grille in air flow direction V in installation type A according to ISO5801

140083 | Portfolio STD-WW measurement density 1.16 [kg/m³]

### power input P<sub>1</sub>





## nominal values

version FANselect V 1.01 (230327), AMCA V 1.03 September, 2021<br>RLT V 1.00 Dezember, 2021 / 1.23.03.27 | 40932 | (user ZAFS30932)

4/1/2024

1



**FN050-VDQ.4I.A7P1**  
140083

3~ 400V +10/-10 D/Y 50Hz P1 0.84/0.54kW P2 0.60/0.22kW  
1.45/0.96A DI=15% 1340/940/MIN COSY 0.80 70°C  
IP54 THCL155

## drawing

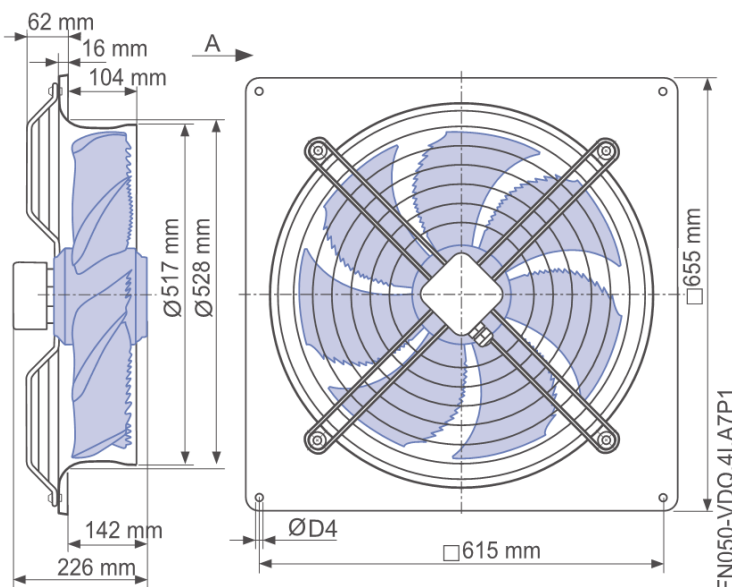
version FANselect V 1.01 (230327), AMCA V 1.03 September, 2021<br>RLT V 1.00 Dezember, 2021 / 1.23.03.27 | 40932 | (user ZAFS30932)

4/1/2024

1



**FN050-VDQ.4I.A7P1**  
140083



## wiring diagram

version FANselect V 1.01 (230327), AMCA V 1.03 September, 2021<br>RLT V 1.00 Dezember, 2021 / 1.23.03.27 | 40932 | (user ZAFS30932)

4/1/2024

1



**FN050-VDQ.4I.A7P1**  
140083

1-Motor mit Kondensator und Thermostatschalter.  
1-Motor with capacitor and thermostatic switch.  
Moteur monophasé avec condensateur et interrupteur thermostatique.

UZ	blau oder grau	blue or grey	bleu ou gris
Z2	schwarz	black	noir
TB	braun	brown	brun



Anschlussschaltbild im Anschlusskasten aufbewahren.  
Keep wiring diagram in terminal box.  
Conserver le schéma de raccordement dans la boîte à bornes.