

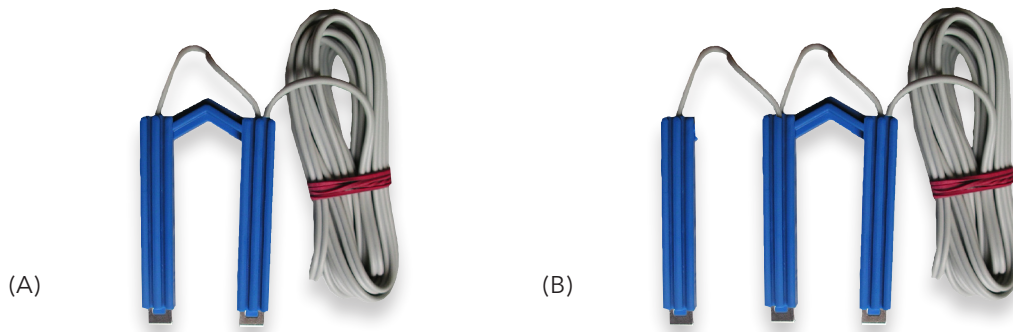
L56

Liquid and ice sensor



- › Easy installation
- › Steel sensing element
- › Compatible with E37 and EWPlus & IDPlus dispenser controllers
- › Accurate and reliable measurements

L56 LIQUID AND ICE SENSOR



L56 sensor are used in combination with Ranco E37 and Eliwell EW \ IDPlus ice bank controllers to measure accurately and reliably the variation of conductivity, typically between air and water, or between water and ice. Each sensor pack includes specific mounting accessories.

ICE BANK / LIQUID

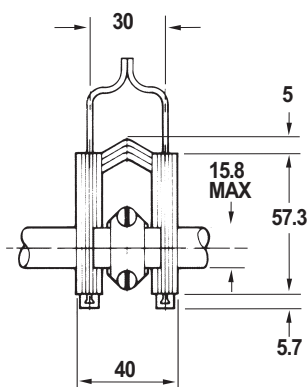
Part number	Description - Cable lenght	Application	Sensing Element	Electrod type	Ranco Controller	Eliwell Controllers
L56H2001001	L56 electric probe 3 meters	Ice bank / liquid	Stainless steel	(A)	E37M11xxxxx	EWPlus \ IDPlus Dispenser
L56H2002001	L56 electric probe 5 meters	Ice bank / liquid	Stainless steel	(A)	E37M11xxxxx	EWPlus \ IDPlus Dispenser
L56H2006001	L56 electric probe 12 meters	Ice bank / liquid	Stainless steel	(A)	E37M11xxxxx	EWPlus \ IDPlus Dispenser
L56H2015001	L56 electric probe 1.5 meters	Ice bank / liquid	Stainless steel	(A)	E37M11xxxxx	EWPlus \ IDPlus Dispenser

ICE THICKNESS \ LIQUID DIFFERENTIAL LEVEL

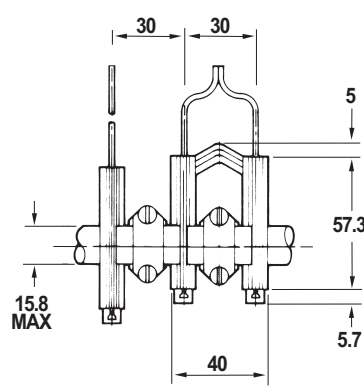
Part number	Description - Cable lenght	Application	Sensing Element	Electrod type	Ranco Controller	Eliwell Controllers
L56H3001001	L56 electric probe 3 meters	Liquid level or ice thickness	Stainless steel	(B)	E37M12xxxxx	EWPlus \ IDPlus Dispenser

TECHNICAL DATA

Cable type	Compliance	Rated Voltage	Insulation	Outside Diam.	Operat. Temperature	Fork. Element sensor	Fork. Element bodies	Cable & Sensor	Sensor & Body assembly	Protection class
NYFAFW 1X0.75 mm ²	DIN VDE 0281 part 7	300 / 500 V	YI 8 acc.to a VDE 0207 part 4	2,30 ± 0.10 mm	(-5+90)°C flexible, (-25+90)°C static, To mac 105°C with reduced lifetime	AISI 301	MOPLEN HP501H	Crimped	Overmolding	IP00



L56H2xxxxxx (A)

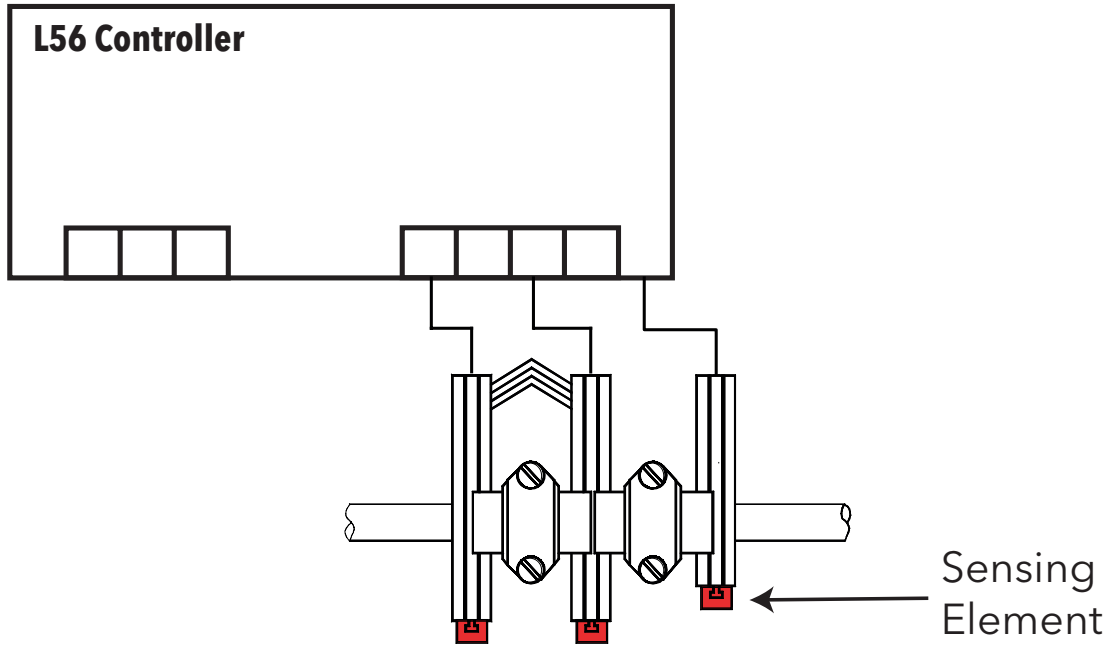


L56H3xxxxxx (B)

L56 INSTALLATION NOTES

For correct installation, satisfy at least one of the following two conditions:

1. Dip into the liquid only the sensitive elements of the probe (parts in red) as illustrated in Image 2.;
2. If this is not possible, the controller for L56 must be positioned above the probe in such a way that atmospheric pressure and gravity do not let water particles go back along the probe and come in contact with the controller, thus damaging it (Image 3).



INSTALLATION

Image 2

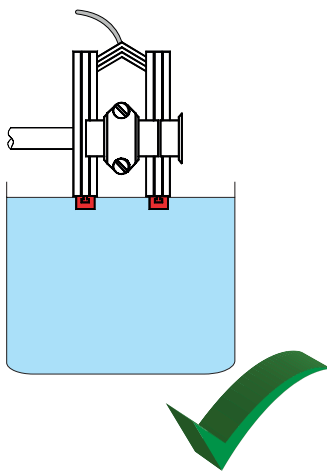
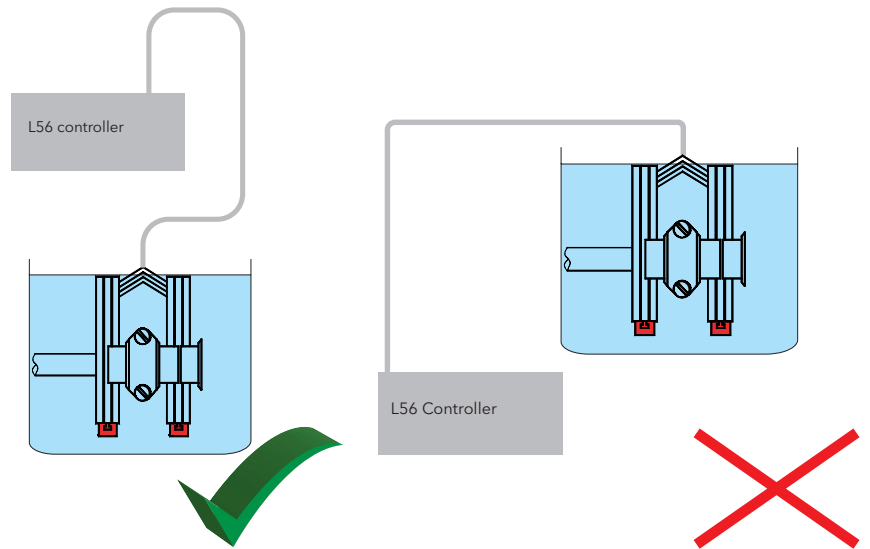


Image 3



NOTES

- The L56 sensors aren't designed to be dipped into water;
- The steel terminals are the sensing element of the probe;
- Only the sensing element must be in contact with liquid/ice.

Follow us



www.eliwell.com

ELIWELL CONTROLS srl

Via dell' Industria, 15 Z.I. Paludi
32010 Pieve d' Alpago (BL) - ITALIA -
T: +39 0437 986 111

Sales:

T: +39 0437 986 100 (Italia)
+39 0437 986 200 (altre nazioni)
E: saleseliwell@schneider-electric.com

Technical Support:

T: +39 0437 986 300
E: Techsuppeliwell@schneider-electric.com



ISO 9001



CT123269 • L56 • EN • rel. 02/15

© Eliwell Controls s.r.l. 2014-2015 - All rights reserved