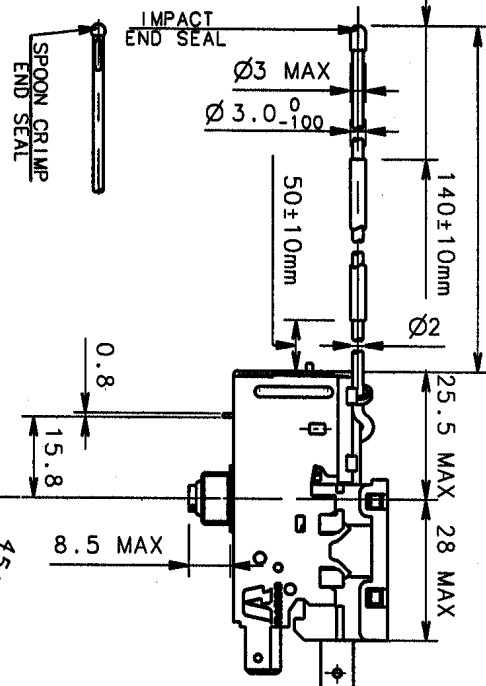
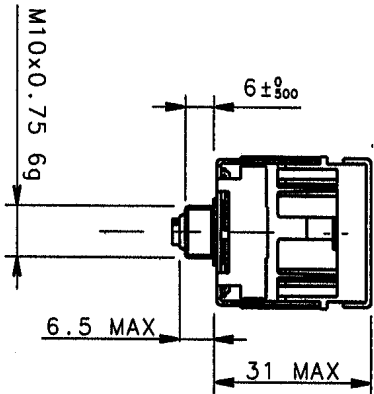


"A" DIM

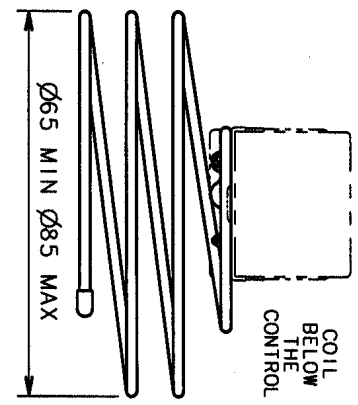


CONTROL SHOWN IN COLD POSITION



CAPILLARY DELIVERY FORM
(DIAL SHAFT, BUSH ETC.
OMITTED ON THIS VIEW).

COIL
BELOW
THE
CONTROL



NOTES:

SWITCH TYPE S.P.D.T.

SNAP ACTION

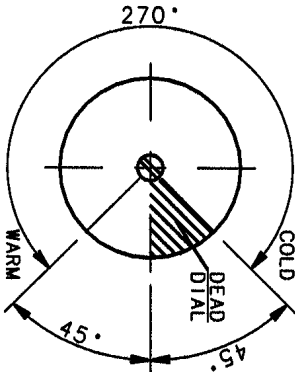
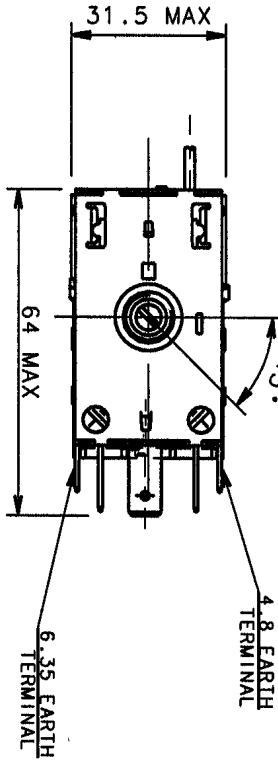
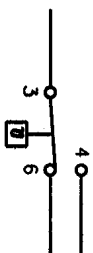
SWITCH RATINGS:

3-6 6(6)A 250 VAC

THE SETTINGS ARE REFERRING TO THE TERMINALS 3-4

CIRCUIT DIAGRAM

3-4 CLOSURES ON TEMP. RISE
3-6 OPENS ON TEMP. RISE



NOTES:-
1. RCL USE MTG. NUT 58175-3

DIAL LAYOUT
ROTATION CLOCKWISE
WARM TO COLD

MTG. NUT.	58175-4	1													
DESCRIPTION	PART N°														
SHIP UNASSEMBLED		K22-L1081-000													
CUSTOMER PART N°		CODE		BELLOWS		CUSTOMER SETTINGS AND TOLERANCES °C AT					CUSTOMER SETTINGS AND TOLERANCES °C AT 737 mm Hg				

FRANCO

OUTLINE
DIMENSION DRAWING
TYPE K22 CONTROL

DRG. SIZE: **A3**

DEV. NO: **8411133**

SHEET **1** OF **1**

REVISIONS

DRN	ENG	CHK	REV DATE	REV
P.S.	B.F.	S.P.	0250282L	—

RELEASED

IT IS NOT ALLOWED TO REPRODUCE OR GIVE THIS DRAWING TO ANY PERSONS OR COMPANY WITHOUT WRITTEN PERMISSION FROM FRANCO.

ALL DIM. IN MM ALL TOL. IN µm

DIMENSIONS WITHOUT TOLERANCE

0 - 5: ±150 >16 - 50: ±300
36-16: ±200 > 50: ±400

△ 4°

USED ON: **K22** DRN: **PS** 3 PLACE DEC.DIM.

ENG: **BF** 2 PLACE DEC.DIM.

CHK: **SP**

DO NOT SCALE