

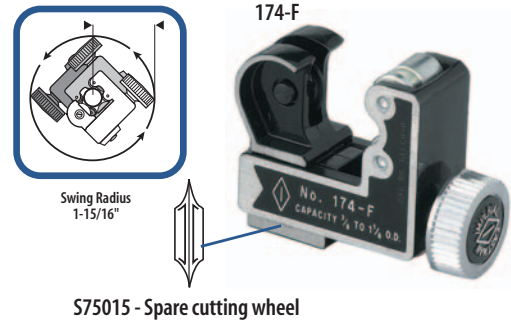
For hard or soft copper, aluminum, brass, thin wall steel, stainless steel, monel, titanium and other tubing.

METAL TUBING

"BIG IMP"™ TUBE CUTTER - "Big capacity in small size"

For 3/8" to 1-1/8" (10 mm to 28 mm) O.D. tubing.

174-F Includes (2) S75015 general-purpose cutter wheels. Swing radius 1-15/16" (2-1/4" swing radius with 1-1/8" tube). Length 2-11/16". Wt. 5.0 oz.



ADJUST-O-MATIC™ TUBE CUTTERS

For 3/8" to 2-5/8" and 2" to 4-1/8" O.D. tubing.

- Ratchet feed mechanism speeds up cutting operation.
- Extra wide rollers with flare cut-off groove stabilize tubing.
- Spare cutting wheel included under handle cap.
- Enclosed screw-type feed mechanism; lightweight aluminum alloy body.

206-FB For 3/8" to 2-5/8" and 10 mm to 66 mm O.D. tubing. Includes (2) S74761 general-purpose cutter wheels. Length closed 7-3/4". Wt. 2.0 lbs.

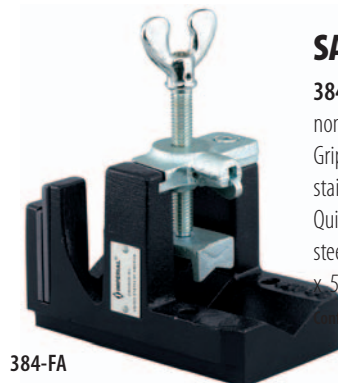
206-FBP Cuts schedule 40 PVC pipe up to 2". Includes one cutter wheel for PVC S10000770 and one general-purpose cutter wheel S74761.

406-FA For 2" to 4-1/8" and 51 mm to 104 mm O.D. tubing. Includes (2) S74833 general-purpose cutter wheels. Length closed 11-1/4". Wt. 3.5 lbs.

Conforms to Federal Specification GGG-C-771d, Type II, Class I.



<p>RATCHET FEED Ratchet release opens cutter instantly to maximum size.</p>	<p>RATCHET FEED Push on handle to slide cutting wheel to tubing. Rotate handle for fine adjustment.</p>	<p>FLARE CUT-OFF GROOVE Wide flare cut-off groove in rollers to accommodate flares on large size tubing.</p>	<p>SPARE CUTTING WHEEL Spare cutting wheel included in handle under snap-off cap.</p>
--	--	---	--



SAWING VISE

384-FA For 1/8" to 1-1/2" and 4 mm to 28 mm O.D. tubing. Cuts metal and non-metal tubing. Designed for stainless steel tubing that requires flaring. Grips tube or hose securely for perfect right angle cuts. Excellent for holding stainless steel tubing and wire braided hose when cutting with a hacksaw. Quick clamp adjustment with instant tube release. Replaceable hardened steel hacksaw guides. Fastens on bench or clamp in vise. Size: 5" x 3-1/8" x 5-1/8". Wt. 2.5 lbs.

Conforms to Federal Specification GGG-V-436d.