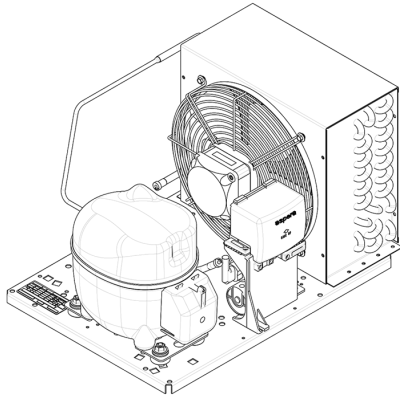


UNEK2168GK



ENGINEERING CODE
559FA5304AA



REFRIGERANT
R-404A



POWER SUPPLY
220-240 V 50 Hz



APPLICATION
LBP



MOTOR TYPE
CSR



STANDARD
ASHRAE



COOLING CAPACITY
753 W



EFFICIENCY
1.36 W/W

CE

ECODESIGN
COMPLIANT

DATA

GENERAL DATA

Model UNEK2168GK

ELECTRICAL DATA

Locked Rotor Amperage (LRA) 18.50 A

Rated Load Amperage (RLA) 4.20 A

Maximum Overcurrent Protection (MOP) 9.45 A

Minimum Current Ampacity (MCA) 5.3 A

CONDENSING COMPONENTS

Compressor	NEK2168GK	LBP
Condenser	4R11T	2451217
Refrigerant	R-404A	
Expansion Device	C-V	
Fan Blade Diameter	254 mm	
Fankit	16W 254/28/5B	1996609

MECHANICAL DATA

Air Flow	460 m ³ /h
Height	296 mm
Shaft Power	16 W
Weight	22 Kg
Width	340 mm
Length	499 mm

PERFORMANCE

TESTED CONDITIONS

Tested Refrigerant	R-404A
Tested Application	LBP
Tested Standard	ASHRAE

RATED POINTS

Ambient Temperature °C	Evaporating Temperature °C	Cooling Capacity W	Efficiency W/W	Consumo de Potencia W
32	-23.3	753	1.36	555

Test Condition: Subcooling 3 K, Return Gas 32 °C.

PERFORMANCE CURVE

Ambient Temperature 25°C

Evaporating Temperature °C	Cooling Capacity W	Efficiency W/W	Consumo de Potencia W
-40	414	1.06	392
-30	629	1.32	477
-25	792	1.51	525
-20	979	1.70	576
-15	1181	1.86	634
-10	1391	1.99	699

Test Condition: Subcooling 3 K, Return Gas 32 °C.

PERFORMANCE CURVE

Ambient Temperature 32°C

Evaporating Temperature °C	Cooling Capacity W	Efficiency W/W	Consumo de Potencia W
-40	370	0.97	383
-30	552	1.15	482
-25	697	1.30	536
-20	868	1.46	595
-15	1055	1.60	660
-10	1250	1.71	732

Test Condition: Subcooling 3 K, Return Gas 32 °C.

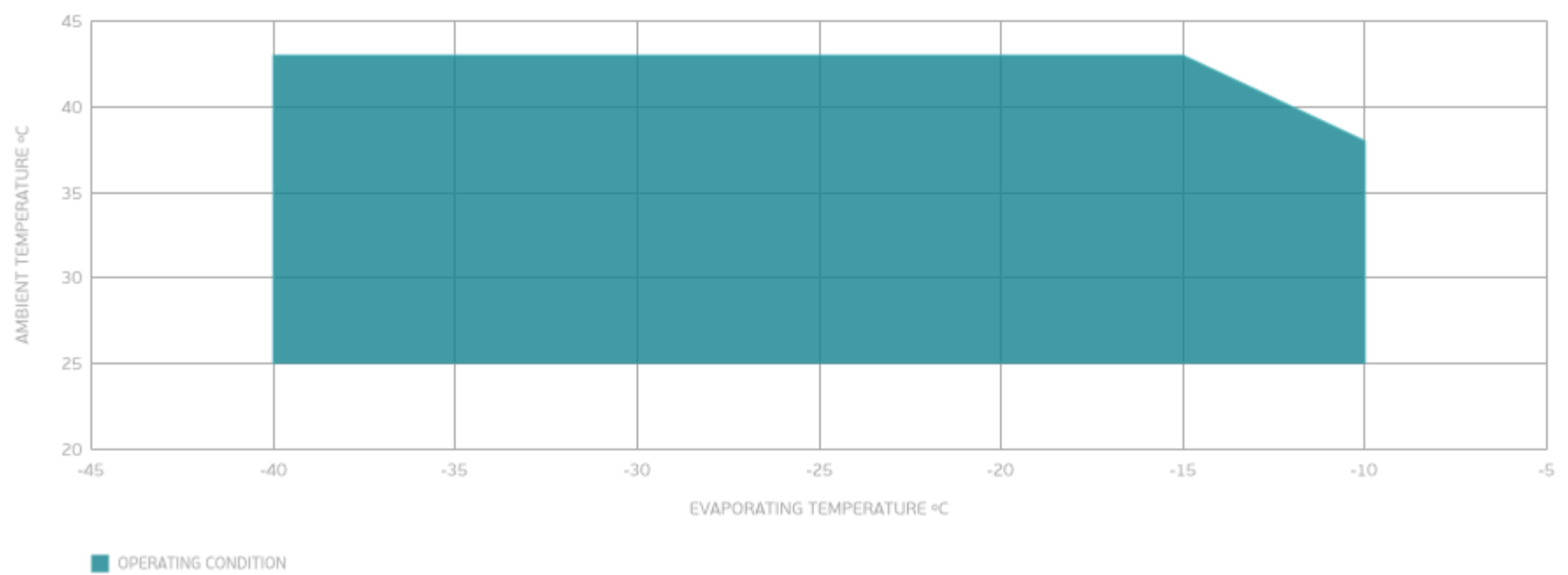
PERFORMANCE CURVE

Ambient Temperature 43°C

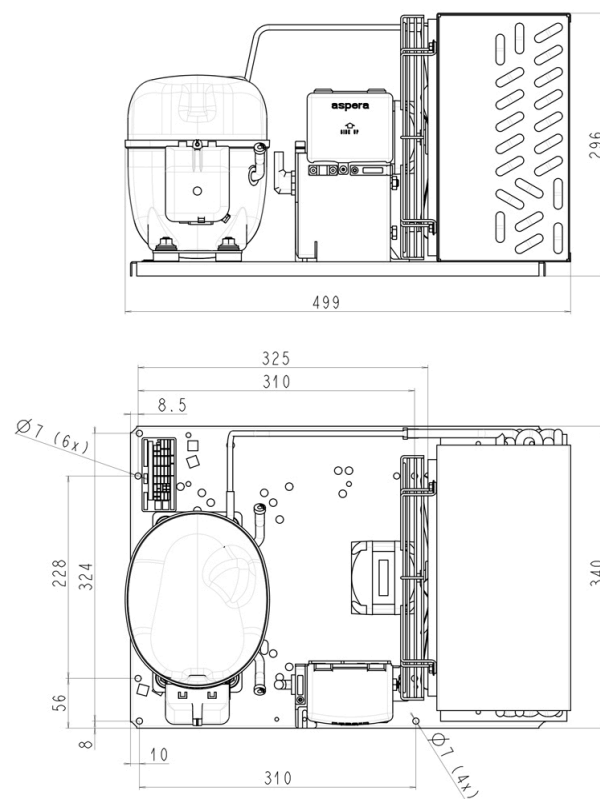
Evaporating Temperature °C	Cooling Capacity W	Efficiency W/W	Consumo de Potencia W
-40	338	0.87	389
-30	456	0.91	500
-25	571	1.02	561
-20	712	1.14	627
-15	870	1.24	699

Test Condition: Subcooling 3 K, Return Gas 32 °C.

ENVELOPE



EXTERNAL DIMENSIONS



WIRING DIAGRAM

