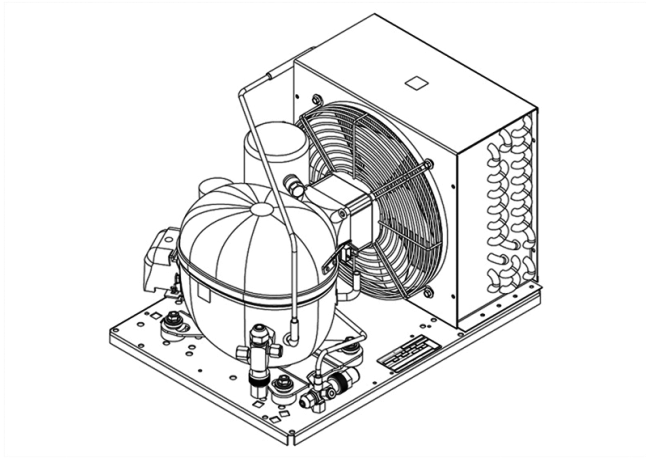


UNT2180GK



**ENGINEERING CODE**  
503HA5612AA



**REFRIGERANT**  
R-404A



**POWER SUPPLY**  
220-240 V 50 Hz



**APPLICATION**  
LBP



**MOTOR TYPE**  
CSIR



**STANDARD**  
ASHRAE



**COOLING CAPACITY**  
1006 W



**EFFICIENCY**  
1.33 W/W

CE

ECODESIGN  
COMPLIANT

DATA

GENERAL DATA

**Model** UNT2180GK

ELECTRICAL DATA

**Locked Rotor Amperage (LRA)** 35.00 A

**Rated Load Amperage (RLA)** 5.80 A

**Maximum Overcurrent Protection (MOP)** 13.05 A

**Minimum Current Ampacity (MCA)** 7.3 A

ACCESSORIES

**Discharge valve** SOLDER 1/4" 2110047

**Suction valve** SOLDER 3/8" 2110049

CONDENSING COMPONENTS

**Compressor** NT2180GK LBP

**Condenser** 4R11T 2451217

**Refrigerant** R-404A

**Expansion Device** C-V

**Fan Blade Diameter** 254 mm

**Fankit** 16W 254/28/5B 1996579

## MECHANICAL DATA

Air Flow	460 m <sup>3</sup> /h
Height	296 mm
Receiver	1.2 L
Shaft Power	16 W
Weight	29 Kg
Width	340 mm
Length	474 mm

## PERFORMANCE

### TESTED CONDITIONS

Tested Refrigerant	R-404A
Tested Application	LBP
Tested Standard	ASHRAE

### RATED POINTS

Ambient Temperature °C	Evaporating Temperature °C	Cooling Capacity W	Efficiency W/W	Consumo de Potencia W
32	-23.3	1006	1.33	759

Test Condition: Subcooling 3 K, Return Gas 32 °C.

### PERFORMANCE CURVE

Ambient Temperature 25°C

Evaporating Temperature °C	Cooling Capacity W	Efficiency W/W	Consumo de Potencia W
-40	467	0.92	510
-30	828	1.32	626
-25	1008	1.44	698
-20	1194	1.53	783
-15	1392	1.58	883
-10	1606	1.60	1002

Test Condition: Subcooling 3 K, Return Gas 32 °C.

**PERFORMANCE CURVE**

Ambient Temperature 32°C

Evaporating Temperature °C	Cooling Capacity W	Efficiency W/W	Consumo de Potencia W
-40	446	0.89	500
-30	773	1.19	648
-25	945	1.29	729
-20	1129	1.38	819
-15	1332	1.45	920
-10	1558	1.51	1034

Test Condition: Subcooling 3 K, Return Gas 32 °C.

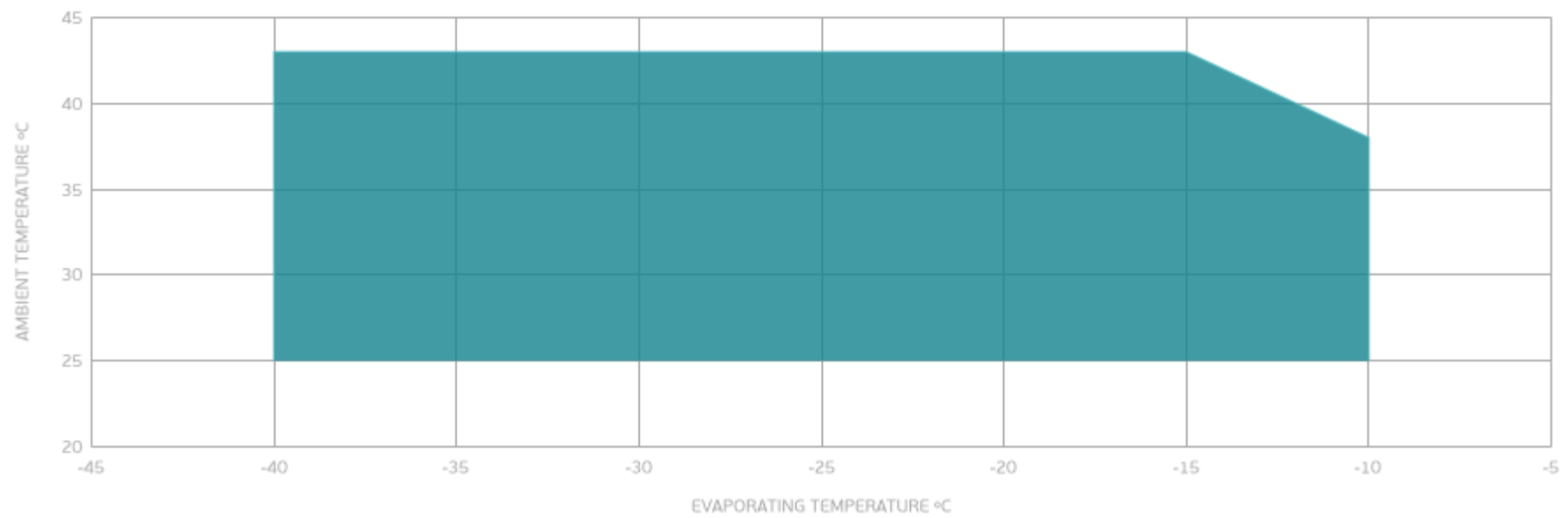
**PERFORMANCE CURVE**

Ambient Temperature 43°C

Evaporating Temperature °C	Cooling Capacity W	Efficiency W/W	Consumo de Potencia W
-40	329	0.70	471
-30	598	0.89	672
-25	757	0.99	768
-20	938	1.08	865
-15	1147	1.19	966

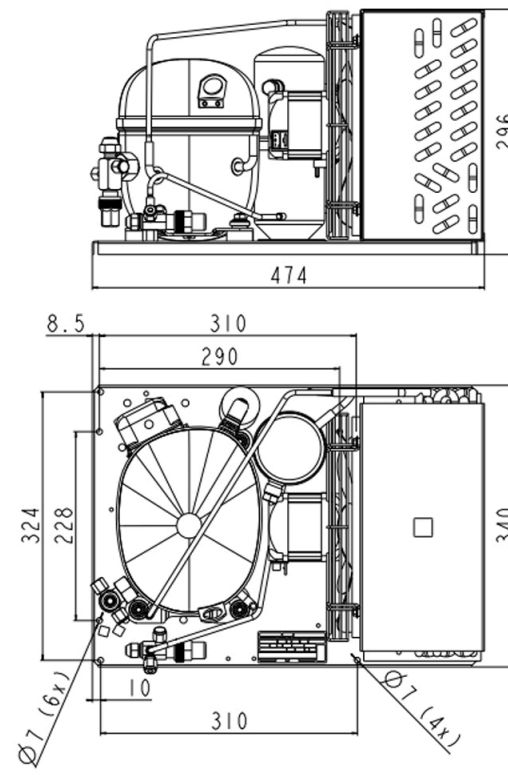
Test Condition: Subcooling 3 K, Return Gas 32 °C.

**ENVELOPE**



■ OPERATING CONDITION

## EXTERNAL DIMENSIONS



## WIRING DIAGRAM

