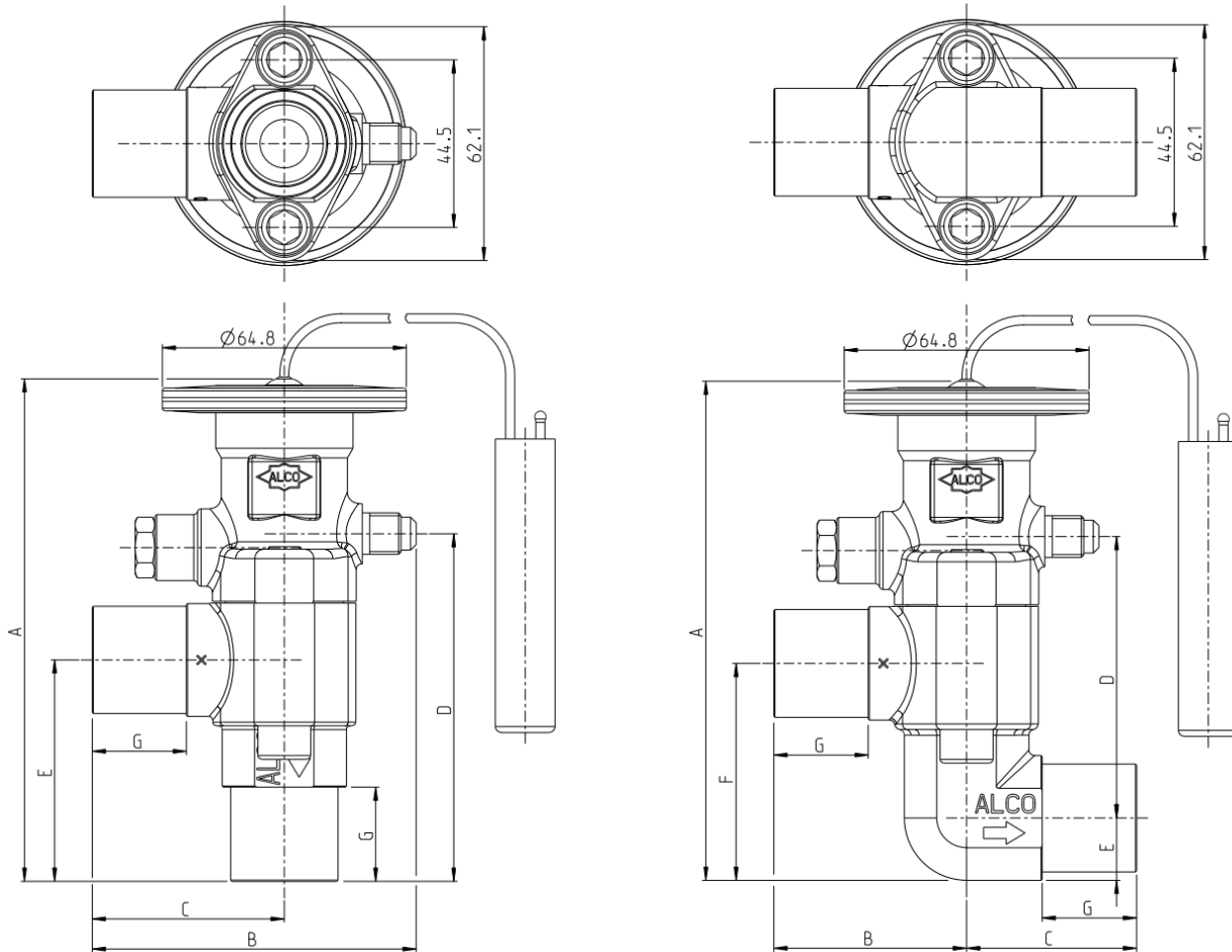


Dimensions TERE/LERE, TIRE/LIRE, THRE XC726 (mm)



Angle Style Flanges Type 9153, 9153-MM for TERE, TIRE

Connections		Lay-in length		A	B	C	D	E	F	G	Weight kg
		Inlet	Outlet								
22	22 ODF	19	19	140	87	51	92	59		23	1,4
7/8	7/8 ODF	19	19	140			92	59		25	1,4

Angle Style Flanges Type 9149 for THRE

22,2	22,2 ODF	19	19	154	87	51	106	73		25	1,45
7/8	7/8 ODF	19	19	154			106	73		25	1,45

Straight Through Flanges Type 9152 for TERE, TIRE 28849+

22,2	22,2 ODF	19	19	139	51	45	74	16,5	58	25	1,5
7/8	7/8 ODF	19	19	139							1,5

Straight through Flanges Type 9148 for THRE

22,2	22,2 ODF	19	19	139	51	45	74	16,5	58	25	1,45
7/8	7/8 ODF	19	19	139							1,45