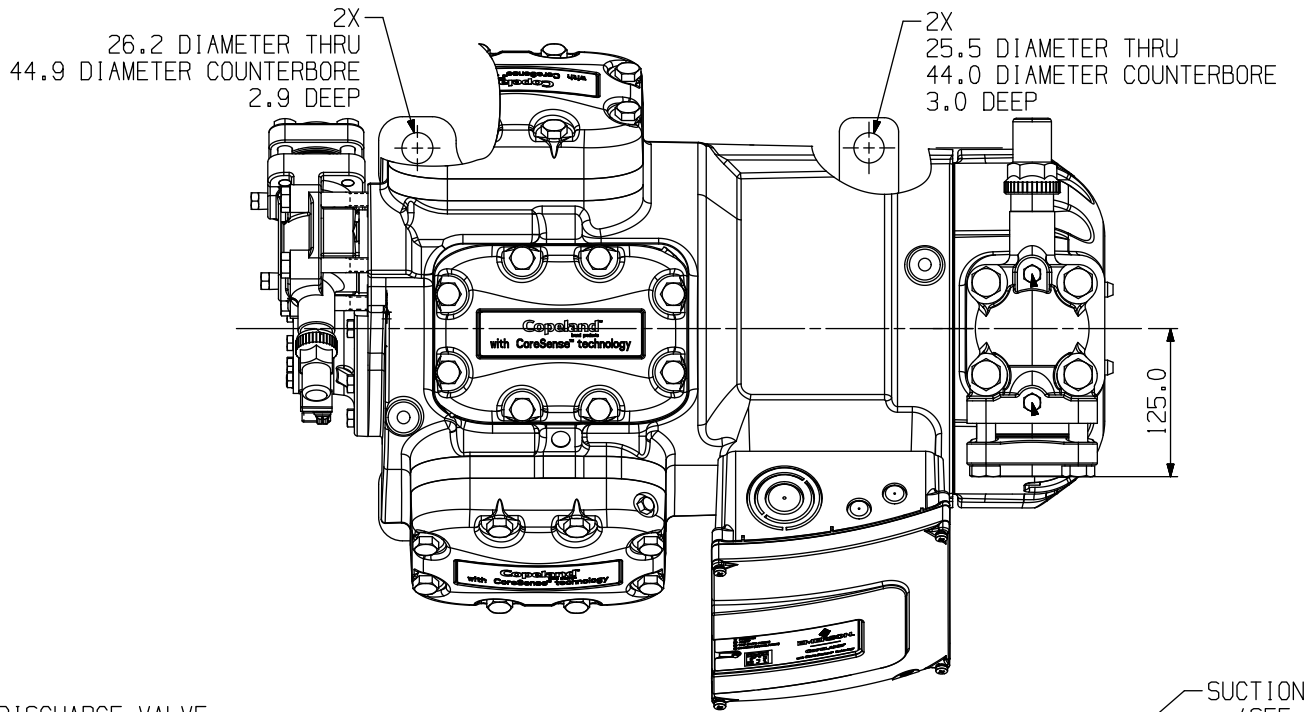


| MODEL NO. | A | B | C | D | SUCTION VALVE |
|----------------------|-----|-----|-------|-----|------------------------------------------------------|
| 6MJ*-45* 6MT*-35* | 729 | 206 | 137.8 | 446 | 2 1/8 ODS I.D.-54.1 / O.D.-60.0 LENGTH-28.0 |
| 6MK*-50* | 776 | 255 | 186.7 | 445 | 2 5/8 ODS I.D.-66.9 / O.D.-73.5 LENGTH-28.0 |
| 6MU*-40* | 759 | 238 | 169.8 | 445 | 2 5/8 ODS I.D.-66.9 / O.D.-73.5 LENGTH-28.0 |



DISCHARGE VALVE
1 5/8 ODS
I.D.-41.3 / O.D.-46.0
LENGTH-16.0

