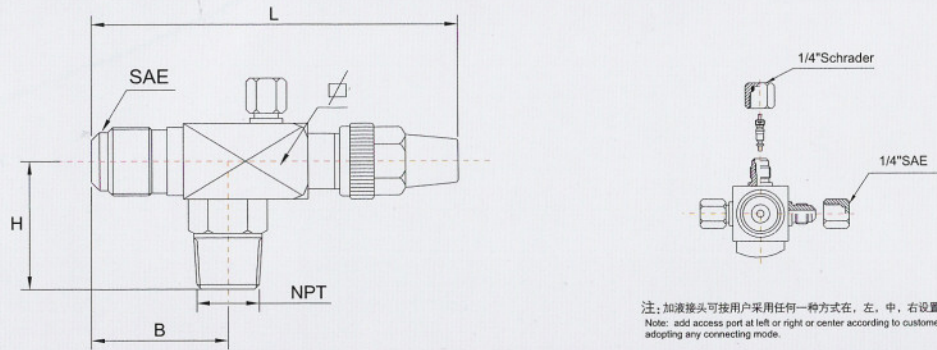


# 带锥螺纹阀 With NPT Valves

# PRO-VALVES



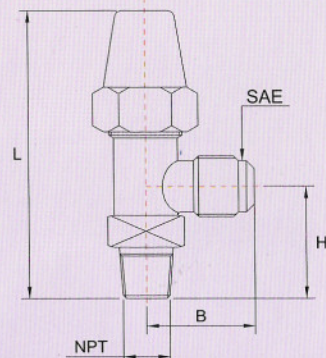
## DIMENSION



## SPECIFICATION (说明)

绿园编号 Model	阀体四方 “□” mmX mm	SAE FLARE (扩口)	NPT	H mm (毫米)	B mm (毫米)	L mm (毫米)
CAV01	□ 20	1/4"	1/4"	33	33.5	100
CAV02		3/8"	1/4"	33	33.5	100
CAV03		1/4"	3/8"	35	33.5	100
CAV04		3/8"	3/8"	35	33.5	100
CAV05		1/2"	3/8"	35	33.5	100
CAV06	□ 22	3/8"	1/2"	37	43	113
CAV07		1/2"	1/2"	37	43	113
CAV08		5/8"	1/2"	37	43	113
CAV09	□ 30	5/8"	3/4"	50	52	143
CAV10		3/4"	3/4"	50	52	143
CAV11		7/8"	3/4"	50	52	143

## DIMENSION



绿园编号 Model	SAE FLARE (扩口)	NPT	H mm (毫米)	B mm (毫米)	L mm (毫米)
CAV12	1/4"	1/4"	26	25	77
CAV13	3/8"	1/4"	26	27	77
CAV14	1/4"	3/8"	27	25	78.5
CAV15	3/8"	3/8"	27	27	78.5
CAV16	1/2"	3/8"	37	34	97
CAV17	3/8"	1/2"	37	32	100
CAV18	1/2"	1/2"	37	34	100
CAV19	5/8"	1/2"	37	34	100
CAV20	5/8"	3/4"	42.5	40	131
CAV21	3/4"	3/4"	42.5	42.5	131
CAV22	7/8"	3/4"	42.5	46	131