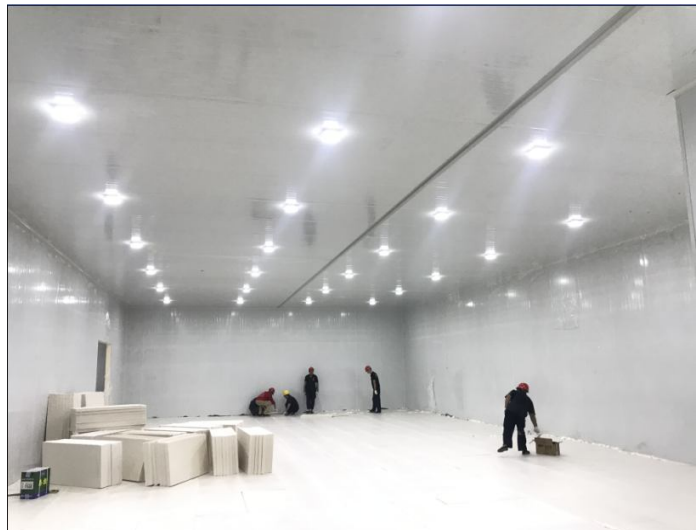
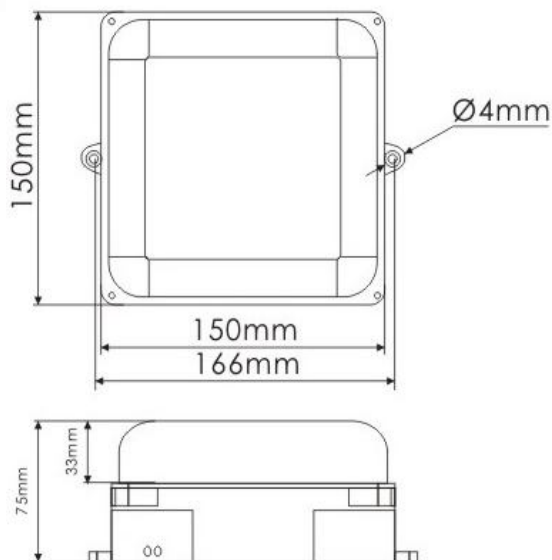


DATASHEET OF 4443 (25W)

Products Name	LED Cold Storage Light
Item No	4443
LED Quantity	72pcs SMD2835 LED, 1pc led = 0.5W
Max Power	25W
Lumen	About 2760LM
LED Lifetime	50000h
Beam Angle	120°C
Input Voltage	AC230V
Color Rendering Index	Ra>75
Color Temperature	6000-6500K Coolwhite
Material	PC base + PC cover + VDE Cable 1000mm + TUV driver+ Aluminum PCB board + SMD LED + Waterproof rubber ring
Protection Grade	IP65
Working Temperature	-25°C ~55°C
Working Humidity	10%~95 %
Installation	Ceiling, fixed by scerws
Products Size	150 x 150mm
Piece per master carton box	20pcs
Gross weight per master carton box	15.78kgs
Master carton box size	490 x 430 x 380mm



DATASHEET OF TUV Driver

Products Name	LED TUV Driver
Item No	XC-24W600-IEP
IP Class	IP67
Input Voltage	100-240VAC
Output Voltage	23-42V
Rated Power	24W
Rated Current	600mA
Current Tolerance	±5%
Line Regulation	±3%
Load Regulation	±5%
Frequency Range	47 ~ 63Hz
Power Factor (Typ.)	PF>0.9 at full load
Efficiency (Typ.)	≥ 87%
AC Current (Typ.)	0.33A(MaX)
Dimension	137mm*40.5mm*31.5mm
Using temperature range	from -20 °C to 65 °C
Using humidity range	from 5 RH % to 95 RH %
Storage temperature range	from -20 °C to 80 °C
Storage humidity range	from 5 RH % to 95 RH %

