

CATEGORY : CAT II / A1



GVN
Refrigeration Components

GVN STANDART

CE PG TÜV

VERTICAL LIQUID RECEIVERS

VLR 08

TECHNICAL INFORMATION

Cooler Fluid Type (Refrigerant)	R22,R134a,404A, R407C,R507A
Capacity (Volume)	8 Lt.
Operating Pressure (PS)	33 Bar.
Test Pressure (PT)	48 Bar.
Allowable Temperature (TS)	Min.-10°C / Max. 120°C
Packaging Size & Weight	
Drawn By	Tuncay TEKSEN
Approved	Mustafa DEMIRCI
Date	17.04.2013

CONNECTIONS

	CONNECTIONS	QTY
01	Inlet Connection	1/2" - ODS 1 Pcs.
02	Outlet Connection	1"-14 UNS 1 Pcs.
03	Safety Valve Connection	
04	Sight Glass	
05	Inlet - Rotalock Valve	
06	Outlet - Rotalock Valve	RVA-1/2" 1 Pcs.
07	Safety Valve	
08	Level Sensor Connection	
09	Liquid Level Sensor	
10	Blanking Cap (Plug)	
Colour		RAL 9005
Raw Material : DIN EN 10130:2006 DC04-7114		

PS :Please Contact Us For Special Connection Request

ALTERNATIVE CONNECTIONS FOR

ODS Inch - mm (dm)			
1/4" - Ø6 (6.7)	7/8" - Ø22 (22.2)	2 5/8" - Ø66 (67.0)	
3/8" - Ø9 (9.7)	1 1/8" - Ø28 (28.8)	3" - Ø76 (76.4)	
1/2" - Ø12 (12.2)	1 3/8" - Ø35 (35.2)	3 1/8" - Ø81.0 (81.0)	
5/8" - Ø16 (16.2)	1 5/8" - Ø42 (42.4)	3 1/2" - Ø89 (90.0)	
3/4" - Ø19 (19.2)	2 1/8" - Ø54 (54.4)	- Ø92 (93.0)	

ROVALOCK VALVE	SIGHT GLASSES	NPTF	FLARE
1"-14 UNS	SW36	1/4" NPTF	1/4" SAE
1 1/4"-12 UNF	SG-1 3/4"	1/2" NPTF	1/2" SAE
1 3/4"-12 UN	SG-2 1/4"	3/4" NPTF	5/8" SAE
2 1/4"-12 UN	DN80	1" NPTF	3/4" SAE

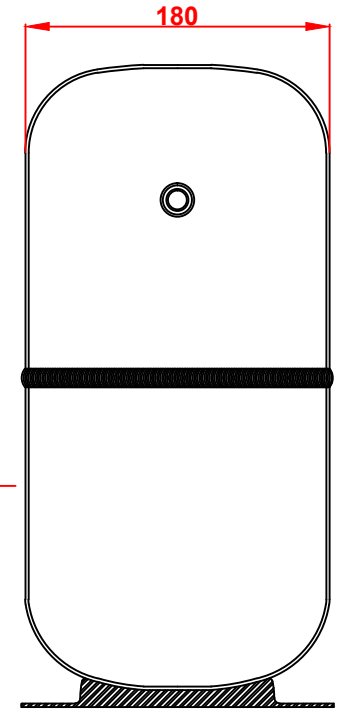
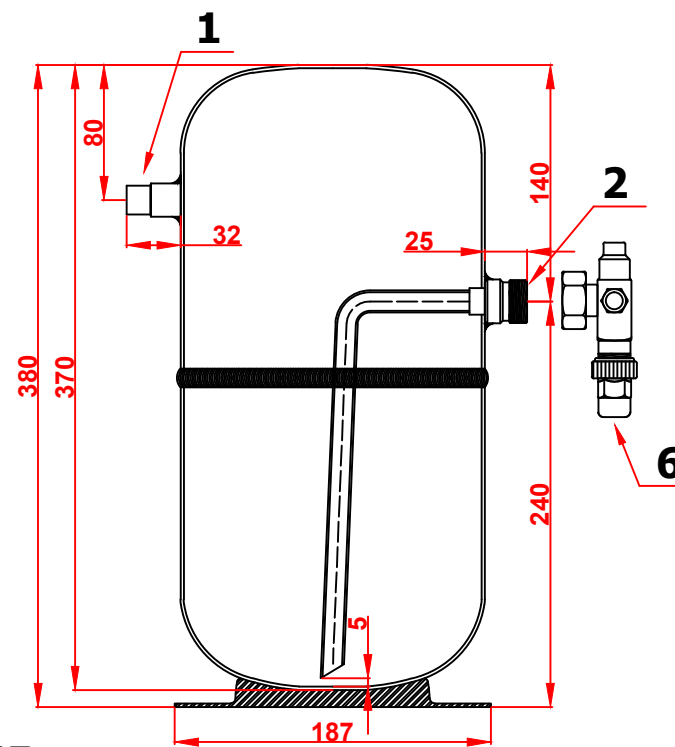
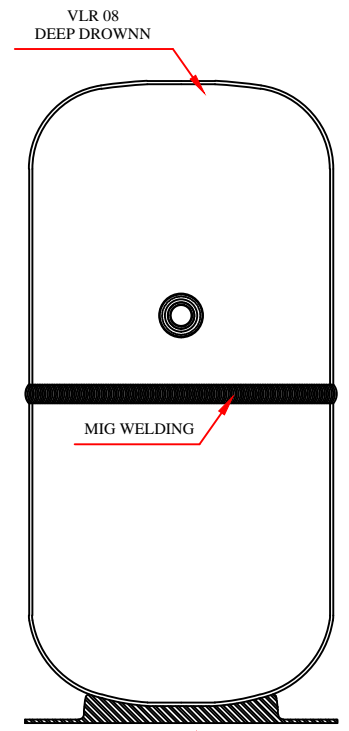
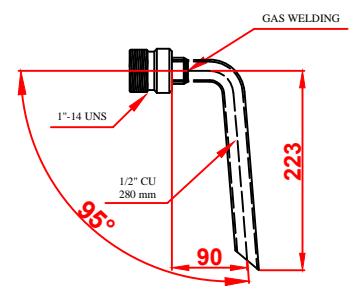
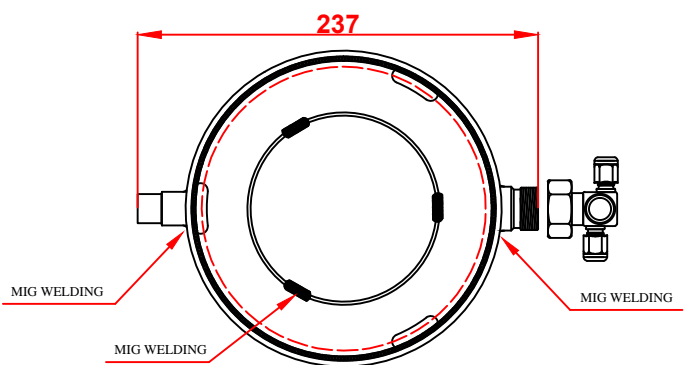
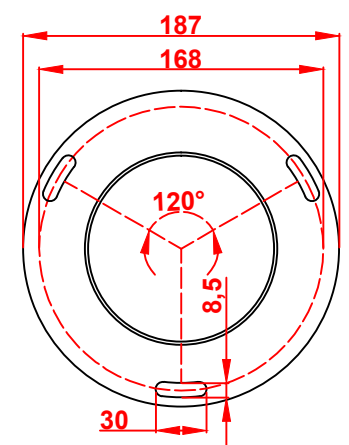
TOLERANS

DIN ISO 2768-mK	ISO E
0,5 - 6 mm	+ 0,1
6 - 30 mm	+ 0,2
30 - 120 mm	+ 0,3
120 - 400 mm	+ 0,5
400 - 1000 mm	+ 0,8

GUVEN SOGUTMA
Uniteeri San. ve Tic. Ltd. Şti.
www.gvn.com.tr

Tel. : +90 (212) 230 2113 - 232 4147
Fak. : +90 (212) 231 6395 - 2255296
Add : Dolapdere Cad. Lalezar Sok.
No:7, 34375, Pangalti, Istanbul, TURKEY
E-mail : info@gvensogutma.com

BEST QUALITY. BEST SERVICE. BEST PRICE **MADE IN TURKEY**



VFC-187

