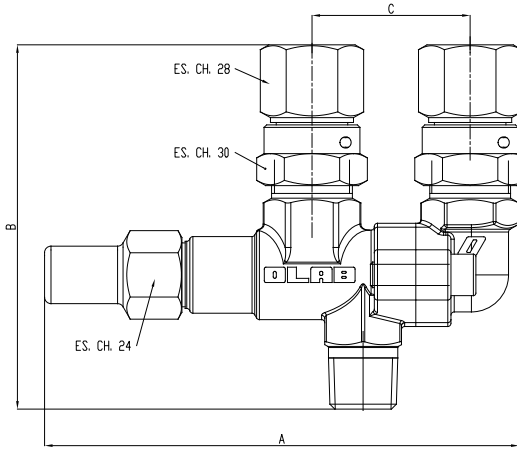


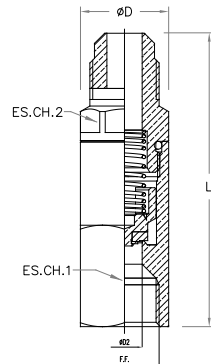
**40000**  
Safety Valves  
Emniyet Ventilleri

Order No	Code	Inlet Male	Outlet Male	Orifice $\phi$ [mm]	Discharge Coefficient "Kd"	PS [bar]	TS [°C]	Set Press. Range [bar]	Over Pressure	Blowdown	Category PED	Dimensions	
												A [mm]	ES.CH.1 [mm]
G1	40070-K2N2-0-280	1/4" NPT	3/8" SAE	7	0,6	28	- 50 / + 150	9 / 50	10% of set pressure	10% of set pressure	IV	35	20
G2	40070-K3N2-0-280	3/8" NPT	3/8" SAE			28							
G3	40095-K4N4-0-280	1/2" NPT	5/8" SAE			28							
G5	40095-K4N4-0-300	1/2" NPT	5/8" SAE	9,5	0,45	30						38,5	23
G6	40095-K4N4-0-450	1/2" NPT	5/8" SAE			45							



**42000**  
Changeover Valves  
Çift Yollu Emniyet  
Ventili bağlantısı

Order No	Code	Inlet Male	Outlet Female	Orifice $\phi$ [mm]	PS [bar]	TS [°C]	Over Pressure	Blowdown	Category PED	Dimensions		
										A [mm]	B [mm]	C [mm]
G22	42000-003-NP	1/2" NPT	1/2" NPT	13	80	- 35 / + 105	10% of set pressure	10% of set pressure	IV	151	114	49,5
G23	42000-003-HH	1/2" NPT	1/2" NPT	13	80	- 40 / + 150	10% of set pressure	10% of set pressure	IV	151	114	49,5



**3300-FM**  
Oil-Pressure Valves  
Yağ-Basınç Vanaları

Order No	Model	Pressure Setting (barg)	Kv Factor [m³/h]	PD [bar]	TS [°C]	Inlet Connection	Outlet Connection	Dimensions			
								L [mm]	$\phi$ D [mm]	ES.CH.1 [mm]	ES.CH.2 [mm]
S1	33002-FM-02-D-2	1,5 Fixed	1,5	45	- 40 / + 150	3/8" SAE Female	3/8" SAE Male	66,5	20	20	18
S2	33002-FM-03-D-2	3,0 Fixed									

The function of pressure valve is to control pressure in an oil reservoir. Basınç vanasının görevi yağ deposundaki basıncı kontrol altında tutmaktır.