

**YCQB SERIES****PRESSURE SENSORS  
YCQB**

Pressure sensors are widely used in Air Conditioning, Refrigeration and Heat Pump system. Using a 5V excitation input these sensors provide a 0.5-3.5 V or 0.5-4.5 V ratiometric signal output proportional to the pressure of the medium. This device requires no end user amplification. Pressure sensors permit to control and guarantee the system working under safe and stability condition.

**FEATURES**

- OVERALL FEATURES: APPLIED HIGH PERFORMANCE DIGITAL CIRCUIT WHICH HAS GOOD LINEAR, SMALL TEMPERATURE EXCURSION AND HIGH LEVEL OF ACCURACY OVER WIDE OPERATING RANGE;
- SMALL SIZE AND SIMPLE INSTALLATION;
- MODELS AVAILABLE WITH LEAD WIRE DIRECT CONNECTOR OR WITH PACKARD AND MOLEX SOCKET CONNECTIONS
- STABILITY: APPLIED SUPERIOR PRESSURE CORE, GOOD STABILITY UNDER STRICT PROCESS CONTROL;
- DIVERSIFICATION: DIFFERENT PRESSURE RANGES AND DIFFERENT LEVEL OF ACCURACY

**GENERAL SPECIFICATIONS**

- Applicable for HFC / HFO / flammables refrigerants and CO<sub>2</sub>
- Relative humidity: 0 to 95% RH
- Installation position: preferably with vertical axis and sensor upwards
- Certifications: UL/CSA and declaration according to EMC directive

**ELECTRICAL SPECIFICATIONS**

- Supply voltage: 5V ± 0.25V DC
- Current consumption: Max. 10 mA
- Response time: 10 ms
- Insulation resistance: Min. 100 MΩ
- Load resistance: Min. 10 kΩ
- Protection class: IP66/IP67

**PRESSURE SENSOR**



**MODEL DESIGNATION**

YCQ	B	02	L	xxxx	YCQ = Pressure Transmitter
YCQ	<b>B</b>	02	L	xxxx	B = Voltage output / C = Current Output
YCQ	B	<b>02</b>	L	xxxx	Pressure range 01 : between 0 and 10 bar 02 : between 0 and 20 bar 06 : between 0 and 60 bar 09 : between 0 and 90 bar 15 : between 0 and 150 bar
YCQ	B	02	<b>L</b>	xxxx	L = Thread / H= Solder
YCQ	B	02	L	<b>xxxx</b>	Digits for additional information

**GENERAL CHARACTERISTICS**

YCQB for High pressure use - G 1/4



Model Name	U11	Connection type	Pressure range	Max Working pressure	Electrical connection	Cable length	Output signal	Medium Temp.
			[bar]	[bar]	Type	[m]	[VDC]	°C
YCQB06L01*	10185067202	Flare 7/16-20UNF-2B	0-60	180	Packard	0	0.5 to 3.5	-40/+80
YCQB09L02*	10185044102	G 1/4	0-90	180	XHP	2	0.5 to 3.5	-30/+85
YCQB15L01	10185030302	G 1/4	0-150	225	XHP	2	0.5 to 4.5	-30/+85

\* suitable with Sanhua superheat controller SEC61.



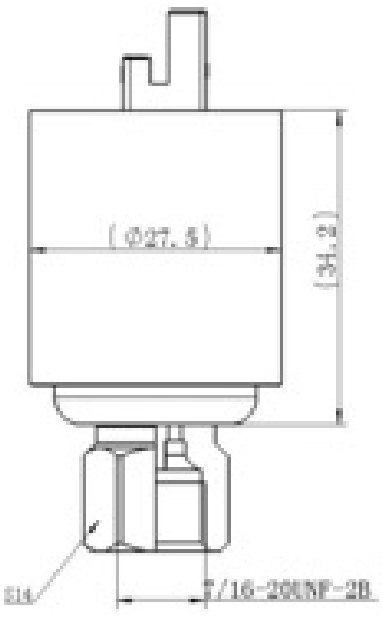
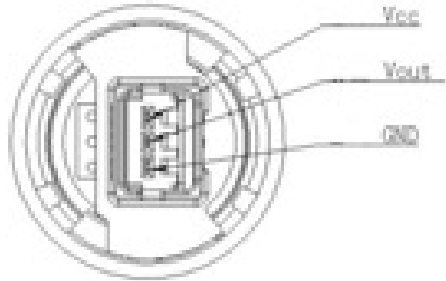
DIMENSIONS

Solder connector 1/4"	7/16-20UNF-2B	G 1/4	Electrical connector
			<p><b>XHP Connector</b></p> <p>1: Vcc - RED 2: VA(pr) - WHITE 3: GND - BLACK</p>
			<p><b>Packard connector</b></p>

# PRESSURE SENSOR



## DIMENSIONS

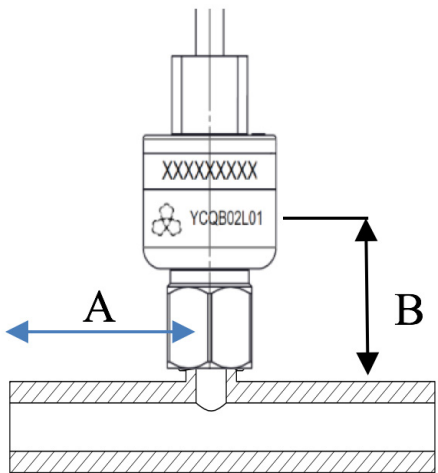
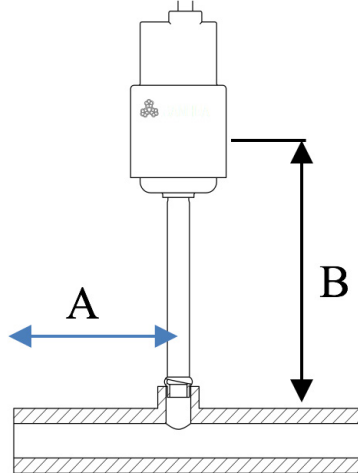
7/16-20UNF-2B	Electrical connector
	<p data-bbox="1045 571 1252 616"><b>Molex Socket</b></p> 

PRESSURE SENSOR



OPERATING TEMPERATURES

**YCQB or YCQC  
Flare and Brazed**

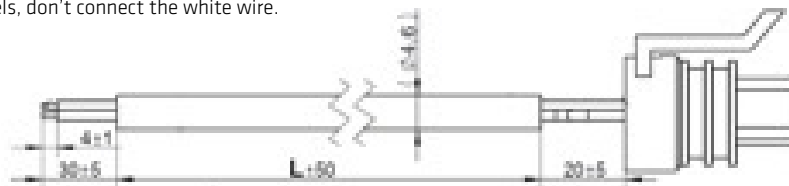
Maxi Medium Temperature	Ambient Temperature	Distance "A"	Distance "B" Flare	Distance "B" Brazed
[°C]	[°C]	[mm]	[mm]	[mm]
150	60	>30	40	70

ACCESSORIES

Packard Cables IP **55** with 3 wires

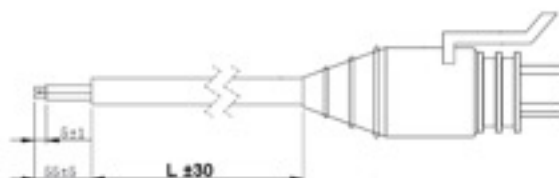
Model Name	Part Number	Connector Type	Total Cable Length	Terminal
YCQB02-013051	20185014302	Packard	1500 mm	Lead Wires
YCQB02-013052	20185013102	Packard	5000 mm	Lead Wires

**Note:** For usage with YCQC models, don't connect the white wire.



Packard Cables IP **67** with 3 wires

Model Name	Part Number	Connector Type	Total Cable Length	Terminal
YCQB02-013050	20185034002	Packard	1500 mm	Lead Wires
YCQB02-013056	20185034102	Packard	5000 mm	Lead Wires
YCQB02-013084	20185044902	Packard	8000 mm	Lead Wires

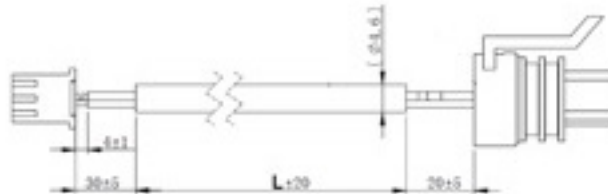


PRESSURE SENSOR



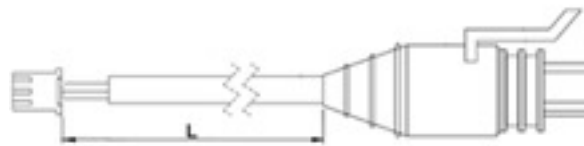
Packard Cables IP **55** + XHP connector with 3 wires

Model Name	Part Number	Connector Type	Total Cable Length	Terminal
YCQB02-013054	20185016702	Packard	6000 mm	XHP-3
YCQB02-013055	20185016802	Packard	9000 mm	XHP-3



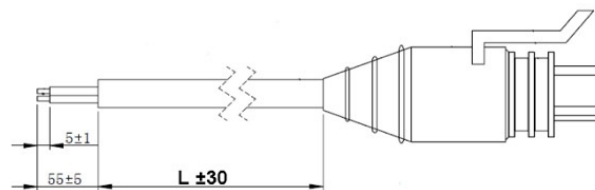
Packard Cables IP **67** + XHP connector with 3 wires

Model Name	Part Number	Connector Type	Total Cable Length	Terminal
YCQC02-013037	20185051102	Packard	2000 mm	XHP-3
YCQC02-013038	20185051202	Packard	5000 mm	XHP-3
YCQC02-013039	20185051302	Packard	9000 mm	XHP-3



Packard Cables IP **67** with 2 wires

Model Name	Part Number	Connector Type	Total Cable Length	Terminal
YCQC02-013034	20185046602	Packard	2000 mm	Lead Wires
YCQC02-013036	20185051002	Packard	4000 mm	Lead Wires



M12 cable with 2 wires

Model Name	Part Number	Connector Type	Total Cable Length	Terminal
YCQC02-013080	20185040302	M12	7000 mm	Wires with end cap

