

T-SERIES SMALL POWER ASSEMBLIES (CONTINUED)

VALVE TYPE	SYSTEM REFRIGERANT CODE	CHARGE CODE	CAP LENGTH	EQUALIZER	MODEL NUMBER	ITEM NUMBER
TCL, TCLE, TJLE, TJR	H (R-22)	W35 (MOP)	5 Ft.	External	XB-1019HW35-1B	089975
	H (R-22)	W55 (MOP)	5 Ft.	External	XB-1019HW55-1B	039152
	H (R-22)	W65 (MOP)	5 Ft.	External	XB-1019HW65-1B	089445
	H (R-22)	CA (Heat Pump)	5 Ft.	External	XB-1019HCA-1B	056039
	H (R-22)	Z (Low Temp.)	10 Ft.	External	XB-1019HZ-2B	054105
	H (R-22)	Z (Low Temp.)	5 Ft.	External	XB-1019HZ-1B	040568
	H (R-22)	C (Med. Temp.)	10 Ft.	External	XB-1019HC-2B	054390
	H (R-22)	C (Med. Temp.)	20 Ft.	External	XB-1019HW-4B	055703
	H (R-22)	C (Med. Temp.)	5 Ft.	Internal	XB-1019HC-1A	062078
	H (R-22)	C (Med. Temp.)	5 Ft.	External	XB-1019HC-1B	053416
	M (R-134a)	W55 (MOP)	5 Ft.	External	XB-1019MW55-1B	057370
	M (R-134a)	Z (Low Temp.)	5 Ft.	External	XB-1019MZ-1B	061946
	M (R-134a)	C (Med. Temp.)	10 Ft.	External	XB-1019MC-2B	059548
	M (R-134a)	C (Med. Temp.)	5 Ft.	External	XB-1019MC-1B	057878
	N (R-407C)	W100 (MOP)	5 Ft.	External	XB-1019NW100-1B	063069
	N (R-407C)	C (Med. Temp.)	5 Ft.	External	XB-1019NC-1B	064837
	P (R-507)	W40 (MOP)	5 Ft.	External	XB-1019PW40-1B	064200
	P (R-507)	Z (Low Temp.)	5 Ft.	External	XB-1019PZ-1B	061951
	P (R-507)	C (Med. Temp.)	5 Ft.	External	XB-1019PC-1B	061949
	R (R-502)	W15 (MOP)	5 Ft.	External	XB-1019RW15-1B	070346
	R (R-502)	W35 (MOP)	5 Ft.	External	XB-1019RW35-1B	063644
	R (R-502)	W45 (MOP)	10 Ft.	External	XB-1019RW45-2B	055704
	R (R-502)	W45 (MOP)	5 Ft.	External	XB-1019RW45-1B	055881
	R (R-502)	W65 (MOP)	5 Ft.	External	XB-1019RW65-1B	063114
	R (R-502)	Z (Low Temp.)	10 Ft.	External	XB-1019RZ-2B	047358
	R (R-502)	Z (Low Temp.)	5 Ft.	External	XB-1019RZ-1B	046474
	R (R-502)	C (Med. Temp.)	10 Ft.	External	XB-1019RC-2B	054415
	R (R-502)	C (Med. Temp.)	5 Ft.	External	XB-1019RC-1B	052955
	S (R-404A)	W40 (MOP)	5 Ft.	External	XB-1019SW40-1B	059130
	S (R-404A)	W65 (MOP)	5 Ft.	External	XB-1019SW65-1B	063541
	S (R-404A)	Z (Low Temp.)	10 Ft.	External	XB-1019SZ-2B	061948
	S (R-404A)	C (Med. Temp.)	5 Ft.	External	XB-1019SC-1B	059189

STEP 1: Select Large Capacity Cage Kit

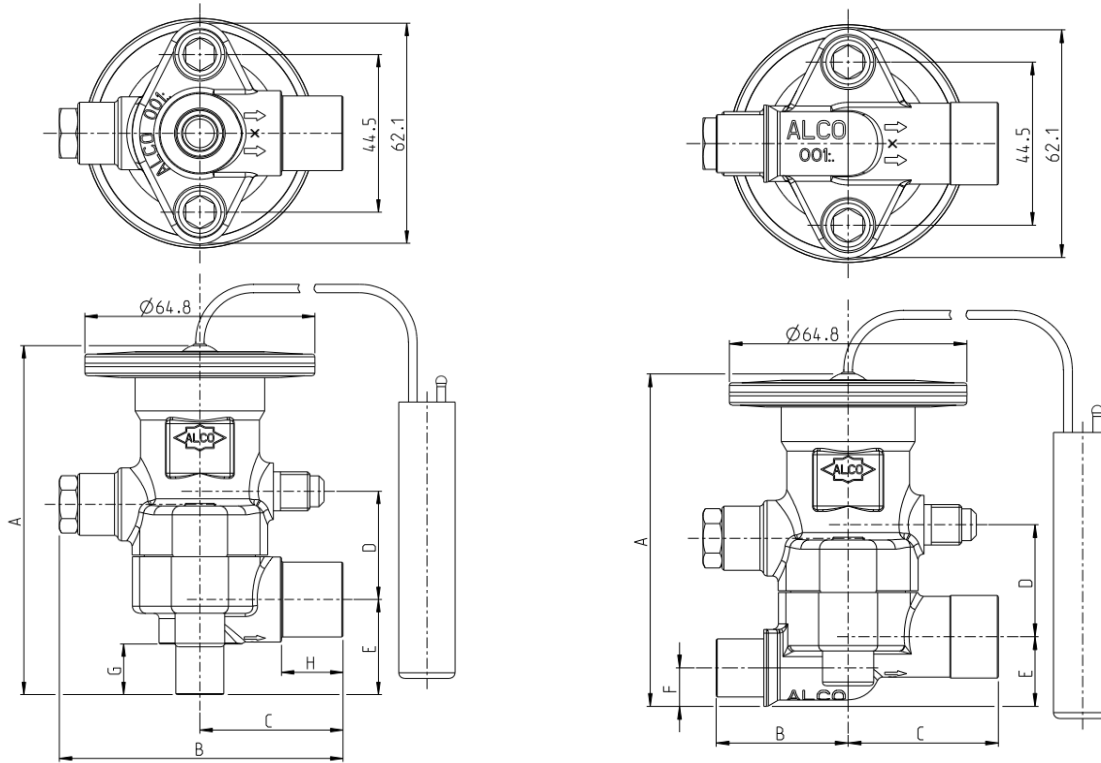
T-SERIES LARGE CAPACITY CAGE KITS

VALVE TYPE	NOMINAL CAPACITY - TONS						EQUALIZER	MODEL NUMBER	ITEM NUMBER
	R-12	R-134a	R-22	R-404A / R-507	R-407C	R-502			
TER	13	16	22	14	22	14	External	X-9117-B6B	077896
TER	15	19	26	16	26	16	External	X-9117-B7B	078117
TER	20	25	35	21	35	21	External	X-9117-B8B	071155
TER	25	31	45	27	45	27	External	X-9117-B9B	029429
TIR	35	45	55	37	55	37	External	X-9166-B10B	070738
THR	35	45	55	37	55	37	External	X-9144-B10B	071238
THR	45	55	75	48	70	48	External	X-9144-B11B	020846
THR	55	68	85	60	85	60	External	X-9144-B13B	021067
TMR	55	68	100	60	100	—	External	X-9144-B14B	065123



Capacity
Tables (Tons)

Dimensions TCLE/LCLE / XB1019 (mm)



Angle Style Flanges TCLE/LCLE

Connections		Lay-in length		A	B	C	D	E	F	G	H	Weight kg
		Inlet	Outlet									
3/8	1/2 SAE			106	78	39	30	29				1,1
3/8	5/8 SAE			106				29				
1/2	5/8 SAE			113				35				
10	12 ODF	14	17	105	77	37		27				
10	16 ODF	14	21	105	80	40		-				
12	16 ODF	18	21	108	80	40		-				
16	22 ODF	21	25	124	90	51	43	27	29			
3/8	1/2 ODF	14	17	105	77	37	27				1,1	
3/8	5/8 ODF	14	21	105	80	40	27					
1/2	5/8 ODF	18	21	108	80	40	30					
5/8	7/8 ODF	21	25	124	90	51	34					43

Straight through Flanges TCLE/LCLE

3/8	1/2 SAE			95	45	50	31	17	10			1,2
3/8	5/8 SAE				45	55						
1/2	5/8 SAE				50	55						
10	12 ODF	8	10	95	36	40	31	9				1,1
10	16 ODF	8	13			41						
12	16 ODF	10	13			41						
3/8	1/2 ODF	8	10	97	36	40	31	9				1,1
3/8	1/2 ODF	8	13			41						
1/2	1/2 ODF	10	10			40						
1/2	5/8 ODF	10	13	95	41	41	33	10				1,15
1/2	7/8 ODF	10	19			49						
5/8	5/8 ODF	13	13			41						
5/8	7/8 ODF	13	19	95	41	49	33	10				1,15
5/8	1-18 ODF	19	13	98	49	60						
5/8	1-18 ODF	19	13	98	49	60						