

T-SERIES SMALL POWER ASSEMBLIES (CONTINUED)

VALVE TYPE	SYSTEM REFRIGERANT CODE	CHARGE CODE	CAP LENGTH	EQUALIZER	MODEL NUMBER	ITEM NUMBER
TCL, TCLE, TJLE, TJR	H (R-22)	W35 (MOP)	5 Ft.	External	XB-1019HW35-1B	089975
	H (R-22)	W55 (MOP)	5 Ft.	External	XB-1019HW55-1B	039152
	H (R-22)	W65 (MOP)	5 Ft.	External	XB-1019HW65-1B	089445
	H (R-22)	CA (Heat Pump)	5 Ft.	External	XB-1019HCA-1B	056039
	H (R-22)	Z (Low Temp.)	10 Ft.	External	XB-1019HZ-2B	054105
	H (R-22)	Z (Low Temp.)	5 Ft.	External	XB-1019HZ-1B	040568
	H (R-22)	C (Med. Temp.)	10 Ft.	External	XB-1019HC-2B	054390
	H (R-22)	C (Med. Temp.)	20 Ft.	External	XB-1019HW-4B	055703
	H (R-22)	C (Med. Temp.)	5 Ft.	Internal	XB-1019HC-1A	062078
	H (R-22)	C (Med. Temp.)	5 Ft.	External	XB-1019HC-1B	053416
	M (R-134a)	W55 (MOP)	5 Ft.	External	XB-1019MW55-1B	057370
	M (R-134a)	Z (Low Temp.)	5 Ft.	External	XB-1019MZ-1B	061946
	M (R-134a)	C (Med. Temp.)	10 Ft.	External	XB-1019MC-2B	059548
	M (R-134a)	C (Med. Temp.)	5 Ft.	External	XB-1019MC-1B	057878
	N (R-407C)	W100 (MOP)	5 Ft.	External	XB-1019NW100-1B	063069
	N (R-407C)	C (Med. Temp.)	5 Ft.	External	XB-1019NC-1B	064837
	P (R-507)	W40 (MOP)	5 Ft.	External	XB-1019PW40-1B	064200
	P (R-507)	Z (Low Temp.)	5 Ft.	External	XB-1019PZ-1B	061951
	P (R-507)	C (Med. Temp.)	5 Ft.	External	XB-1019PC-1B	061949
	R (R-502)	W15 (MOP)	5 Ft.	External	XB-1019RW15-1B	070346
	R (R-502)	W35 (MOP)	5 Ft.	External	XB-1019RW35-1B	063644
	R (R-502)	W45 (MOP)	10 Ft.	External	XB-1019RW45-2B	055704
	R (R-502)	W45 (MOP)	5 Ft.	External	XB-1019RW45-1B	055881
	R (R-502)	W65 (MOP)	5 Ft.	External	XB-1019RW65-1B	063114
	R (R-502)	Z (Low Temp.)	10 Ft.	External	XB-1019RZ-2B	047358
	R (R-502)	Z (Low Temp.)	5 Ft.	External	XB-1019RZ-1B	046474
	R (R-502)	C (Med. Temp.)	10 Ft.	External	XB-1019RC-2B	054415
	R (R-502)	C (Med. Temp.)	5 Ft.	External	XB-1019RC-1B	052955
	S (R-404A)	W40 (MOP)	5 Ft.	External	XB-1019SW40-1B	059130
	S (R-404A)	W65 (MOP)	5 Ft.	External	XB-1019SW65-1B	063541
	S (R-404A)	Z (Low Temp.)	10 Ft.	External	XB-1019SZ-2B	061948
	S (R-404A)	C (Med. Temp.)	5 Ft.	External	XB-1019SC-1B	059189

STEP 1: Select Large Capacity Cage Kit

T-SERIES LARGE CAPACITY CAGE KITS

VALVE TYPE	NOMINAL CAPACITY - TONS						EQUALIZER	MODEL NUMBER	ITEM NUMBER
	R-12	R-134a	R-22	R-404A / R-507	R-407C	R-502			
TER	13	16	22	14	22	14	External	X-9117-B6B	077896
TER	15	19	26	16	26	16	External	X-9117-B7B	078117
TER	20	25	35	21	35	21	External	X-9117-B8B	071155
TER	25	31	45	27	45	27	External	X-9117-B9B	029429
TIR	35	45	55	37	55	37	External	X-9166-B10B	070738
THR	35	45	55	37	55	37	External	X-9144-B10B	071238
THR	45	55	75	48	70	48	External	X-9144-B11B	020846
THR	55	68	85	60	85	60	External	X-9144-B13B	021067
TMR	55	68	100	60	100	—	External	X-9144-B14B	065123



Capacity
Tables (Tons)

T-SERIES

THERMOSTATIC EXPANSION VALVES

STEP 2: Select Large Capacity Flange

T-SERIES LARGE CAPACITY FLANGES

VALVE TYPE	CONFIGURATION	INLET CONNECTION	OUTLET CONNECTION	MODEL NUMBER	ITEM NUMBER
TER	Angle	7/8" ODF or 1-1/8" ODM	7/8" ODF or 1-1/8" ODM	9153	027919
TER	Straight Thru	7/8" ODF or 1-1/8" ODM	7/8" ODF or 1-1/8" ODM	9152	027918
TIR	Angle	7/8" ODF or 1-1/8" ODM	7/8" ODF or 1-1/8" ODM	9151	027926
TIR	Straight Thru	7/8" ODF or 1-1/8" ODM	7/8" ODF or 1-1/8" ODM	9150	028849
THR	Angle	1-1/8" ODM	1-1/8" ODM	9149	028030
THR	Straight Thru	1-1/8" ODM	1-1/8" ODM	9148	028032
TMR	Angle	1-1/8" ODM	1-1/8" ODM	9149-1	065124
TMR	Straight Thru	1-1/8" ODM	1-1/8" ODM	9148-1	065125

STEP 3: Select Power Assembly

POWER ASSEMBLY MODEL NOMENCLATURE - Example: XB-1019FC-1A

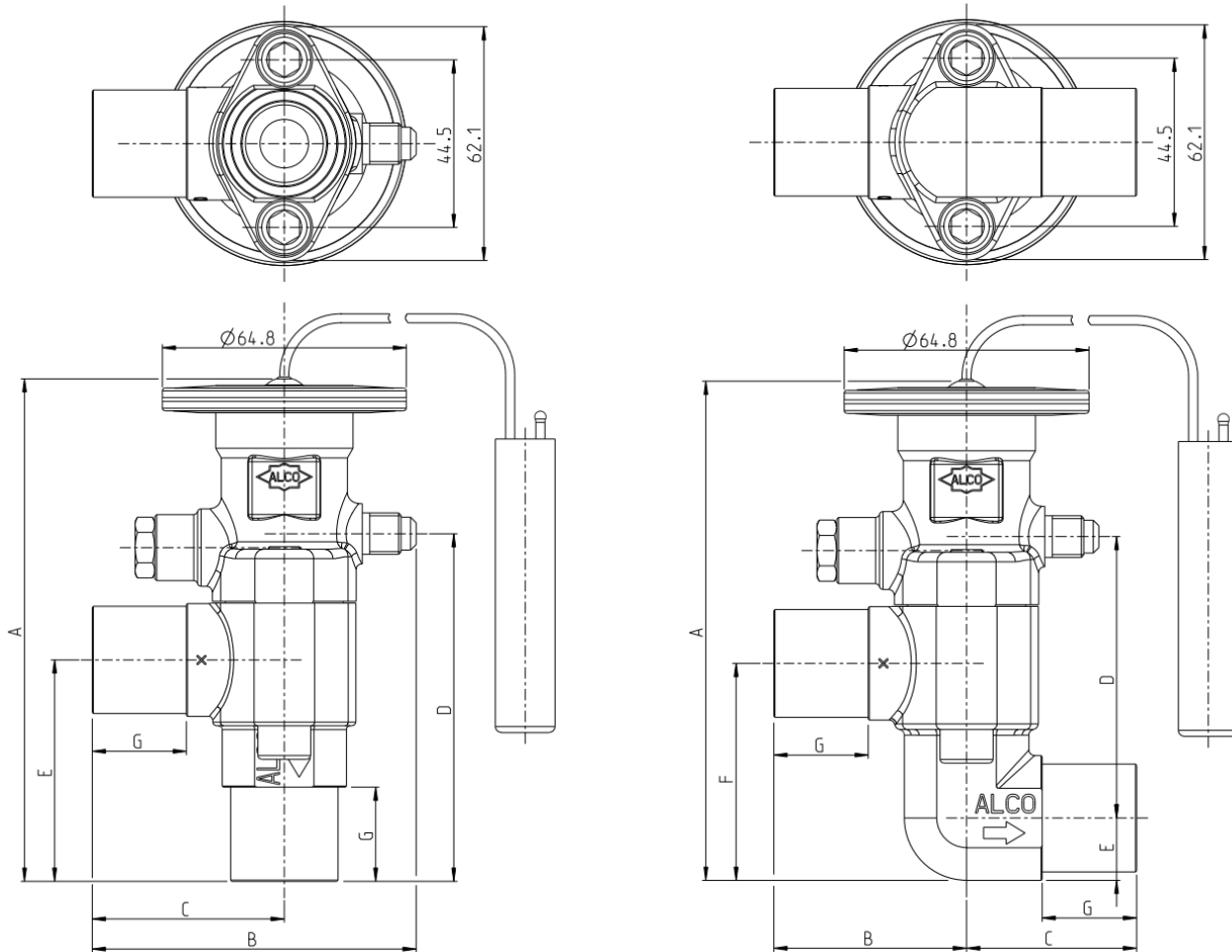
PRINT REFERENCE	SYSTEM REFRIGERANT CODE	CHARGE CODE	CAPILLARY TUBE LENGTH CODE	EQUALIZER
XB-1019	F	C	1	A
XB-1019 = Drawing Number	F = R-12 H = R-22 M = R-134a N = R-407C P = R-507 R = R-502 S = R-404A	C = Medium Temp. CA = Heat Pump W(MOP) = Press. Limiting Z = Low Temp.	1 = 5 Ft. 2 = 10 Ft. 3 = 15 Ft.	A = Internal B = External

T-SERIES LARGE POWER ASSEMBLIES

VALVE TYPE	SYSTEM REFRIGERANT CODE	CHARGE CODE	CAPILLARY TUBE	EQUALIZER	MODEL NUMBER	ITEM NUMBER
TER, TIR, THR, TMR	F (R-12)	W55 (MOP)	10 Ft.	External	XC-726FW55-2B	035000
	F (R-12)	C (Med. Temp.)	10 Ft.	External	XC-726FC-2B	052957
	H (R-22)	W100 (MOP)	10 Ft.	External	XC-726HW100-2B	036750
	H (R-22)	W35 (MOP)	10 Ft.	External	XC-726HW35-2B	024511
	H (R-22)	W65 (MOP)	10 Ft.	External	XC-726HW65-2B	025011
	H (R-22)	CA (Heat Pump)	10Ft.	External	XC-726HCA-2B	059333
	H (R-22)	Z (Low Temp.)	10 Ft.	External	XC-726HZ-2B	040569
	H (R-22)	C (Med. Temp.)	10 Ft.	External	XC-726HC-2B	056421
	M (R-134a)	M55 (MOP)	10 Ft.	External	XC-726MW55-2B	057372
	M (R-134a)	Z (Low Temp.)	10 Ft.	External	XC-726MZ-2B	063075
	M (R-134a)	C (Med. Temp.)	10 Ft.	External	XC-726MC-2B	057235
	R (R-502)	W15 (MOP)	10 Ft.	External	XC-726RW15-2B	023351
	R (R-502)	W35 (MOP)	10 Ft.	External	XC-726RW35-2B	070866
	R (R-502)	W65 (MOP)	10 Ft.	External	XC-726RW65-2B	071421
	R (R-502)	Z (Low Temp.)	10 Ft.	External	XC-726RZ-2B	046692
	R (R-502)	C (Med. Temp.)	10 Ft.	External	XC-726RC-2B	052958
	S (R-404A)	W40 (MOP)	10 Ft.	External	XC-726SW40-2B	063127
	S (R-404A)	W65 (MOP)	10 Ft.	External	XC-726SW65-2B	061692
	S (R-404A)	Z (Low Temp.)	10 Ft.	External	XC-726SZ-2B	063974
S (R-404A)	C (Med. Temp.)	10 Ft.	External	XC-726SC-2B	062303	
TCLE, TJLE, TJRE	R-12	Rapid Response	5 Ft.	External	X-8019FWS-1B	031654
	R-22	Rapid Response	10 Ft.	External	X-8019HWS-2B	055873
	R-22	Rapid Response	5 Ft.	External	X-8019HWS-1B	055652
	R-502	Rapid Response	10 Ft.	External	X-8019RWS-2B	042426
	R-502	Rapid Response	5 Ft.	Internal	X-8019RWS-1A	032131

NOTE: Nominal capacities shown here are based on 40°F evaporator temperature and 100°F vapor-free liquid refrigerant entering the valve. R-12 and R-134a rated at 60 PSID. All other refrigerants rated at 100 PSID.

Dimensions TERE/LERE, TIRE/LIRE, THRE **XC726 (mm)**



Angle Style Flanges Type 9153, 9153-MM for TERE, TIRE

Connections		Lay-in length		A	B	C	D	E	F	G	Weight kg
		Inlet	Outlet								
22	22 ODF	19	19	140	87	51	92	59		23	1,4
7/8	7/8 ODF	19	19	140			92	59		25	1,4

Angle Style Flanges Type 9149 for THRE

22,2	22,2 ODF	19	19	154	87	51	106	73		25	1,45
7/8	7/8 ODF	19	19	154			106	73		25	1,45

Straight Through Flanges Type 9152 for TERE, TIRE

22,2	22,2 ODF	19	19	139	51	45	74	16,5	58	25	1,5
7/8	7/8 ODF	19	19	139							1,5

Straight through Flanges Type 9148 for THRE

22,2	22,2 ODF	19	19	139	51	45	74	16,5	58	25	1,45
7/8	7/8 ODF	19	19	139							1,45