

T-SERIES SMALL POWER ASSEMBLIES (CONTINUED)

| VALVE TYPE | SYSTEM REFRIGERANT CODE | CHARGE CODE | CAP LENGTH | EQUALIZER | MODEL NUMBER | ITEM NUMBER |
|----------------------|-------------------------|----------------|------------|-----------|-----------------|-------------|
| TCL, TCLE, TJLE, TJR | H (R-22) | W35 (MOP) | 5 Ft. | External | XB-1019HW35-1B | 089975 |
| | H (R-22) | W55 (MOP) | 5 Ft. | External | XB-1019HW55-1B | 039152 |
| | H (R-22) | W65 (MOP) | 5 Ft. | External | XB-1019HW65-1B | 089445 |
| | H (R-22) | CA (Heat Pump) | 5 Ft. | External | XB-1019HCA-1B | 056039 |
| | H (R-22) | Z (Low Temp.) | 10 Ft. | External | XB-1019HZ-2B | 054105 |
| | H (R-22) | Z (Low Temp.) | 5 Ft. | External | XB-1019HZ-1B | 040568 |
| | H (R-22) | C (Med. Temp.) | 10 Ft. | External | XB-1019HC-2B | 054390 |
| | H (R-22) | C (Med. Temp.) | 20 Ft. | External | XB-1019HW-4B | 055703 |
| | H (R-22) | C (Med. Temp.) | 5 Ft. | Internal | XB-1019HC-1A | 062078 |
| | H (R-22) | C (Med. Temp.) | 5 Ft. | External | XB-1019HC-1B | 053416 |
| | M (R-134a) | W55 (MOP) | 5 Ft. | External | XB-1019MW55-1B | 057370 |
| | M (R-134a) | Z (Low Temp.) | 5 Ft. | External | XB-1019MZ-1B | 061946 |
| | M (R-134a) | C (Med. Temp.) | 10 Ft. | External | XB-1019MC-2B | 059548 |
| | M (R-134a) | C (Med. Temp.) | 5 Ft. | External | XB-1019MC-1B | 057878 |
| | N (R-407C) | W100 (MOP) | 5 Ft. | External | XB-1019NW100-1B | 063069 |
| | N (R-407C) | C (Med. Temp.) | 5 Ft. | External | XB-1019NC-1B | 064837 |
| | P (R-507) | W40 (MOP) | 5 Ft. | External | XB-1019PW40-1B | 064200 |
| | P (R-507) | Z (Low Temp.) | 5 Ft. | External | XB-1019PZ-1B | 061951 |
| | P (R-507) | C (Med. Temp.) | 5 Ft. | External | XB-1019PC-1B | 061949 |
| | R (R-502) | W15 (MOP) | 5 Ft. | External | XB-1019RW15-1B | 070346 |
| | R (R-502) | W35 (MOP) | 5 Ft. | External | XB-1019RW35-1B | 063644 |
| | R (R-502) | W45 (MOP) | 10 Ft. | External | XB-1019RW45-2B | 055704 |
| | R (R-502) | W45 (MOP) | 5 Ft. | External | XB-1019RW45-1B | 055881 |
| | R (R-502) | W65 (MOP) | 5 Ft. | External | XB-1019RW65-1B | 063114 |
| | R (R-502) | Z (Low Temp.) | 10 Ft. | External | XB-1019RZ-2B | 047358 |
| | R (R-502) | Z (Low Temp.) | 5 Ft. | External | XB-1019RZ-1B | 046474 |
| | R (R-502) | C (Med. Temp.) | 10 Ft. | External | XB-1019RC-2B | 054415 |
| | R (R-502) | C (Med. Temp.) | 5 Ft. | External | XB-1019RC-1B | 052955 |
| | S (R-404A) | W40 (MOP) | 5 Ft. | External | XB-1019SW40-1B | 059130 |
| | S (R-404A) | W65 (MOP) | 5 Ft. | External | XB-1019SW65-1B | 063541 |
| | S (R-404A) | Z (Low Temp.) | 10 Ft. | External | XB-1019SZ-2B | 061948 |
| | S (R-404A) | C (Med. Temp.) | 5 Ft. | External | XB-1019SC-1B | 059189 |

STEP 1: Select Large Capacity Cage Kit

T-SERIES LARGE CAPACITY CAGE KITS

| VALVE TYPE | NOMINAL CAPACITY - TONS | | | | | | EQUALIZER | MODEL NUMBER | ITEM NUMBER |
|------------|-------------------------|--------|------|----------------|--------|-------|-----------|--------------|-------------|
| | R-12 | R-134a | R-22 | R-404A / R-507 | R-407C | R-502 | | | |
| TER | 13 | 16 | 22 | 14 | 22 | 14 | External | X-9117-B6B | 077896 |
| TER | 15 | 19 | 26 | 16 | 26 | 16 | External | X-9117-B7B | 078117 |
| TER | 20 | 25 | 35 | 21 | 35 | 21 | External | X-9117-B8B | 071155 |
| TER | 25 | 31 | 45 | 27 | 45 | 27 | External | X-9117-B9B | 029429 |
| TIR | 35 | 45 | 55 | 37 | 55 | 37 | External | X-9166-B10B | 070738 |
| THR | 35 | 45 | 55 | 37 | 55 | 37 | External | X-9144-B10B | 071238 |
| THR | 45 | 55 | 75 | 48 | 70 | 48 | External | X-9144-B11B | 020846 |
| THR | 55 | 68 | 85 | 60 | 85 | 60 | External | X-9144-B13B | 021067 |
| TMR | 55 | 68 | 100 | 60 | 100 | — | External | X-9144-B14B | 065123 |



Capacity
Tables (Tons)

T-SERIES

THERMOSTATIC EXPANSION VALVES

STEP 2: Select Large Capacity Flange

T-SERIES LARGE CAPACITY FLANGES

| VALVE TYPE | CONFIGURATION | INLET CONNECTION | OUTLET CONNECTION | MODEL NUMBER | ITEM NUMBER |
|------------|---------------|------------------------|------------------------|--------------|-------------|
| TER | Angle | 7/8" ODF or 1-1/8" ODM | 7/8" ODF or 1-1/8" ODM | 9153 | 027919 |
| TER | Straight Thru | 7/8" ODF or 1-1/8" ODM | 7/8" ODF or 1-1/8" ODM | 9152 | 027918 |
| TIR | Angle | 7/8" ODF or 1-1/8" ODM | 7/8" ODF or 1-1/8" ODM | 9151 | 027926 |
| TIR | Straight Thru | 7/8" ODF or 1-1/8" ODM | 7/8" ODF or 1-1/8" ODM | 9150 | 028849 |
| THR | Angle | 1-1/8" ODM | 1-1/8" ODM | 9149 | 028030 |
| THR | Straight Thru | 1-1/8" ODM | 1-1/8" ODM | 9148 | 028032 |
| TMR | Angle | 1-1/8" ODM | 1-1/8" ODM | 9149-1 | 065124 |
| TMR | Straight Thru | 1-1/8" ODM | 1-1/8" ODM | 9148-1 | 065125 |

STEP 3: Select Power Assembly

POWER ASSEMBLY MODEL NOMENCLATURE - Example: XB-1019FC-1A

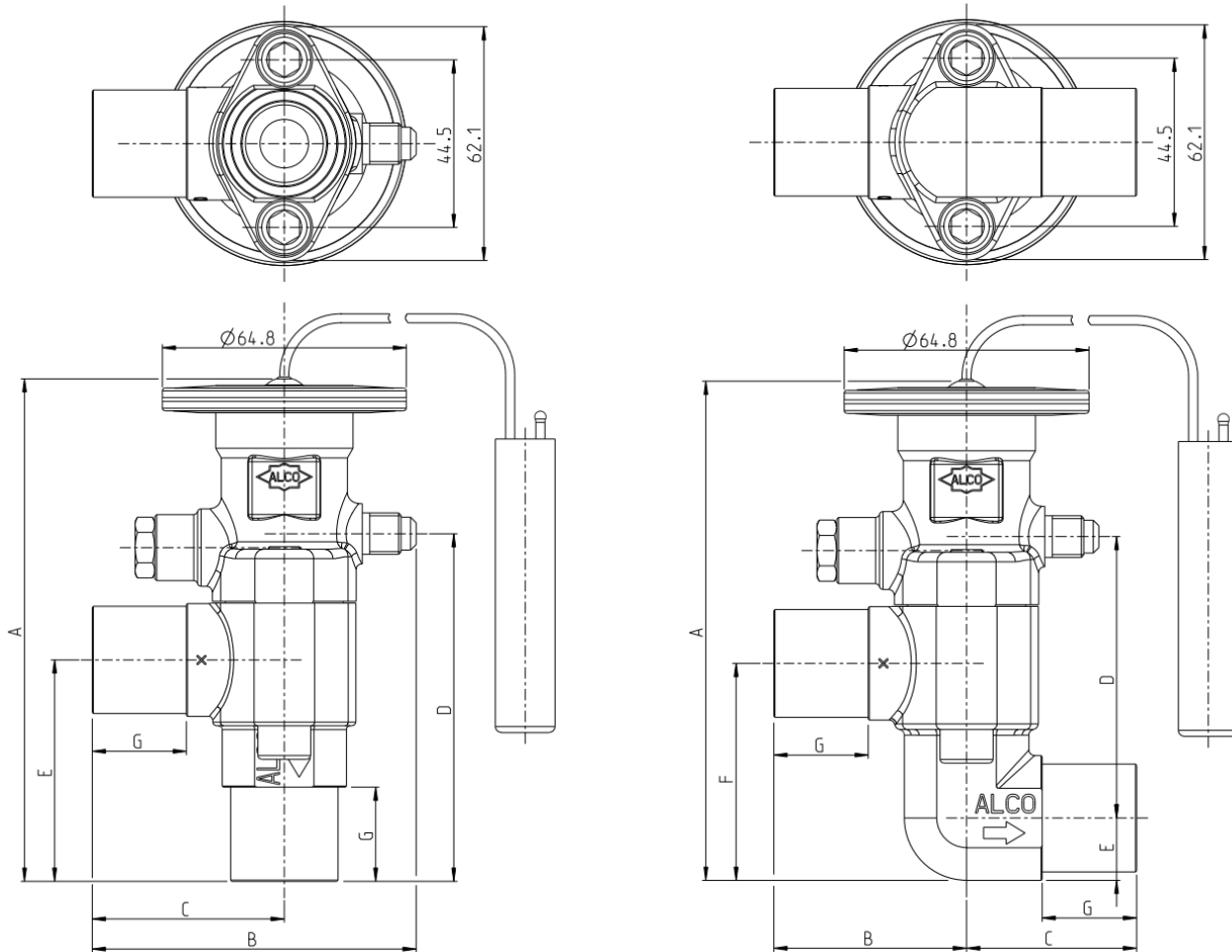
| PRINT REFERENCE | SYSTEM REFRIGERANT CODE | CHARGE CODE | CAPILLARY TUBE LENGTH CODE | EQUALIZER |
|--------------------------|--|---|---------------------------------------|------------------------------|
| XB-1019 | F | C | 1 | A |
| XB-1019 = Drawing Number | F = R-12 H = R-22 M = R-134a N = R-407C P = R-507 R = R-502 S = R-404A | C = Medium Temp. CA = Heat Pump W(MOP) = Press. Limiting Z = Low Temp. | 1 = 5 Ft. 2 = 10 Ft. 3 = 15 Ft. | A = Internal B = External |

T-SERIES LARGE POWER ASSEMBLIES

| VALVE TYPE | SYSTEM REFRIGERANT CODE | CHARGE CODE | CAPILLARY TUBE | EQUALIZER | MODEL NUMBER | ITEM NUMBER |
|--------------------|-------------------------|----------------|----------------|-------------|----------------|-------------|
| TER, TIR, THR, TMR | F (R-12) | W55 (MOP) | 10 Ft. | External | XC-726FW55-2B | 035000 |
| | F (R-12) | C (Med. Temp.) | 10 Ft. | External | XC-726FC-2B | 052957 |
| | H (R-22) | W100 (MOP) | 10 Ft. | External | XC-726HW100-2B | 036750 |
| | H (R-22) | W35 (MOP) | 10 Ft. | External | XC-726HW35-2B | 024511 |
| | H (R-22) | W65 (MOP) | 10 Ft. | External | XC-726HW65-2B | 025011 |
| | H (R-22) | CA (Heat Pump) | 10Ft. | External | XC-726HCA-2B | 059333 |
| | H (R-22) | Z (Low Temp.) | 10 Ft. | External | XC-726HZ-2B | 040569 |
| | H (R-22) | C (Med. Temp.) | 10 Ft. | External | XC-726HC-2B | 056421 |
| | M (R-134a) | M55 (MOP) | 10 Ft. | External | XC-726MW55-2B | 057372 |
| | M (R-134a) | Z (Low Temp.) | 10 Ft. | External | XC-726MZ-2B | 063075 |
| | M (R-134a) | C (Med. Temp.) | 10 Ft. | External | XC-726MC-2B | 057235 |
| | R (R-502) | W15 (MOP) | 10 Ft. | External | XC-726RW15-2B | 023351 |
| | R (R-502) | W35 (MOP) | 10 Ft. | External | XC-726RW35-2B | 070866 |
| | R (R-502) | W65 (MOP) | 10 Ft. | External | XC-726RW65-2B | 071421 |
| | R (R-502) | Z (Low Temp.) | 10 Ft. | External | XC-726RZ-2B | 046692 |
| | R (R-502) | C (Med. Temp.) | 10 Ft. | External | XC-726RC-2B | 052958 |
| | S (R-404A) | W40 (MOP) | 10 Ft. | External | XC-726SW40-2B | 063127 |
| | S (R-404A) | W65 (MOP) | 10 Ft. | External | XC-726SW65-2B | 061692 |
| S (R-404A) | Z (Low Temp.) | 10 Ft. | External | XC-726SZ-2B | 063974 | |
| S (R-404A) | C (Med. Temp.) | 10 Ft. | External | XC-726SC-2B | 062303 | |
| TCLE, TJLE, TJRE | R-12 | Rapid Response | 5 Ft. | External | X-8019FWS-1B | 031654 |
| | R-22 | Rapid Response | 10 Ft. | External | X-8019HWS-2B | 055873 |
| | R-22 | Rapid Response | 5 Ft. | External | X-8019HWS-1B | 055652 |
| | R-502 | Rapid Response | 10 Ft. | External | X-8019RWS-2B | 042426 |
| | R-502 | Rapid Response | 5 Ft. | Internal | X-8019RWS-1A | 032131 |

NOTE: Nominal capacities shown here are based on 40°F evaporator temperature and 100°F vapor-free liquid refrigerant entering the valve. R-12 and R-134a rated at 60 PSID. All other refrigerants rated at 100 PSID.

Dimensions TERE/LERE, TIRE/LIRE, THRE **XC726** (mm)



Angle Style Flanges Type 9153, 9153-MM for TERE, TIRE

| Connections | | Lay-in length | | A | B | C | D | E | F | G | Weight kg |
|-------------|---------|---------------|--------|-----|----|----|----|----|---|----|--------------|
| | | Inlet | Outlet | | | | | | | | |
| 22 | 22 ODF | 19 | 19 | 140 | 87 | 51 | 92 | 59 | | 23 | 1,4 |
| 7/8 | 7/8 ODF | 19 | 19 | 140 | | | 92 | 59 | | 25 | 1,4 |

Angle Style Flanges Type 9149 for THRE

| | | | | | | | | | | | |
|------|----------|----|----|-----|----|----|-----|----|--|----|------|
| 22,2 | 22,2 ODF | 19 | 19 | 154 | 87 | 51 | 106 | 73 | | 25 | 1,45 |
| 7/8 | 7/8 ODF | 19 | 19 | 154 | | | 106 | 73 | | 25 | 1,45 |

Straight Through Flanges Type 9152 for TERE, TIRE

| | | | | | | | | | | | |
|------|----------|----|----|-----|----|----|----|------|----|----|-----|
| 22,2 | 22,2 ODF | 19 | 19 | 139 | 51 | 45 | 74 | 16,5 | 58 | 25 | 1,5 |
| 7/8 | 7/8 ODF | 19 | 19 | 139 | | | | | | | 1,5 |

Straight through Flanges Type 9148 for THRE

| | | | | | | | | | | | |
|------|----------|----|----|-----|----|----|----|------|----|----|------|
| 22,2 | 22,2 ODF | 19 | 19 | 139 | 51 | 45 | 74 | 16,5 | 58 | 25 | 1,45 |
| 7/8 | 7/8 ODF | 19 | 19 | 139 | | | | | | | 1,45 |