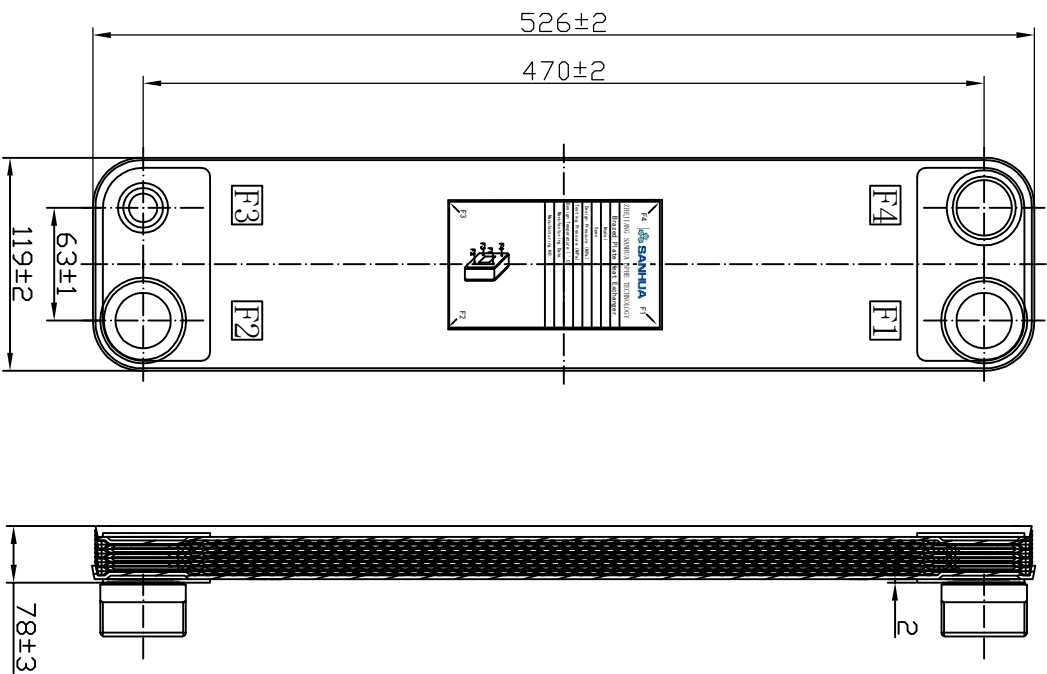


Revision NO.

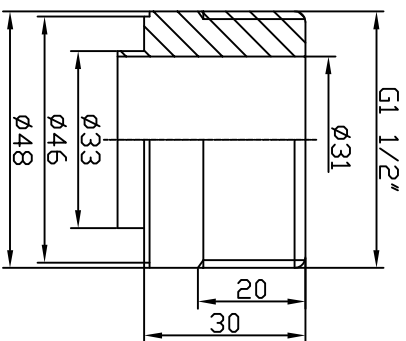
Revision description

Date



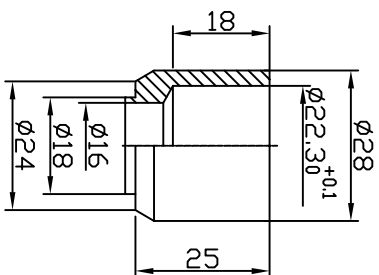
JG-135-03

F1 F2



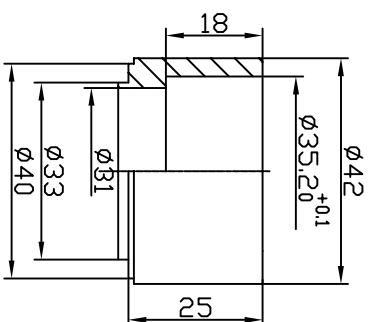
JG-185-03

F3



JG-070T-03

F4



TECHNICAL DATA

1. This product is designed, manufactured and inspected according to JB/T8701-2018 standard;
2. F1F2side:Max working pressure 3.0MPa; Max testing pressure 4.5MPa; F3F4side:Max working pressure 4.5MPa; Max testing pressure 6.75MPa;
3. Design temperature: -196 to 225°C;
4. Plate material: SUS316L;

Model S60BH-34HZ

Designer: TD

Remark:

Verify:

Version No.:

Date: 2023/02/01 Ratio: 1:1



ZHEJIANG SANHUA BPHE TECHNOLOGY

Drawing No:

T2171-646

JX-060B-34HZ-4.5-
F1F2(G1"1/2)F3(H7/8")
F4(H1"3/8)