

# TL5F

## Standard Compressor

### R134a

### 220-240V 50Hz

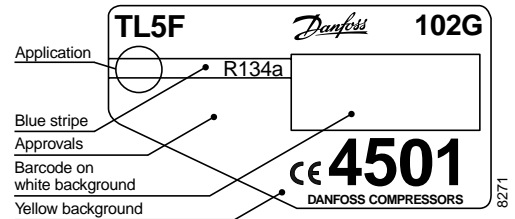
Data Sheet (Replaces CG.42.B1.02)

#### General

Compressor	<b>TL5F</b>
Code number	102G4501

#### Application

Application		LBP
Evaporating temperature range	°C	-35 to -10
Voltage range	V/Hz	198 - 254 /50
Motor type		RSIR/CSIR
Max. ambient temperature	°C	38
Comp. cooling at ambient temp.	32°C	S
	38°C	S



- S = Static cooling normally sufficient
- O = Oil cooling
- F<sub>1</sub> = Fan cooling 1.5 m/s  
(compressor compartment temperature equal to ambient temperature)
- F<sub>2</sub> = Fan cooling 3.0 m/s necessary

#### Design

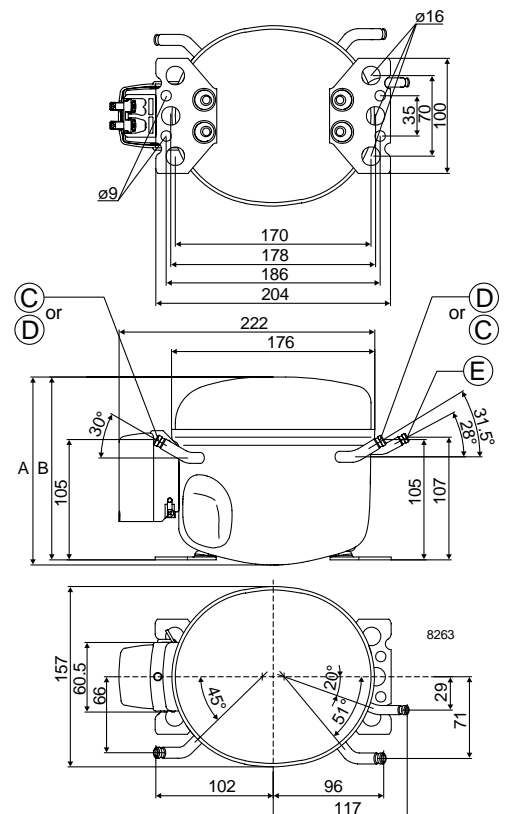
Displacement	cm <sup>3</sup>	5.08
Oil quantity	cm <sup>3</sup>	180
Maximum refrigerant charge	g	400
Free gas vol. in compressor	cm <sup>3</sup>	1790
Weight without electrical equipment	kg	7.5

#### Motor

Motor size	watt	110
alternative motor		125
LRA (rated after 4 sec. UL984) LST/HST	A	4.3/5.1
alternative motor		4.7/5.8
Cut-in current LST/HST	A	8.6/5.1
alternative motor		8.7/5.8
Resistance, main and start winding (25°C)	Ω	18.2/15.1
alternative motor		16.0/17.0
Approvals		EN 60335-2-34 with Annex AA, CCIB

#### Dimensions

Height	mm	A	173
		B	169
Suction connector	location/I.D. mm	C	6.2 ±0.09
Process connector	location/I.D. mm	D	6.2 ±0.09
Discharge connector	location/I.D. mm	E	5.0 +0.12/+0.20
Compressors on a pallet	pcs.		125



**Capacity (EN 12900/CECOMAF)**

**watt**

Comp. °C	-35	-30	-25	-23.3	-20	-15	-10
TL5F	43	60	82	91	110	144	183

**Capacity (ASHRAE)**

**watt**

Comp. °C	-35	-30	-25	-23.3	-20	-15	-10
TL5F	53	74	101	112	136	177	226

**Power consumption**

**watt**

Comp. °C	-35	-30	-25	-23.3	-20	-15	-10
TL5F	70	85	101	107	118	136	154

**Current consumption**

**A**

Comp. °C	-35	-30	-25	-23.3	-20	-15	-10
TL5F	0.75	0.78	0.81	0.83	0.86	0.91	0.97

**COP (EN 12900/CECOMAF)**

**W/W**

Comp. °C	-35	-30	-25	-23.3	-20	-15	-10
TL5F	0.61	0.70	0.81	0.85	0.93	1.06	1.19

**COP (ASHRAE)**

**W/W**

Comp. °C	-35	-30	-25	-23.3	-20	-15	-10
TL5F	0.75	0.86	1.00	1.05	1.15	1.30	1.47

Test conditions  
 Condensing temperature      EN 12900/CECOMAF      55°C      ASHRAE      55°C  
 Ambient and suction gas temp.      32°C      32°C  
 Liquid temperature      55°C      32°C  
 Static cooling, 220V 50Hz,  
 PTC consumption incl.

**Accessories**

Devices	Fig.	TL5F
PTC starting device 6.3 mm spades 4.8 mm spades	a1	103N0011 103N0018
Starting relay	a2	117U6004
Cover	b	103N2010
Starting capacitor 60 µF	c	117U5014
Cord relief	d	103N1010
Protection screen for PTC	g	103N0476
Mounting accessories		
Bolt joint for one compressor		118-1917
Bolt joint in quantities		118-1918
Snap-on in quantities		118-1919

