

TL4CL LBP/MBP Compressor R404A/R507 220-240V 50Hz

Data Sheet (Replaces CF.52.A1.02)

General

| | |
|-------------|----------|
| Compressor | TL4CL |
| Code number | 102U2071 |

Application

| | | |
|--------------------------------|---------|----------------|
| Application | LBP/MBP | |
| Evaporating temperature range | °C | -45 to -5 |
| Voltage range | V/Hz | 198 - 254 /50 |
| Motor type | CSIR | |
| Max. ambient temperature | °C | 38 |
| Comp. cooling at ambient temp. | 32°C | F ₂ |
| | 38°C | F ₂ |

Design

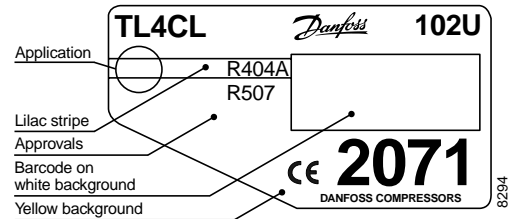
| | | |
|-------------------------------------|-----------------|------|
| Displacement | cm ³ | 3.86 |
| Oil quantity | cm ³ | 280 |
| Maximum refrigerant charge | g | 600 |
| Free gas vol. in compressor | cm ³ | 1690 |
| Weight without electrical equipment | kg | 7.6 |

Motor

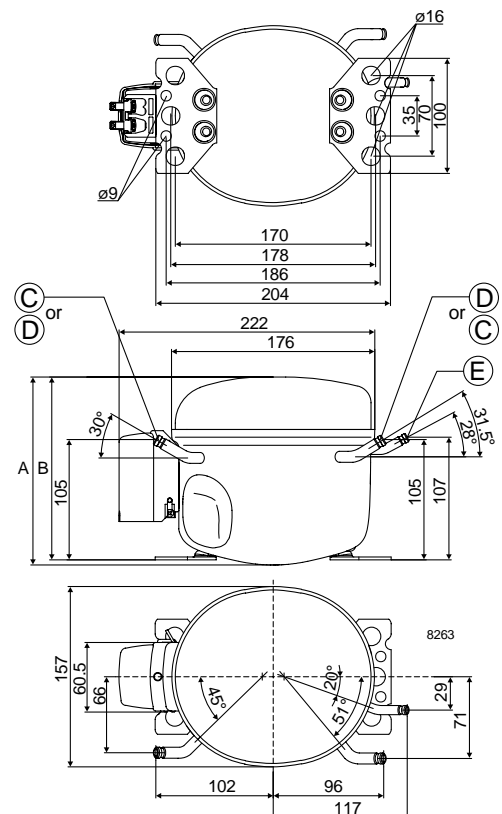
| | | |
|---|---------------|-----------|
| Motor size | watt | 140 |
| LRA (rated after 4 sec. UL984) HST | A | 5.7 |
| Cut-in current HST | A | 5.7 |
| Resistance, main and start winding (25°C) | Ω | 14.8/14.5 |
| Approvals | EN 60335-2-34 | |

Dimensions

| | | | |
|-------------------------|------------------|-----|-----------------|
| Height | mm | A | 173 |
| | | B | 169 |
| Suction connector | location/I.D. mm | C | 6.2 ±0.09 |
| Process connector | location/I.D. mm | D | 6.2 ±0.09 |
| Discharge connector | location/I.D. mm | E | 5.0 +0.12/+0.20 |
| Compressors on a pallet | pcs. | 125 | |



- S = Static cooling normally sufficient
- O = Oil cooling
- F₁ = Fan cooling 1.5 m/s
(compressor compartment temperature equal to ambient temperature)
- F₂ = Fan cooling 3.0 m/s necessary



Capacity (EN 12900/CECOMAF)

watt

| | | | | | | | | | | |
|---------|-----|-----|-----|-----|-----|-------|-----|-----|-----|-----|
| Comp.°C | -45 | -40 | -35 | -30 | -25 | -23.3 | -20 | -15 | -10 | -5 |
| TL4CL | 52 | 65 | 84 | 110 | 142 | 155 | 182 | 230 | 286 | 352 |

Capacity (ASHRAE)

watt

| | | | | | | | | | | |
|---------|-----|-----|-----|-----|-----|-------|-----|-----|-----|-----|
| Comp.°C | -45 | -40 | -35 | -30 | -25 | -23.3 | -20 | -15 | -10 | -5 |
| TL4CL | 60 | 76 | 98 | 128 | 166 | 180 | 212 | 268 | 334 | 411 |

Power consumption

watt

| | | | | | | | | | | |
|---------|-----|-----|-----|-----|-----|-------|-----|-----|-----|-----|
| Comp.°C | -45 | -40 | -35 | -30 | -25 | -23.3 | -20 | -15 | -10 | -5 |
| TL4CL | 81 | 91 | 105 | 121 | 140 | 147 | 160 | 179 | 198 | 215 |

Current consumption

A

| | | | | | | | | | | |
|---------|------|------|------|------|------|-------|------|------|------|------|
| Comp.°C | -45 | -40 | -35 | -30 | -25 | -23.3 | -20 | -15 | -10 | -5 |
| TL4CL | 0.89 | 0.79 | 0.80 | 0.88 | 1.01 | 1.05 | 1.14 | 1.25 | 1.28 | 1.31 |

COP (EN 12900/CECOMAF)

W/W

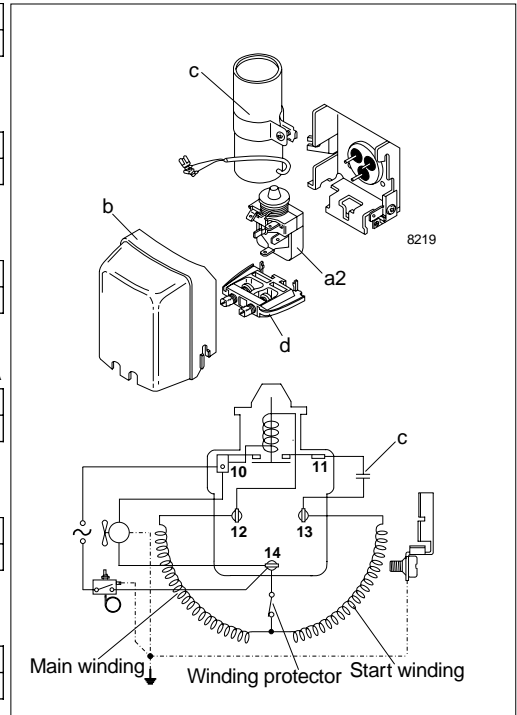
| | | | | | | | | | | |
|---------|------|------|------|------|------|-------|------|------|------|------|
| Comp.°C | -45 | -40 | -35 | -30 | -25 | -23.3 | -20 | -15 | -10 | -5 |
| TL4CL | 0.64 | 0.72 | 0.81 | 0.90 | 1.02 | 1.06 | 1.14 | 1.28 | 1.45 | 1.64 |

COP (ASHRAE)

W/W

| | | | | | | | | | | |
|---------|------|------|------|------|------|-------|------|------|------|------|
| Comp.°C | -45 | -40 | -35 | -30 | -25 | -23.3 | -20 | -15 | -10 | -5 |
| TL4CL | 0.74 | 0.83 | 0.94 | 1.05 | 1.18 | 1.23 | 1.33 | 1.50 | 1.69 | 1.92 |

| | | |
|--|------------------|--------|
| Test conditions | EN 12900/CECOMAF | ASHRAE |
| Condensing temperature | 45°C | 45°C |
| Ambient and suction gas temp. | 32°C | 32°C |
| Liquid temperature | 45°C | 32°C |
| Fan cooling F ₂ , 220V 50Hz | | |



Accessories

| Devices | Fig. | TL4CL |
|-------------------------------|------|----------|
| Starting relay | a2 | 117U6000 |
| Cover | b | 103N2010 |
| Starting capacitor 60 μF | c | 117U5014 |
| Cord relief | d | 103N1010 |
| Mounting accessories | | |
| Bolt joint for one compressor | | 118-1917 |
| Bolt joint in quantities | | 118-1918 |
| Snap-on in quantities | | 118-1919 |