

SC12DL MBP/HBP Compressor R404A/R507 220-240V 50Hz

Data Sheet (Replaces CF.54.L2.02)

General

Compressor	SC12DL
Code number	104L2625

Application

Application	MBP/HBP	
Evaporating temperature range	°C	-20 to 15
Voltage range	V/Hz	198 - 254 /50
Motor type	CSIR	
Max. ambient temperature	°C	38
Comp. cooling at ambient temp.	32°C	F ₂
	38°C	F ₂

Design

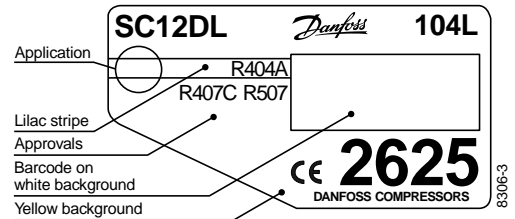
Displacement	cm ³	12.87
Oil quantity	cm ³	600
Maximum refrigerant charge	g	1300
Free gas vol. in compressor	cm ³	1460
Weight without electrical equipment	kg	13.6

Motor

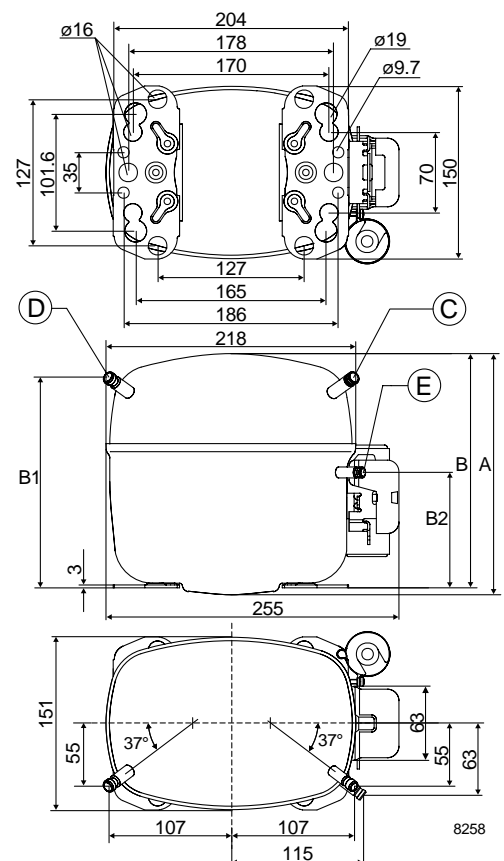
Motor size	watt	495
LRA (rated after 4 sec. UL984) HST	A	18.6
Cut-in current HST	A	18.6
Resistance, main and start winding (25°C)	Ω	3.7/14.1
Approvals	EN 60335-2-34	

Dimensions

Height	mm	A	219
		B	213
		B1	193
		B2	110
Suction connector	location/I.D. mm	C	10.2 ±0.09
Process connector	location/I.D. mm	D	6.2 ±0.09
Discharge connector	location/I.D. mm	E	6.2 ±0.09
Compressors on a pallet	pcs.	80	



- S = Static cooling normally sufficient
- O = Oil cooling
- F₁ = Fan cooling 1.5 m/s
(compressor compartment temperature equal to ambient temperature)
- F₂ = Fan cooling 3.0 m/s necessary



Capacity (EN 12900/CECOMAF)

watt

Comp.°C	-20	-15	-10	-5	0	5	7.2	10	15
SC12DL	609	806	1028	1279	1565	1890	2046	2258	2674

Capacity (ASHRAE)

watt

Comp.°C	-20	-15	-10	-5	0	5	7.2	10	15
SC12DL	707	937	1196	1491	1827	2210	2396	2647	3144

Power consumption

watt

Comp.°C	-20	-15	-10	-5	0	5	7.2	10	15
SC12DL	489	563	624	675	717	750	763	778	800

Current consumption

A

Comp.°C	-20	-15	-10	-5	0	5	7.2	10	15
SC12DL	3.37	3.65	3.89	4.11	4.29	4.44	4.50	4.56	4.66

COP (EN 12900/CECOMAF)

W/W

Comp.°C	-20	-15	-10	-5	0	5	7.2	10	15
SC12DL	1.24	1.43	1.65	1.90	2.18	2.52	2.68	2.90	3.34

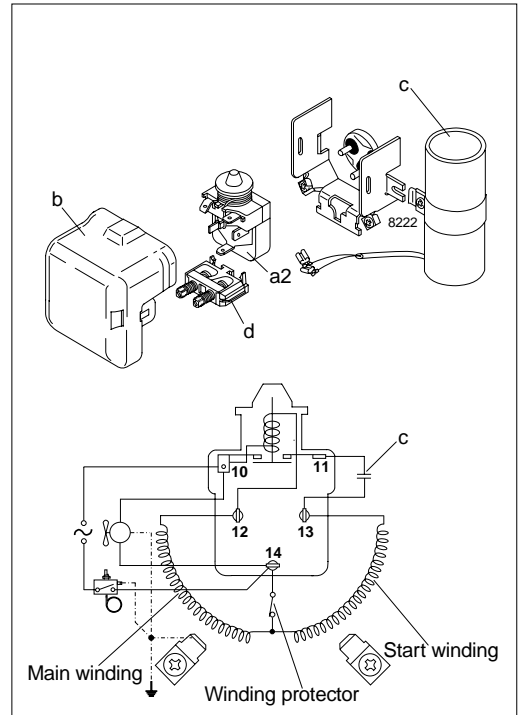
COP (ASHRAE)

W/W

Comp.°C	-20	-15	-10	-5	0	5	7.2	10	15
SC12DL	1.45	1.67	1.92	2.21	2.55	2.95	3.14	3.40	3.93

Test conditions
 Condensing temperature 45°C
 Ambient and suction gas temp. 32°C
 Liquid temperature 45°C
 Fan cooling F₂, 220V 50Hz

EN 12900/CECOMAF ASHRAE
 45°C 45°C
 32°C 32°C
 45°C 32°C



Accessories

Devices	Fig.	SC12DL
Starting relay	a2	117U6019
Cover	b	103N2009
Starting capacitor 80 µF	c	117U5017
Cord relief	d	103N1004
Mounting accessories		
Bolt joint for one compressor		118-1917
Bolt joint in quantities		118-1918
Snap-on in quantities		118-1919