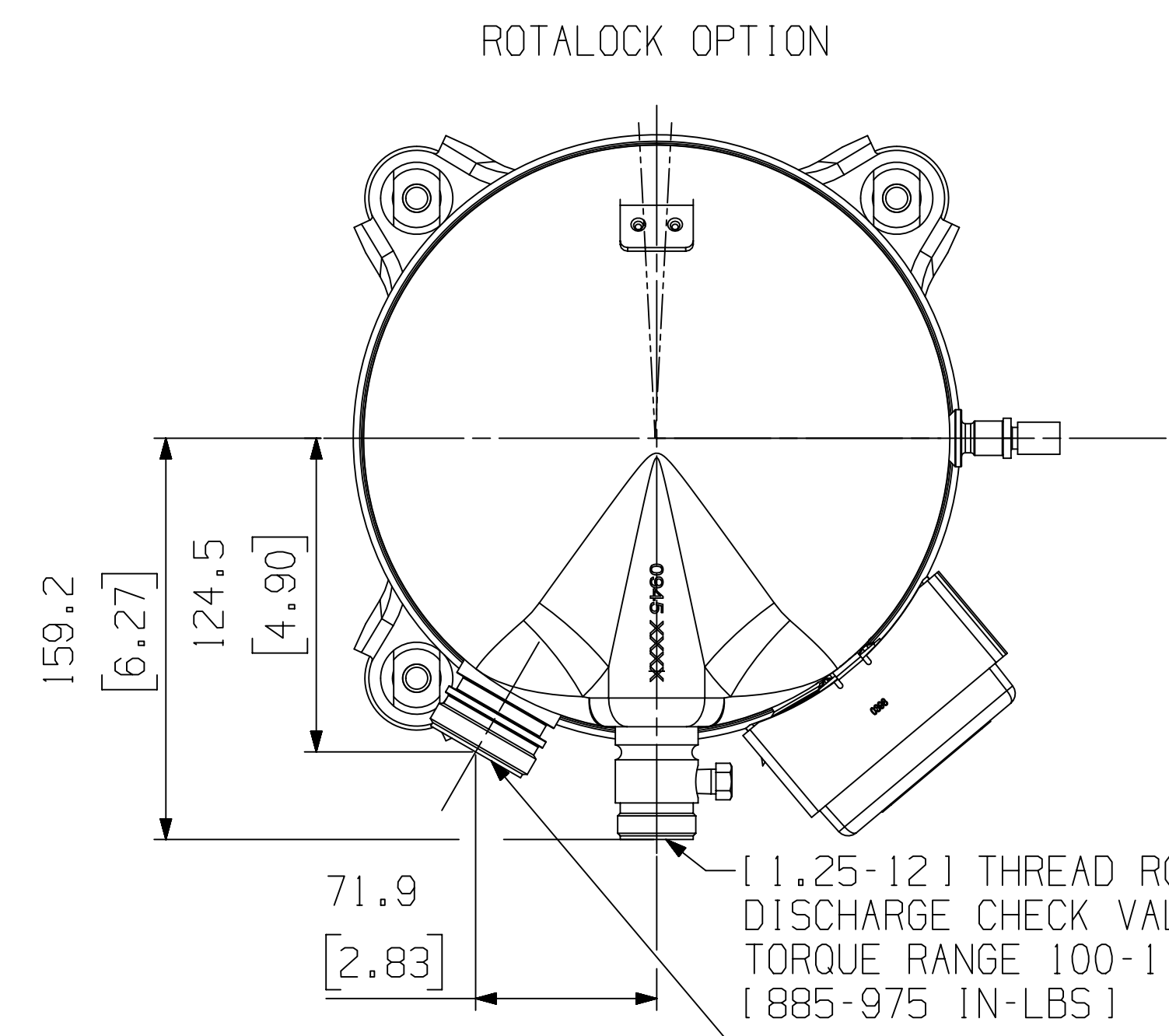
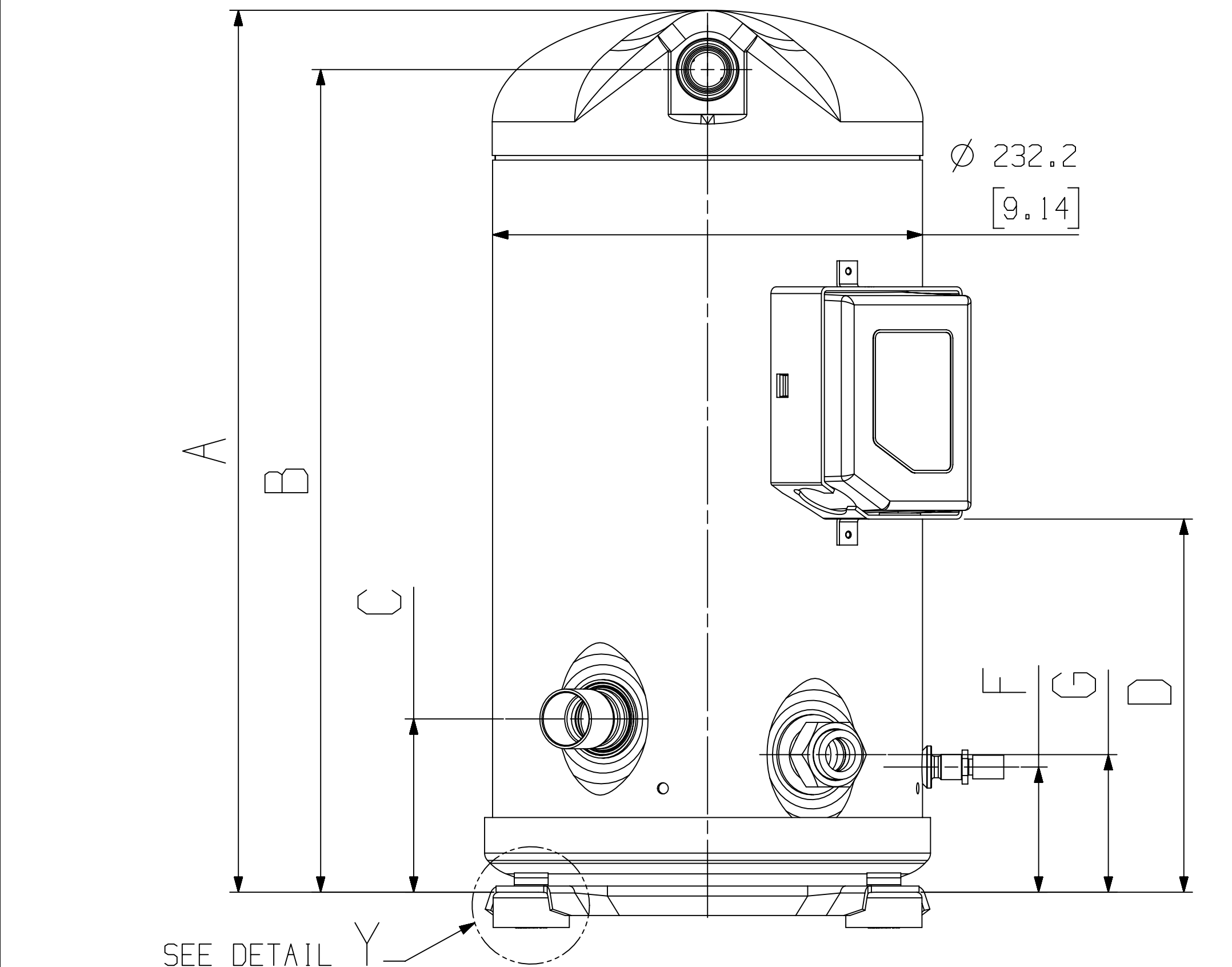
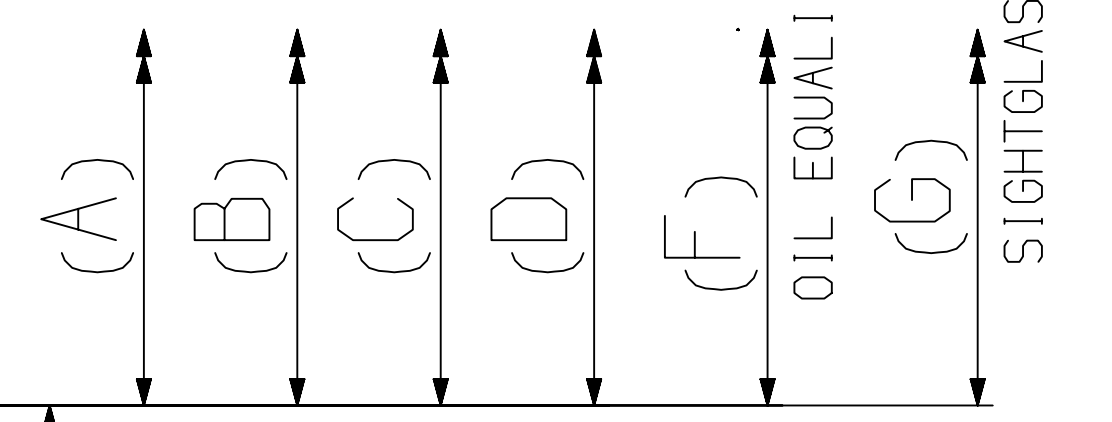
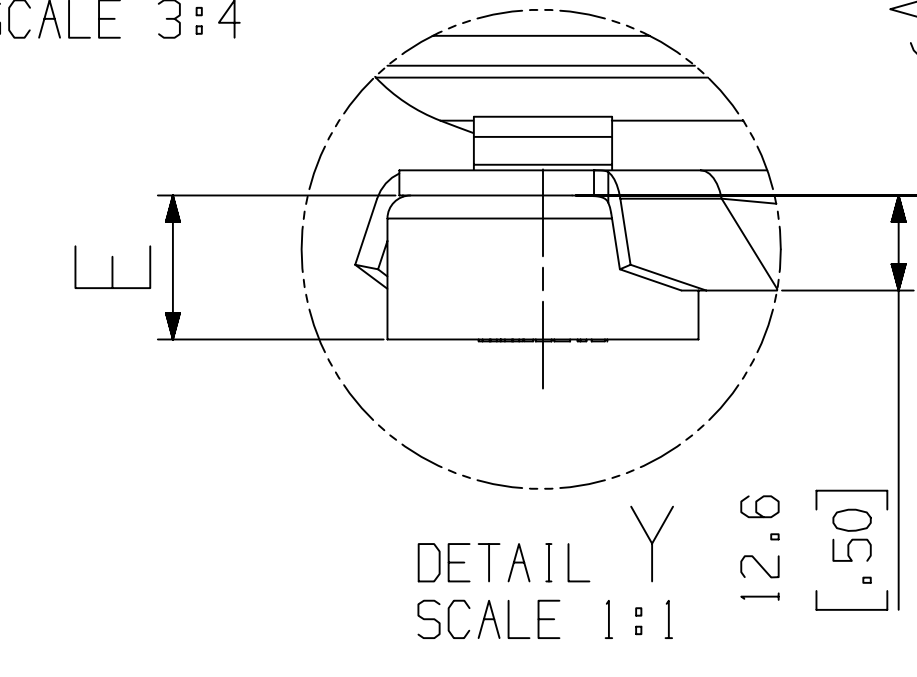
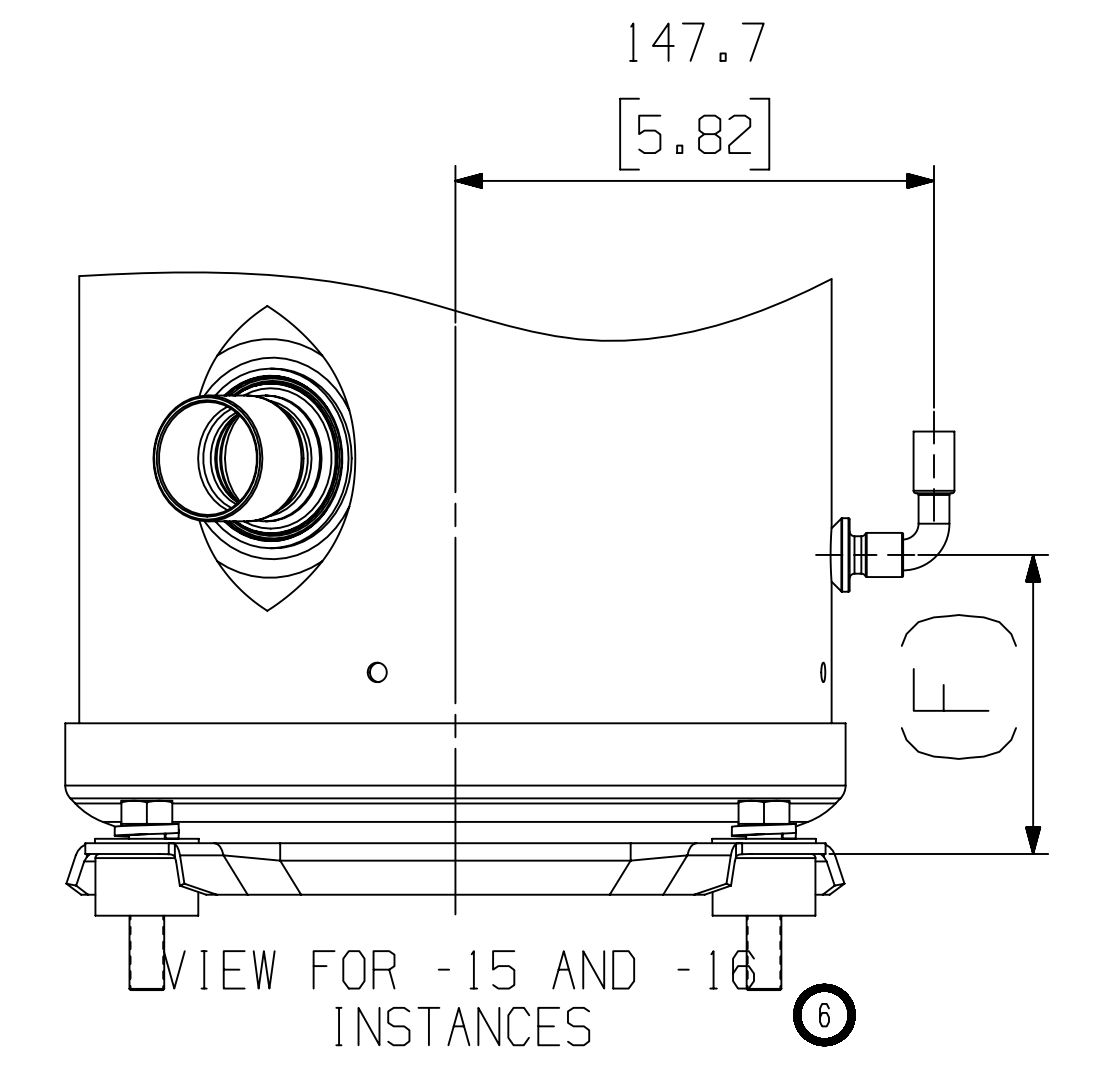
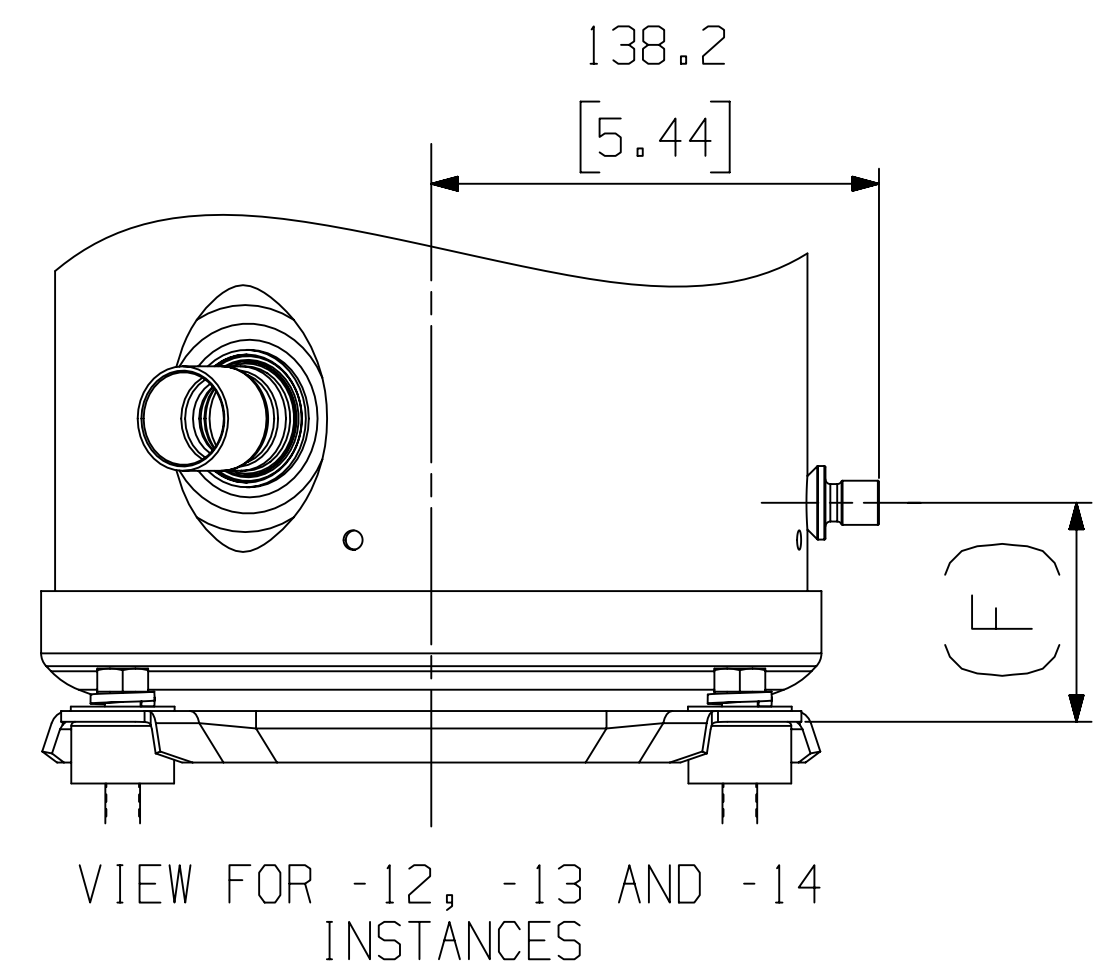


SECTION A-A  
SCALE 3:4



◆ [1.75-12] THREAD ROTALOCK SPUD  
SUCTION FITTING  
TORQUE RANGE 170-180 NEWTON-METERS [1500-1590 IN-LBS]



INTERPRET PER ASME Y14.5M-1994 AND EMERSON CLIMATE TECHNOLOGIES, INC. DESIGN STANDARDS DS2002

DO NOT SCALE DRAWING

THIRD ANGLE PROJECTION

CRITICAL PRODUCT CHARACTERISTICS

UNLESS OTHERWISE SPECIFIED DIMENSIONS ARE MILLIMETER OR (1 INCH)

TOLERANCES:  
 1-PLACE ±  
 2-PLACE ±  
 ANGULAR ±

ECN308659	9	SEE SHEET 2	09-05-18	CC	XMJ	YO
ECN100001	8	SEE SHEET 1 & 2	10-26-16	AZ	LG	AW
ECN201120	7	CHANGED DIMENSION	08-15-16	JLS	LLB	KJR
ECN102816	6	REDRAWN & ADDED VIEW FOR -15 & -16	12-30-15	PLS	KRB	KJR
ECN008643	0	RELEASED	06-26-14	VPV	LLB	KJR
ENG NOTICE NO.	REV.NO.	REVISIONS	DATE	BY	CHKD	APPR
CONFIDENTIALITY NOTICE						
15	THIS DRAWING AND INFORMATION CONTAINED HEREIN ARE THE EXCLUSIVE PROPERTY OF EMERSON CLIMATE TECHNOLOGIES, INC. AND SHALL BE RETURNED UPON DEMAND AND SHALL NOT BE REPRODUCED IN WHOLE OR IN PART DISCLOSED TO ANYONE ELSE OR USED, WITHOUT THE WRITTEN CONSENT OF EMERSON CLIMATE TECHNOLOGIES, INC.					
MATERIAL SPECIFICATION		DRAWN BY	SUPERSEDES DWG. NO. / REV. NO.			
N/A		PLS	497-1675-00 / 005			
		DATE	SCALE	DATE FORMAT:		
		12-30-15	3:7	MM-DD-YY		
TITLE		DRAWING NUMBER	SHEET 3 OF 3		DWG	
REF DWG-WELD COMP ASSM		497-1675-00			4	
						SIZE