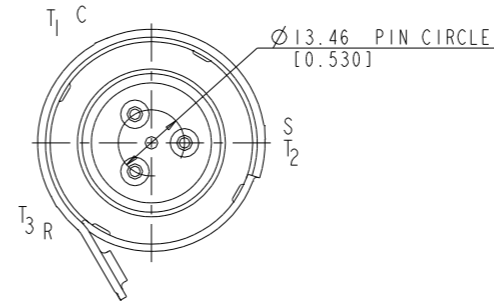
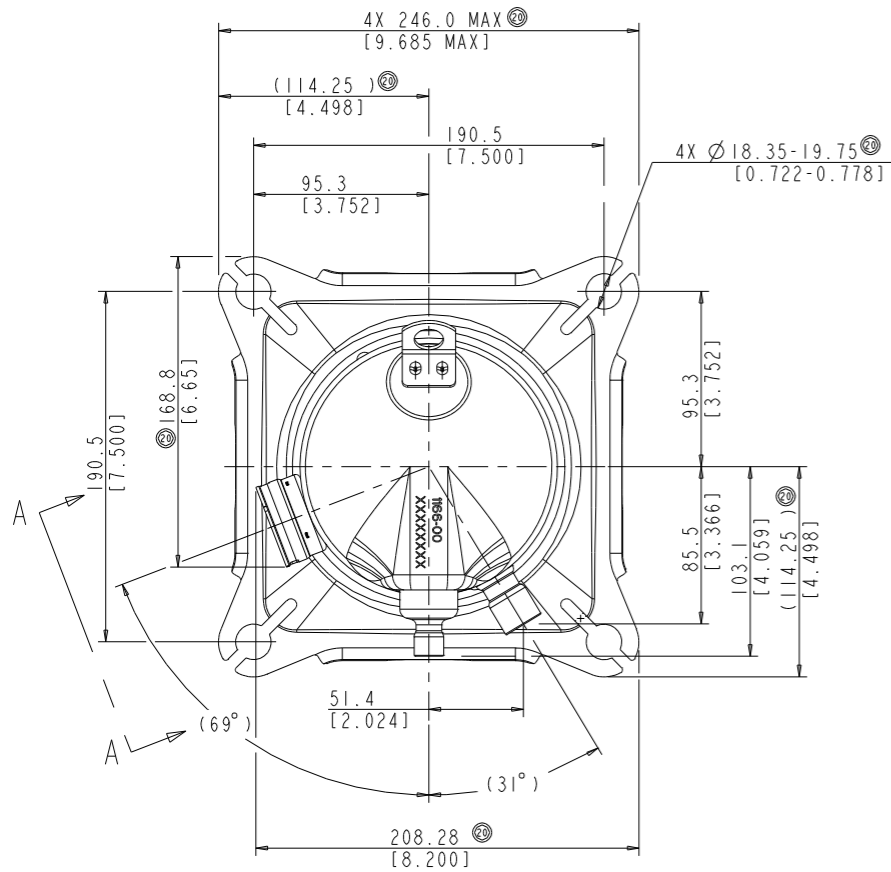


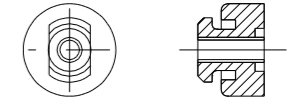
MODEL NUMBER
ZR16K4/K4E-PFV
ZR16K4/K4E-PFJ
ZR18K4/K4E-PFV
ZR18K4/K4E-PFJ
ZR22K4/K4E-PFV
ZR22K4/K4E-PFJ
ZR24K4/K4E-PFV
ZR24K4/K4E-PFJ

SPECIFICATIONS	
ES NO.	DESCRIPTION
ES92-155	CONVERSION-METRIC



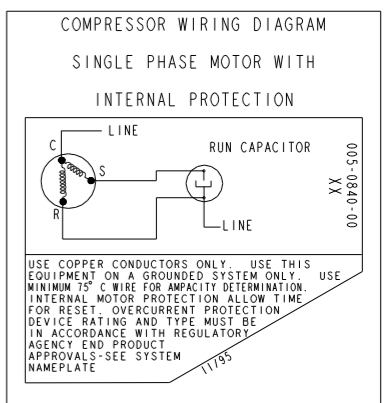
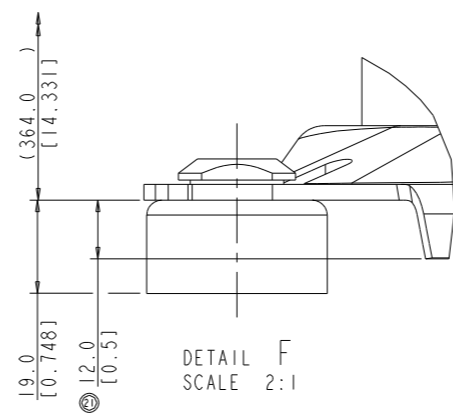
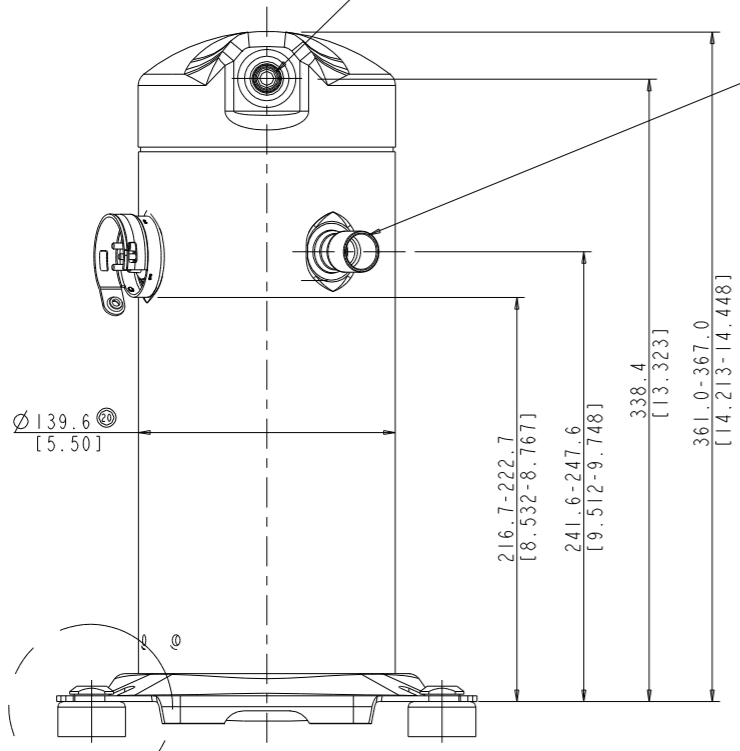
- NOTES:
- ALL TOLERANCES ± 1.50 [0.060] UNLESS OTHERWISE SPECIFIED.
 - DUE TO ACCUMULATED ASSEMBLY TOLERANCES THE LISTED COMPONENTS MAY VARY FROM THE MOUNTING HOLES AS SHOWN BELOW:
 - ◇ SUCTION FITTING : ± 3.0 [0.12]
 - ◇ DISCHARGE FITTING: ± 3.0 [0.12]
 - MOUNTING KIT.
 - TUBE ENDS MUST BE PLUGGED.

GROMMET DUROMETER	4 FOOT KIT
30-35	527-0044-15



12.78-12.95 I.D. ◇
 [0.504-0.509]
 ▽ 10.10 [0.398] MIN, 0.038 [0.0015] MIN THICK EXTERIOR AND 0.038 [0.0015] MIN THICK INTERIOR COPPER PLATED STEEL DISCHARGE FITTING.

19.12-19.30 I.D. ◇
 [0.753-0.759]
 ▽ 16.00 [0.630] MIN, 0.038 [0.0015] MIN THICK EXTERIOR AND 0.038 [0.0015] MIN THICK INTERIOR COPPER PLATED STEEL SUCTION FITTING.



INTERPRET PER ASME Y14.5M-1994 AND EMERSON CLIMATE TECHNOLOGIES, INC. DESIGN STANDARDS DS2002 DO NOT SCALE DRAWING

CRITICAL PRODUCT CHARACTERISTIC

THIRD ANGLE PROJECTION

UNLESS OTHERWISE SPECIFIED DIMENSIONS ARE MILLIMETER OR (INCH)

TOLERANCES:

1-PLACE \pm

2-PLACE \pm

ANGULAR \pm N/A

ENG NOTICE NO.	REV. NO.	REVISIONS	DATE	BY	CHKD	APPR
ECN001408	21	CHANGED MOUNTING KIT	03-18-09	MPK	EC	KJR
ECN000131	20	REVISED DIMS. AND ADDED CPC	11-28-07	JPL	EC	KJR
32-0906-046	19	CHANGED FORMAT FOR PROJECT INC	02-02-07	SVK	CHK	RST
32-0805-017	18	REMOVED MODELS ZR16/18/22/24/29KC-PFV	08-08-05	TDS	GDD	RST
32-0704-020	17	ADDED MODEL ZR24K4E-PFV	07-09-04	TM	GD	RST
32-1103-017	16	ADDED MODEL ZR22K4E-PFJ	11-14-03	TL	GD	RST
32-0203-064	15	REDRAWN AND REVISED	03-20-03	MMD	GD	RST
32-0995-041	0	RELEASED	09-26-95	RJG		

MATERIAL SPECIFICATION		SUPERSEDES DWG. NO. / REV. NO.	
N/A	OTL		
	DATE	SCALE	DATE FORMAT:
	03-20-03	3:4	MM-DD-YY
TITLE	DRAWING NUMBER	SHEET 1 OF 1	DWG
REF DWG-WELD COMP ASSM	497-2609-00		5
			SIZE