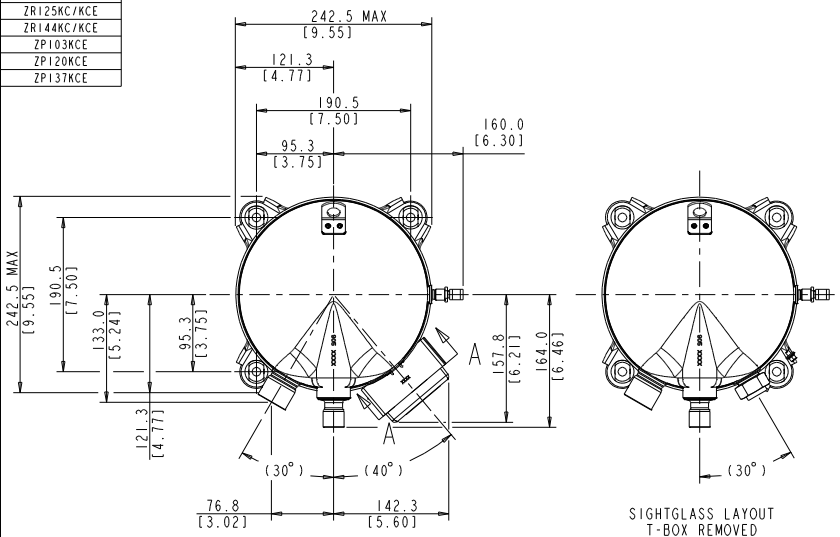
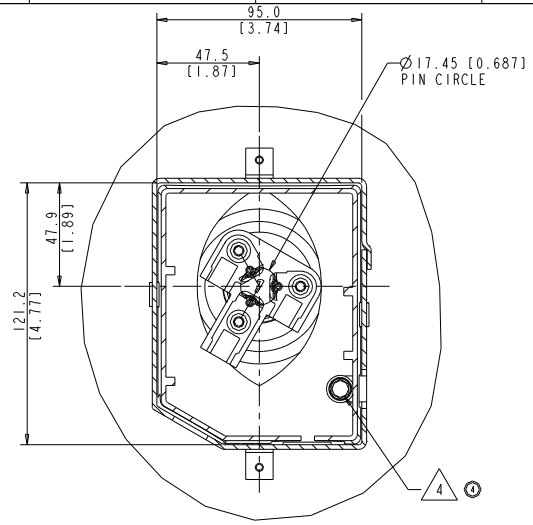


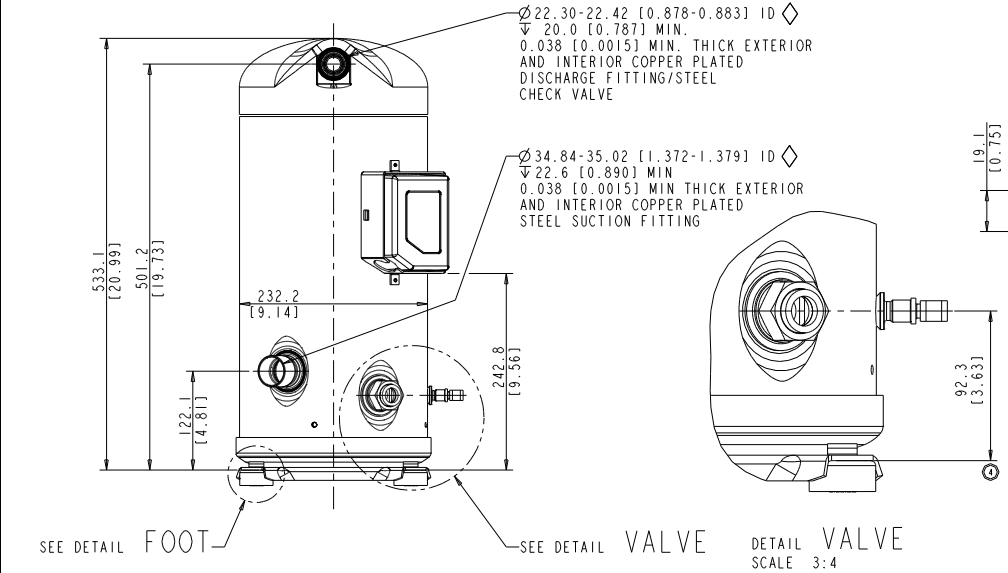
MODEL NUMBER
ZR108KC/KCE
ZR125KC/KCE
ZR144KC/KCE
ZP103KCE
ZP120KCE
ZP137KCE



SIGHTGLASS LAYOUT
T-BOX REMOVED



T-BOX LAYOUT
STANDARD
SECTION A-A
SCALE 1:1

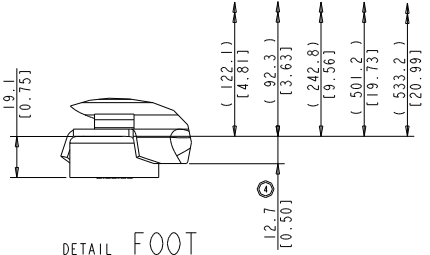
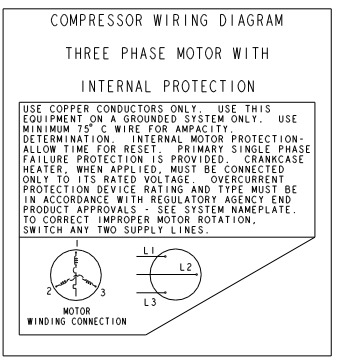


SEE DETAIL FOOT

SEE DETAIL VALVE

DETAIL VALVE
SCALE 3:4

- NOTES:
- △ ALL TOLERANCES ±1.5 [0.06] UNLESS OTHERWISE SPECIFIED. DUE TO ACCUMULATED ASSEMBLY TOLERANCES THE LISTED COMPONENTS MAY VARY FROM THE MOUNTING HOLES AS TABULATED.
 - ◇ SUCTION FITTING ±3.0 [0.12]
 - ◇ DISCHARGE FITTING ±3.0 [0.12]
 - 2. MOUNTING KIT: 527-0116-00.
 - 3. TUBE ENDS MUST BE PLUGGED.
 - ④ △ GROUNDING SCREW AND WASHER PER BOM



DETAIL FOOT
SCALE 1:1

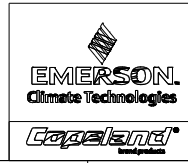
ECN001988	5	CHANGED SIGHT GLASS	01-18-11	LG	MD	VC
ECN001385	4	CHANGED OIL FITTING HEIGHT	01-01-09	XHT	LLB	KJR
ECN000821	3	REVISED & REDRAWN	12-04-07	PBM	NJG	KJR
32-0303-054	0	RELEASED	07-29-05	PNA	CMK	RST

ENG NOTICE NO.	REV. NO.	REVISIONS	DATE	BY	CHD	APPR
15		THIS DRAWING AND INFORMATION CONTAINED HEREIN ARE THE EXCLUSIVE PROPERTY OF EMERSON CLIMATE TECHNOLOGIES, INC. AND SHALL BE RETURNED UPON DEMAND AND SHALL NOT BE REPRODUCED IN WHOLE OR IN PART DISCLOSED TO ANYONE ELSE OR USED WITHOUT THE WRITTEN CONSENT OF EMERSON CLIMATE TECHNOLOGIES, INC.				

MATERIAL SPECIFICATION	DATE	SCALE	DATE FORMAT
N/A	12-04-07	3:8	MM-DD-YY

TITLE	DRAWN BY	SUPERSEDES ENG. NO.	REV. NO.
REF DWG-WELD COMP ASM-SERVICE	PBM	497-0489-01	2

DRAWING NUMBER	SHEET 1 OF 1
497-0489-01	4



INTERPRET PER ASME Y14.5M-1994 AND EMERSON CLIMATE TECHNOLOGIES, INC. DESIGN STANDARDS DS2002 DO NOT SCALE DRAWING

THIRD ANGLE PROJECTION

CRITICAL PRODUCT CHARACTERISTIC

UNLESS OTHERWISE SPECIFIED DIMENSIONS ARE MILLIMETER OR (INCH) TOLERANCES

1-PLACE ± N/A
2-PLACE ± N/A
ANGULAR ± N/A

