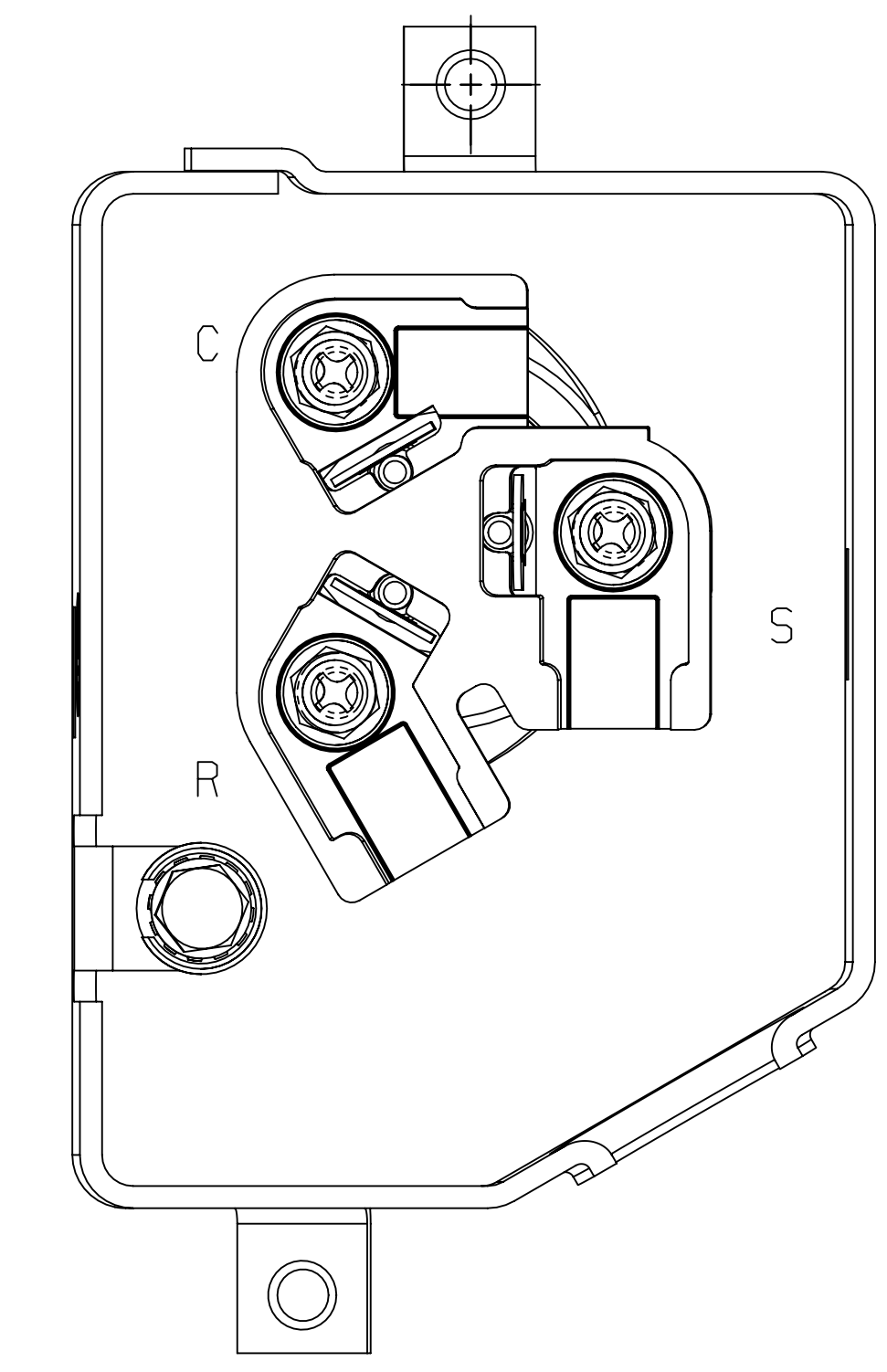
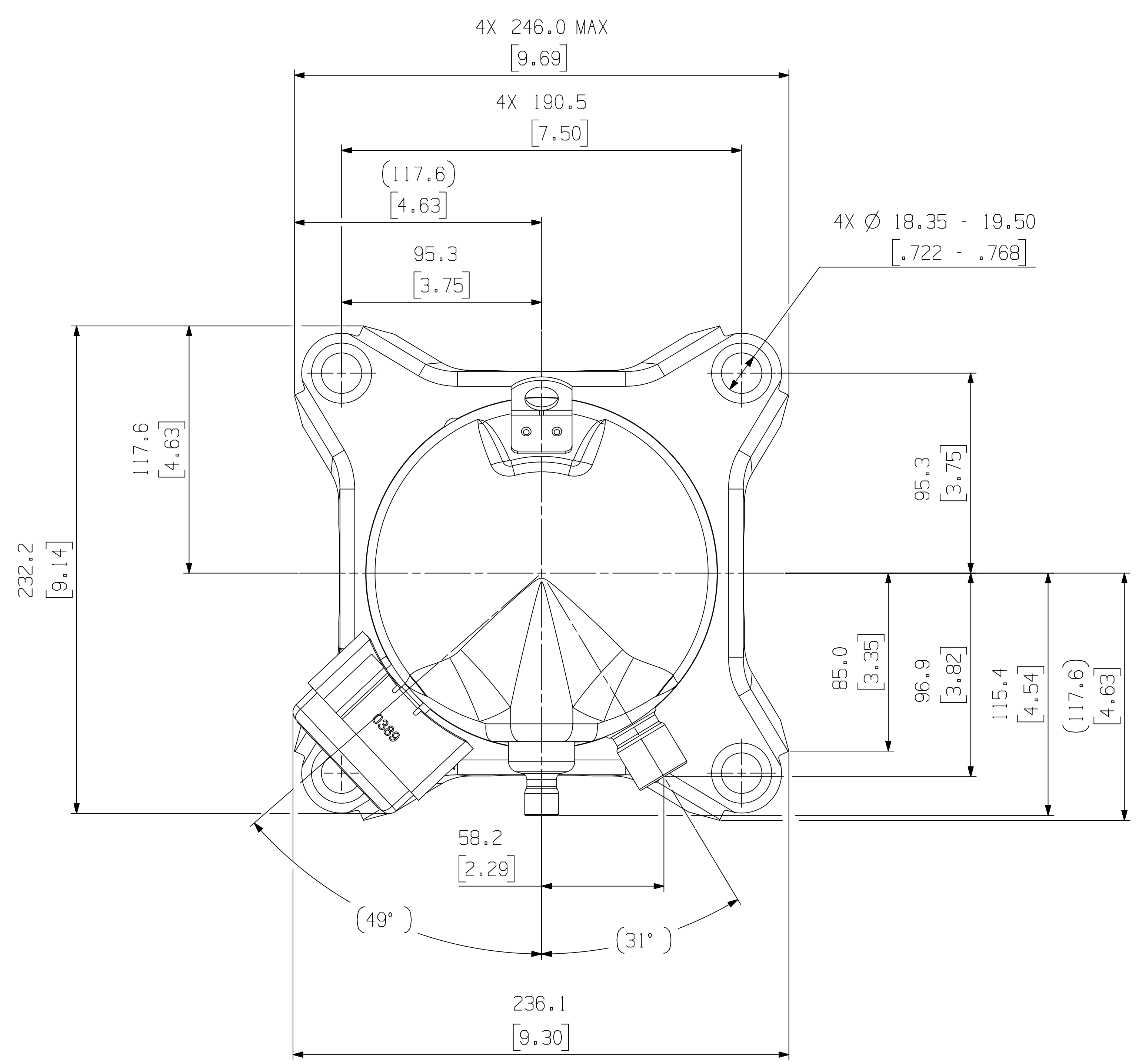
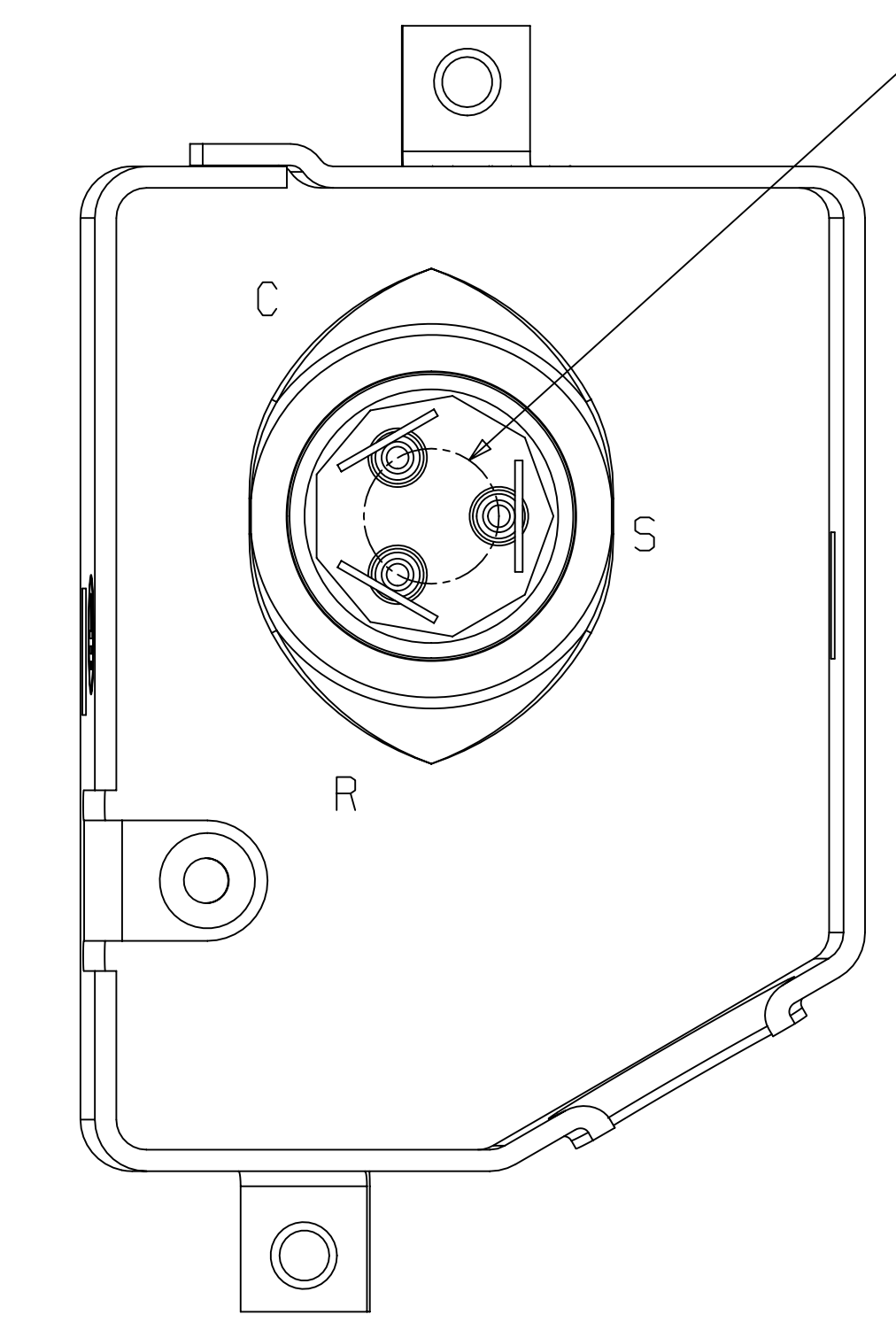


MODEL NUMBER
ZJ44KHE-PFB
ZJ51KHE-PFB

SPECIFICATIONS	
ES NO.	DESCRIPTION
ES92-155	CONVERSION-METRIC



T' BOX LAYOUT
OPTIONAL
SCALE 3:2



T' BOX LAYOUT
STANDARD
SCALE 3:2

NOTES:

1 ALL TOLERANCES ± 1.50 [0.060] UNLESS OTHERWISE SPECIFIED.

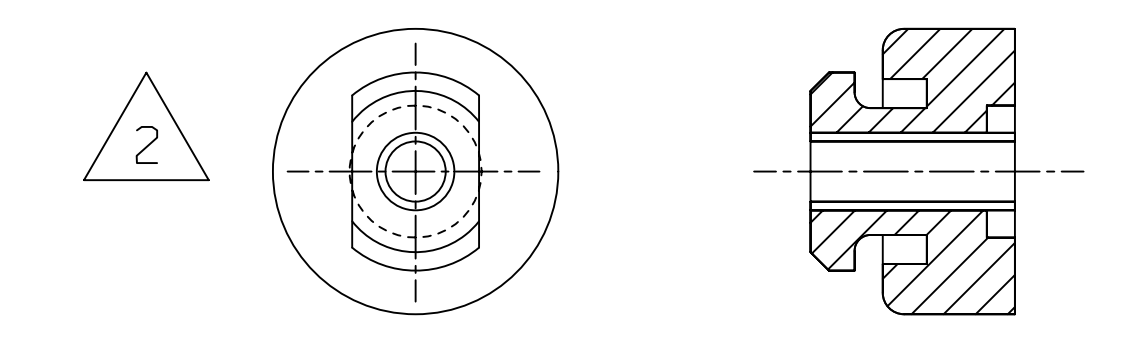
DUE TO ACCUMULATED ASSEMBLY TOLERANCES THE LISTED COMPONENTS MAY VARY FROM THE MOUNTING HOLES AS SHOWN BELOW:

◆ SUCTION FITTING : ± 3.0 [0.12]
DISCHARGE FITTING: ± 3.0 [0.12]

2 MOUNTING KIT.

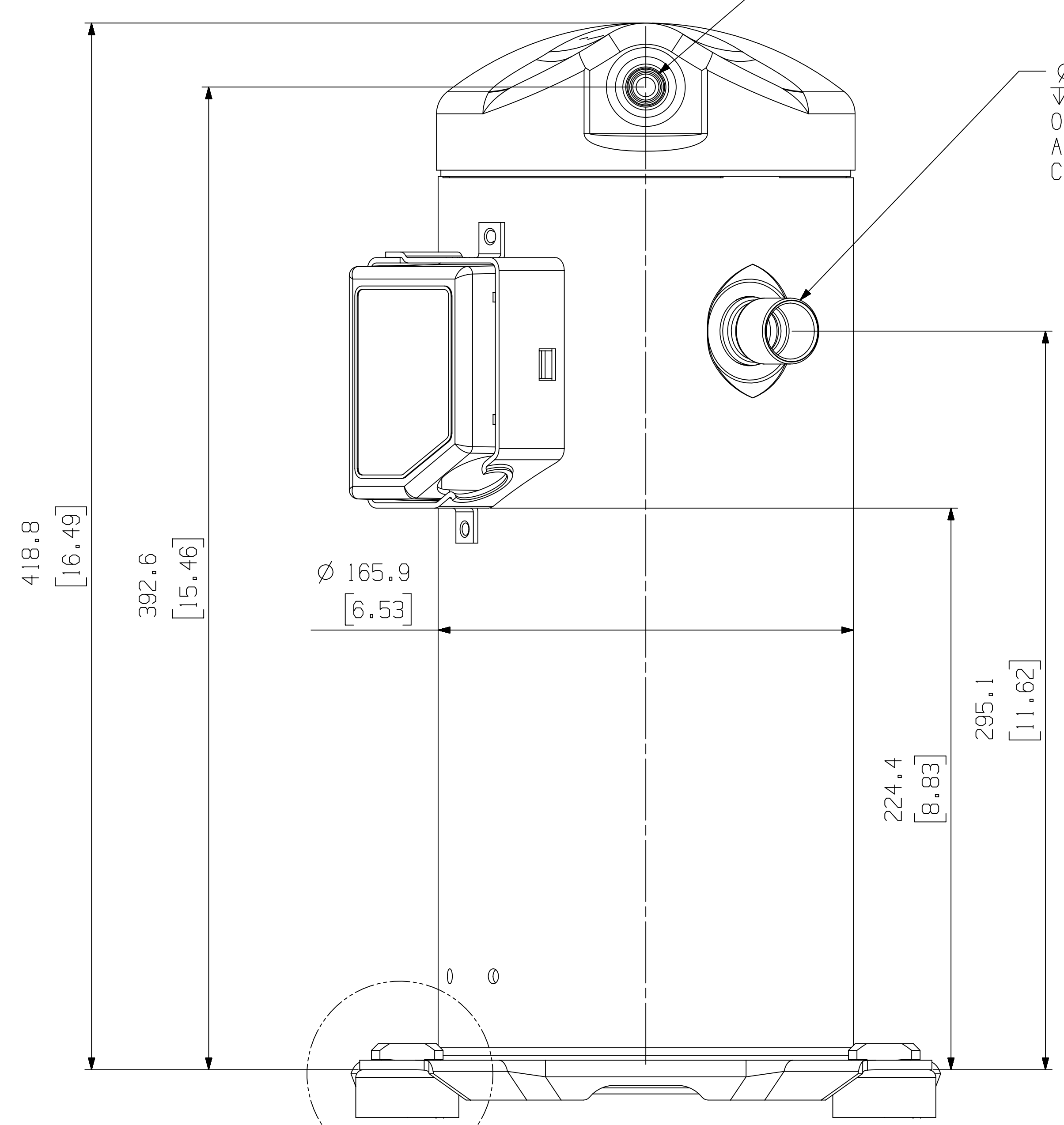
3. TUBE ENDS MUST BE PLUGGED.

GROMMET DUROMETER	4 FOOT KIT
35-45	527-0116-00

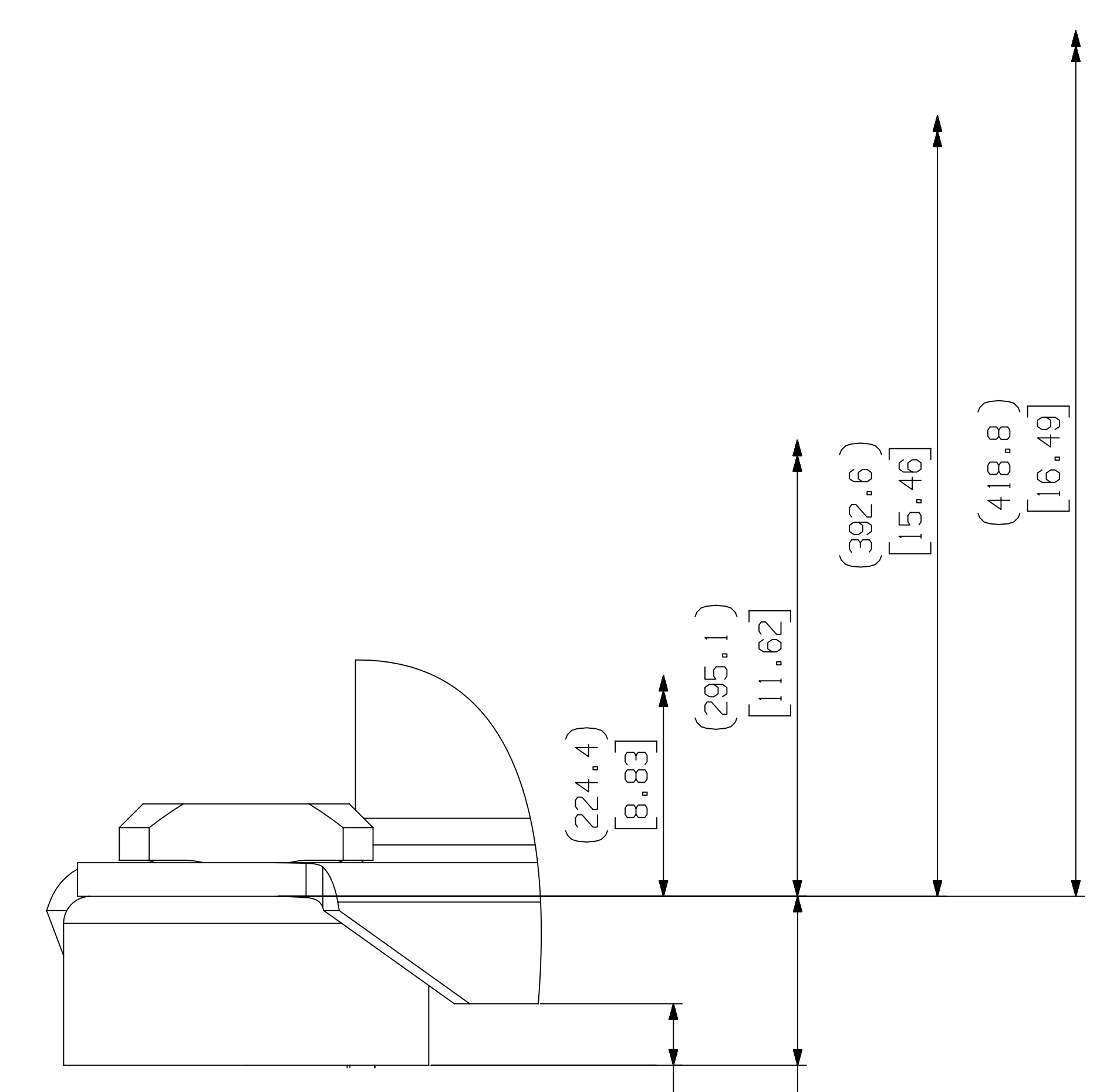


Ø 12.78-12.95 [0.503-0.510] I.D. ◆
√ 10.10 [0.398] MIN.
0.038 [0.0015] MIN THICK EXTERIOR
AND 0.038 [0.0015] MIN THICK
INTERIOR COPPER PLATED STEEL
DISCHARGE FITTING.

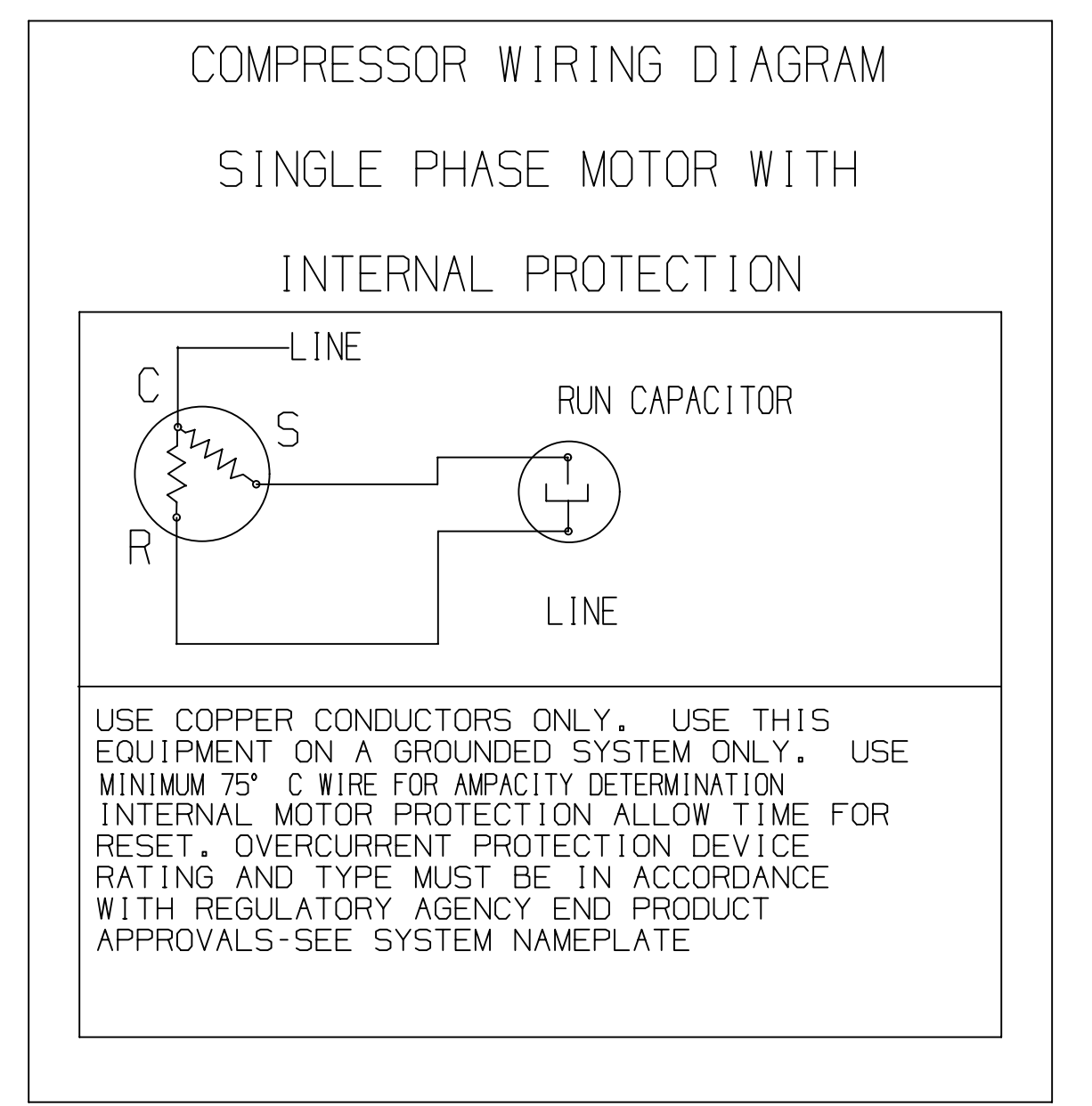
Ø 22.30-22.48 [0.878-0.885] I.D. ◆
√ 20.4 [0.803] MIN.
0.038 [0.0015] MIN THICK EXTERIOR
AND 0.038 [0.0015] MIN THICK INTERIOR
COPPER PLATED STEEL SUCTION FITTING.



DETAIL Y



DETAIL Y
SCALE 2:1



INTERPRET PER ASME Y14.5M-1994 AND EMERSON CLIMATE TECHNOLOGIES, INC. DESIGN STANDARDS DS2002
DO NOT SCALE DRAWING
THIRD ANGLE PROJECTION
CRITICAL PRODUCT CHARACTERISTICS
UNLESS OTHERWISE SPECIFIED DIMENSIONS ARE MILLIMETER OR 1/16 INCH
1-PLACE: N/A
2-PLACE: N/A
ANGULAR: N/A

ECN100591	2	ADDED T-BOX OPTIONAL VIEW	12-16-14	JC	ZH	JL
ECN008769	1	ADD ZJ51KHE-PFB	08-07-14	AZ	ZH	JL
ECN008684	0	RELEASED	07-07-14	EL	ZH	JL
ENG NOTICE NO.	REV. NO.	REVISIONS	DATE	BY	CHKD	APPR
CONFIDENTIALITY NOTICE						
24 THIS DRAWING AND INFORMATION CONTAINED HEREIN ARE THE EXCLUSIVE PROPERTY OF EMERSON CLIMATE TECHNOLOGIES, INC. AND SHALL BE RETURNED UPON DEMAND AND SHALL NOT BE REPRODUCED IN WHOLE OR IN PART, DISCLOSED TO ANYONE ELSE OR USED, WITHOUT THE WRITTEN CONSENT OF EMERSON CLIMATE TECHNOLOGIES, INC.						
MATERIAL SPECIFICATION		DRAWN BY		SUPERSEDES DWG. NO. / REV. NO.		
N/A		EL		497-1671-00/001		
		DATE		SCALE		DATE FORMAT
		07-07-14		3:4		MM-DD-YY
TITLE			DRAWING NUMBER		SHEET 1 OF 1	
REF DWG-WELD COMP ASSM			497-1678-00		5	
SIZE						