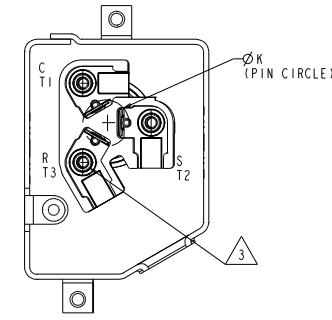
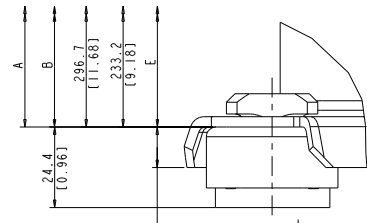
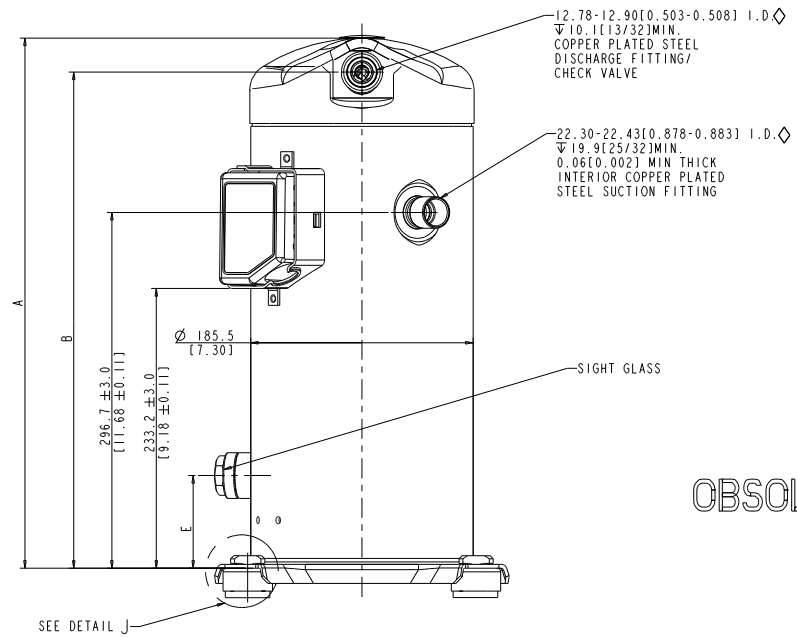


MOTOR TYPE	ØK PIN CIRCLE
PFJ	13.46
PFV	[0.530]
TF5	
TFD	17.45
TFE	
TF7	[0.687]



SCALE 3:2



DETAIL J
SCALE 2:1

OBSOLETE

ECN	NO.	DESCRIPTION	DATE	BY	CHKD	APPV
ECN001809	30	OBsolete SHEET 5	06-25-99	FT	LZC	SX
ECN001210	29	SEE SHEET 1	03-30-99	DU	J	DC
ECN001089	28	ADDED SHEET 5	09-04-98	FW	MY	BL
ECN001000	27	ADD MODEL NUMBER IN CHART	03-28-98	HWW	DC	DC
ECN000609	26	RELEASED -14 & CHANGED FITTING VALVE	08-14-97	AG	DC	BL
ECN000150	25	RELEASED -13; OBSOLETE -06, -10	08-15-97	PMW	DC	JTP
32-1198-023	0	RELEASED	01-11-99	KAJ	DAW	

REV. NO.	REV. BY	DATE	DESCRIPTION
1	FT	06-25-99	ISSUE FOR PRODUCTION

PROPERTY OF	DATE	SCALE	DATE FORMAT
EMERSON CLIMATE TECHNOLOGIES, INC.	01-11-99	1:1	MM-DD-YY

TITLE	DATE	SCALE	DATE FORMAT
REF DWG-WELD COMP ASSM	01-11-99	1:1	MM-DD-YY

PROPERTY OF EMERSON CLIMATE TECHNOLOGIES, INC. - CONFIDENTIAL