

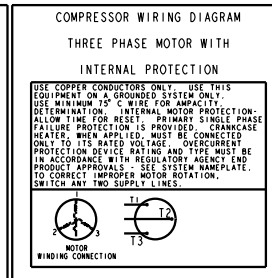
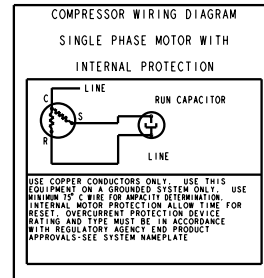
	12	11	10	9	8	7	6	5	4	3	2	1	
	PART NO.	MODEL NUMBER	A±3.0	B±3.0	C±3.0	D±3.0	E±3.0	SUCTION FITTING					SPECIFICATIONS
													ES NO. DESCRIPTION
													ES92-155 CONVERSION-METRIC
H	497-0873-00	ZB15KO(E)-***-524 ZB19KO(E)-***-524	363.8 [14.32]	338.3 [13.32]	244.5 [9.63]	202.9 [7.99]	OMIT	F					
	497-0873-01	ZB21KO(E)-***-524	386.4 [15.21]	360.9 [14.21]	264.4 [10.41]	222.8 [8.77]	OMIT	F					
	497-0873-02	ZB26KO(E)-***-524	400.2 [15.76]	374.6 [14.75]	277.1 [10.91]	235.5 [9.27]	OMIT	F					
G	497-0873-03	ZB29KO(E)-***-524	417.8 [16.45]	389.9 [15.35]	294.1 [11.58]	252.5 [9.94]	OMIT	G					
	497-0873-04	ZB15KO(E)-***-558 ZB19KO(E)-***-558	363.8 [14.32]	338.3 [13.32]	244.5 [9.63]	202.9 [7.99]	69.6 [2.74]	F					
F	497-0873-05	ZB21KO(E)-***-558	386.4 [15.21]	360.9 [14.21]	264.4 [10.41]	222.8 [8.77]	64.9 [2.55]	F					
	497-0873-06	ZB26KO(E)-***-558	400.2 [15.76]	372.9 [14.68]	277.1 [10.91]	235.5 [9.27]	77.6 [3.06]	F					
	497-0873-07	ZB29KO(E)-***-558	417.8 [16.45]	389.9 [15.35]	294.1 [11.58]	252.5 [9.94]	67.4 [2.65]	G					

NOTES:

⚠ ALL TOLERANCES ±1.5 (0.06) UNLESS OTHERWISE SPECIFIED.
DUE TO ACCUMULATED ASSEMBLY TOLERANCES THE LISTED COMPONENTS MAY VARY FROM THE MOUNTING HOLES AS SHOWN BELOW:

- ① SUCTION FITTING : ±3.0 (0.12)
- ② DISCHARGE FITTING : ±3.0 (0.12)
- 2. TUBE ENDS MUST BE PLUGGED.
- 3. FOR MORE INFORMATION SEE PRODUCT CATALOG.
- 4. FULL HEIGHT OF COMPRESSOR DOES NOT INCLUDE MOUNTING SPACERS.
- 5. MOUNTING KIT:

GROMMET DUROMETER	4 FOOT KIT
35-45	527-0116-00



REV. NO.	DESCRIPTION	DATE	BY	CHKD	APPD
3	UPDATED WIRING DIAGRAM & ADDED EPC SYMBOL	07-25-11	FY	LJC	CS
2	ADD 1/8 INCH SUCTION FITTING	05-06-01	FY	LJC	SA
1	SEE SHEET 2	08-25-09	FY	LJC	SA
0	RELEASED - 00 TO 07	06-05-09	FY	LJC	SA

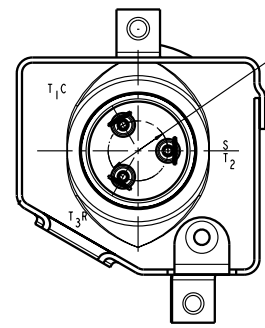
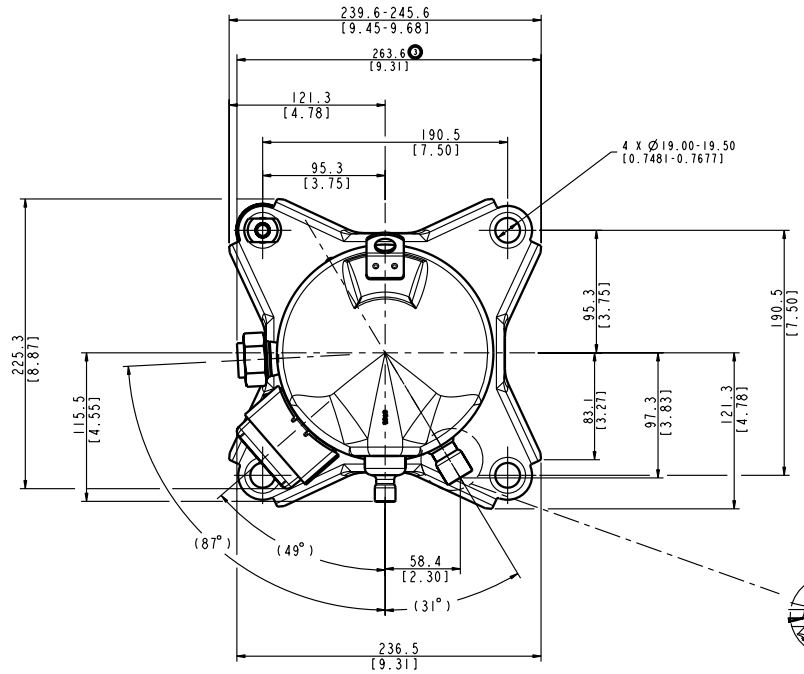
EMERSON CLIMATE TECHNOLOGIES, INC. CONFIDENTIALITY NOTICE
THIS DRAWING AND INFORMATION CONTAINED HEREIN ARE THE EXCLUSIVE PROPERTY OF EMERSON CLIMATE TECHNOLOGIES, INC. AND SHALL BE RETURNED UPON DEMAND AND SHALL NOT BE REPRODUCED IN WHOLE OR IN PART, DISCLOSED TO ANYONE ELSE OR USED, WITHOUT THE WRITTEN CONSENT OF EMERSON CLIMATE TECHNOLOGIES, INC.

INTERPRET PER ASME Y14.2M-1994 AND EMERSON CLIMATE TECHNOLOGIES, INC. DESIGN STANDARDS DTD02-00. ELECTRICAL CONVENTIONS THIS DRAWING IS FOR INTERNAL PROTECTION ONLY.
CRITICAL PRODUCT CHARACTERISTIC
UNLESS OTHERWISE SPECIFIED TOLERANCES ARE MILLIMETER OR (INCH) DIMENSIONS:
1-PLACE ± .015
2-PLACE ± .01
ANGULAR ± 0.5°

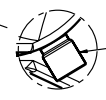
DATE: 06-05-09
SCALE: 1:2
DATE FORMAT: MM-DD-YY
DRAWING NUMBER: 497-0873-00
SHEET 1 OF 2



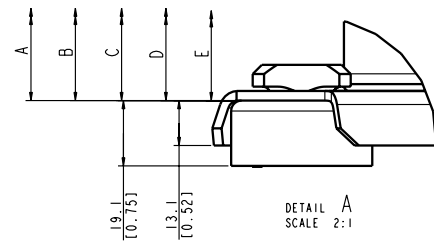
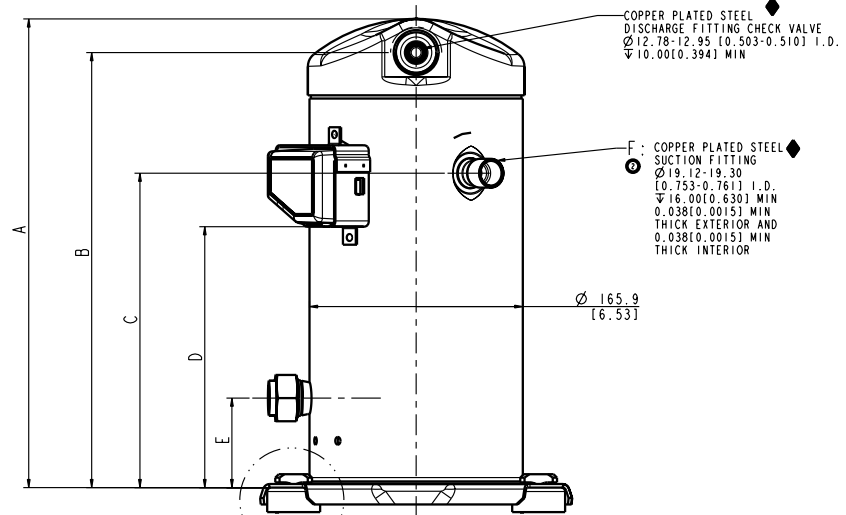
UNCONTROLLED - DO NOT MODIFY



SCALE 2:1



G: COPPER PLATED STEEL SUCTION FITTING
 Ø22.30 - 22.48 [0.8760 - 0.8850] I.D.
 ♣20.40 [0.8031] MIN THICK EXTERIOR AND 0.038[0.0015] MIN THICK INTERIOR



DETAIL A SCALE 2:1

SEE DETAIL A

SIGHT GLASS



INTERPRET PER ASME Y14.2M-1994 AND EMERSON CLIMATE TECHNOLOGIES, INC. DESIGN STANDARDS AND/OR NO. 001.001.001.001. THIS DRAWING IS THE PROPERTY OF EMERSON CLIMATE TECHNOLOGIES, INC. UNLESS OTHERWISE SPECIFIED DIMENSIONS ARE MILLIMETER OR INCH UNLESS INDICATED OTHERWISE. ANGULAR ± 0.5°

ENG NOTICE NO.	REV. NO.	REVISIONS	DATE	BY	CHKD	APPD
ECN00140	3	UPDATED SIGHT GLASS ASSEMBLY	01-27-11	FT	LZC	CM
ECN002512	2	ADDED 1/8 INCH SUCTION FITTING	06-01-10	FT	LZC	SK
ECN001809	1	CORRECT THE TYPE ERROR	09-25-09	FT	LZC	SK
ECN001809	0	RELEASED - 00 TO -01	06-05-09	FT	LZC	SK

CONFIDENTIALITY NOTICE	DATE	SCALE	DATE FORMAT
THIS DRAWING AND INFORMATION CONTAINED HEREIN ARE THE EXCLUSIVE PROPERTY OF EMERSON CLIMATE TECHNOLOGIES, INC. AND SHALL BE RETURNED UPON DEMAND AND SHALL NOT BE REPRODUCED IN WHOLE OR IN PART, DISCLOSED TO ANYONE ELSE OR USED, WITHOUT THE WRITTEN CONSENT OF EMERSON CLIMATE TECHNOLOGIES, INC.	N/A	3:4	MM-DD-YY

TITLE	DRAWING NUMBER	SHEET 2 OF 2
REF DWG-WELD COMP ASSM	497-0873-00	6

UNCONTROLLED - DO NOT MODIFY

COPYRIGHT EMERSON CLIMATE TECHNOLOGIES, INC. - CONFIDENTIAL