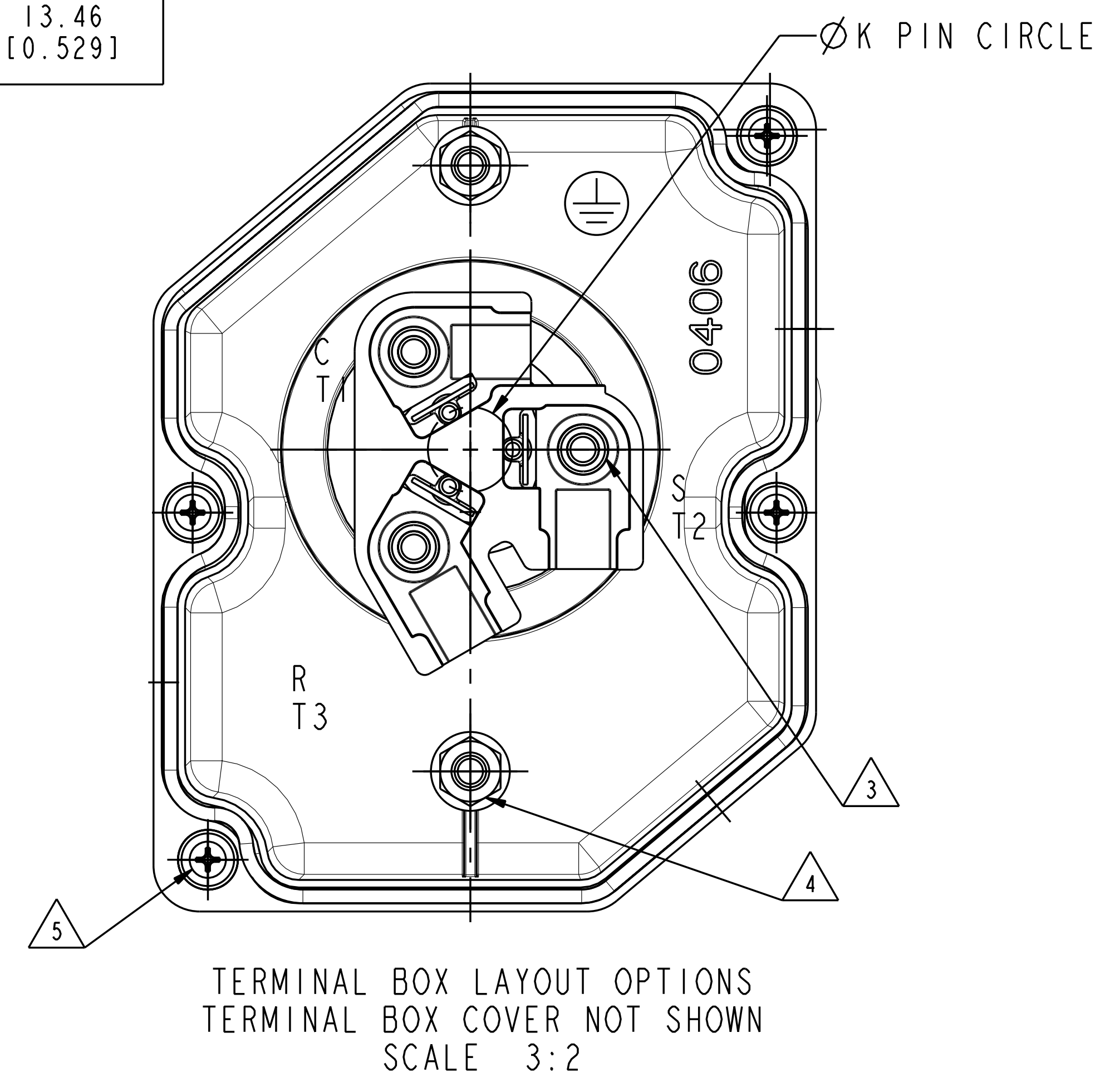
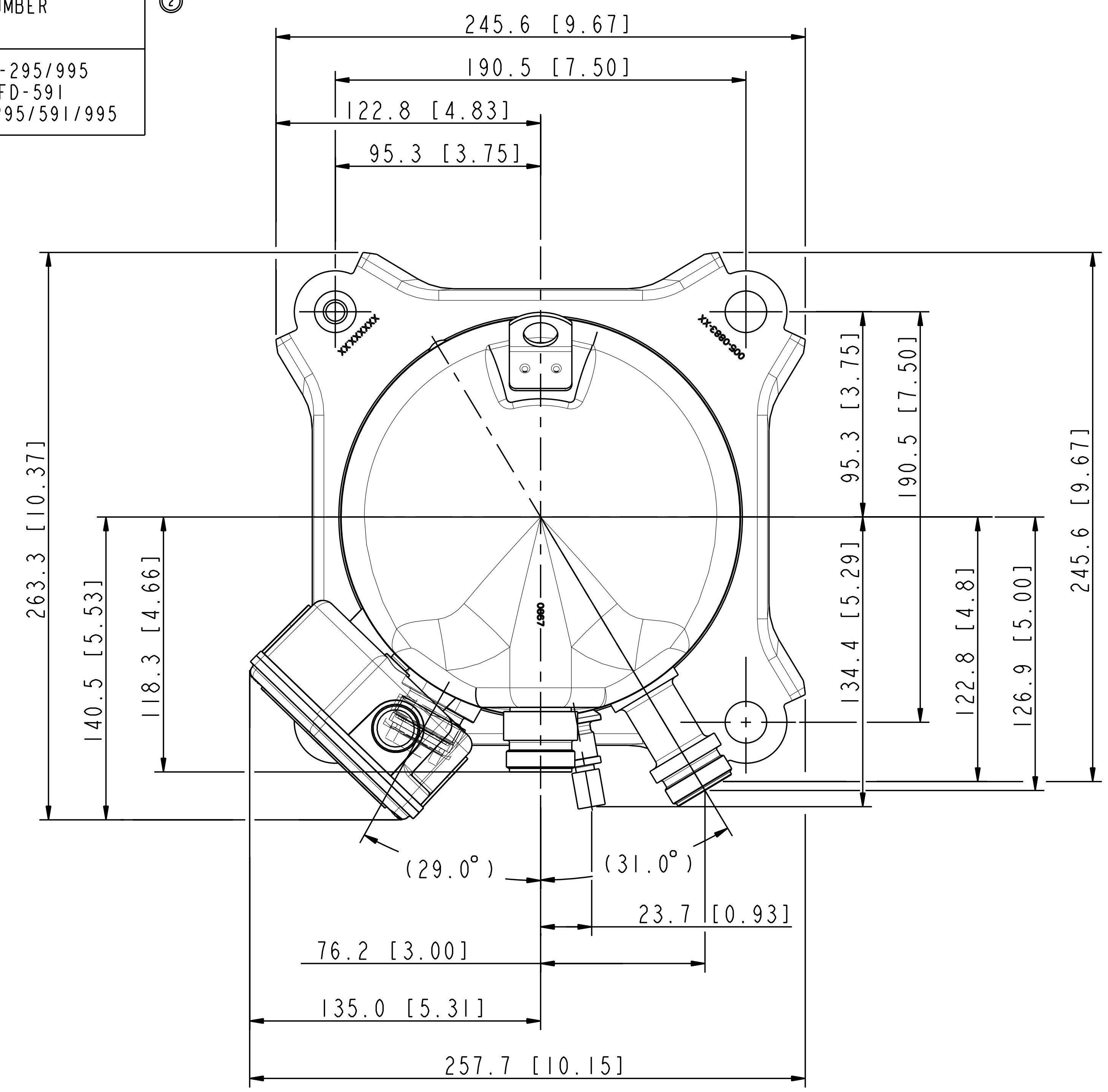


PART NUMBER	MODEL NUMBER
497-1381-00	ZB48KCE-TF5-295/995 ZB57KCE-TFD-591 ZB57KCE-TF5-295/591/995

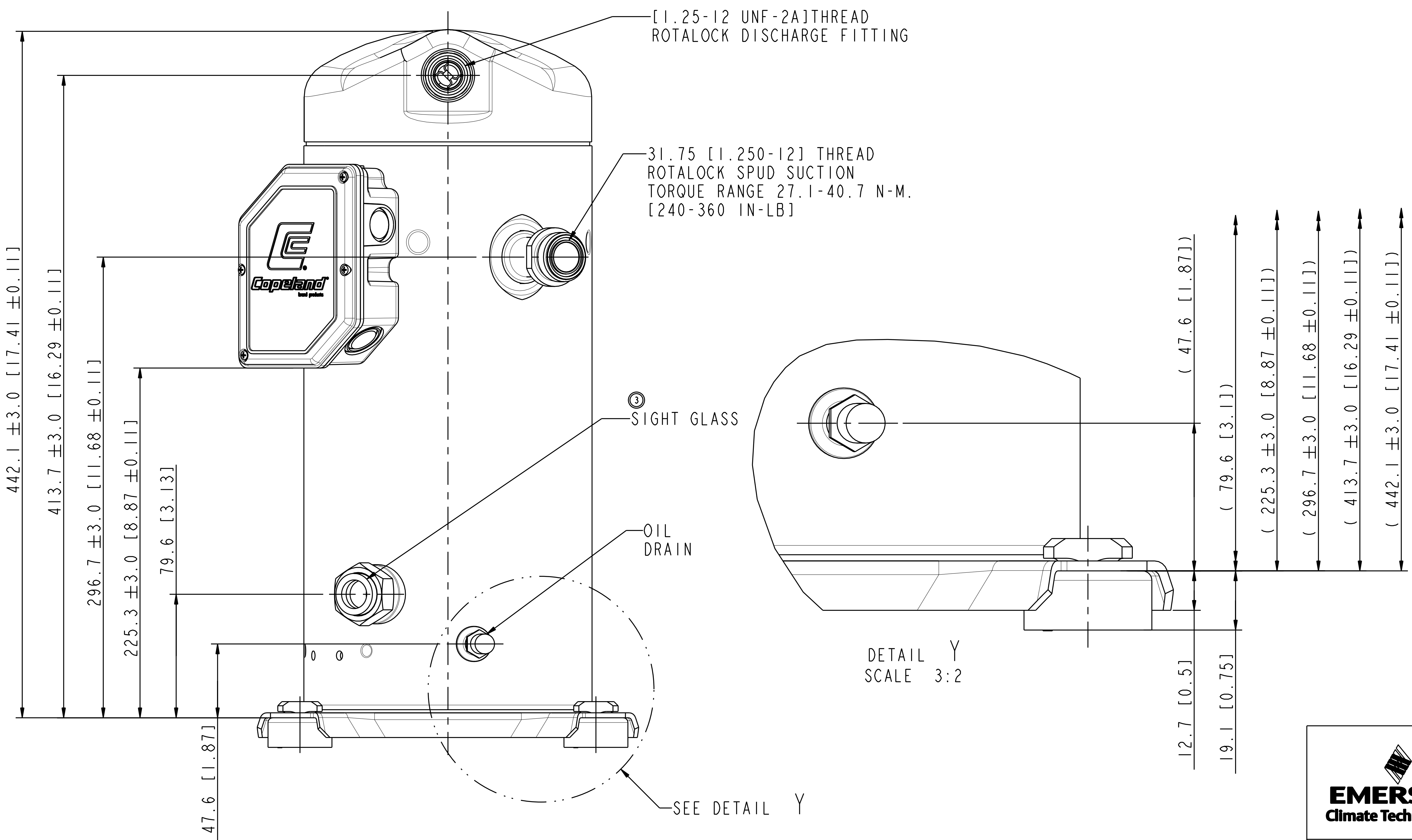
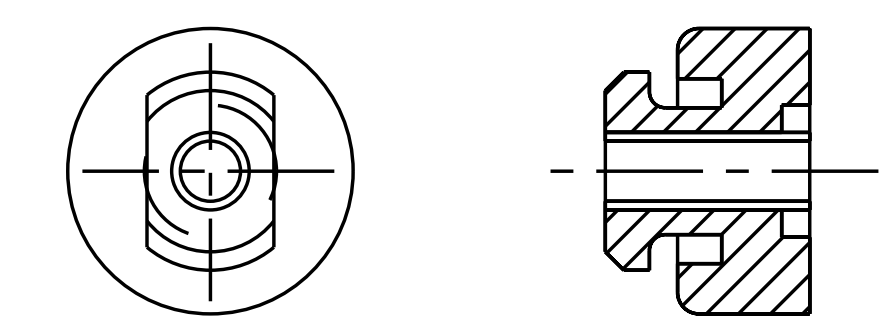
MOTOR TYPE	Ø K PIN CIRCLE
TFD	17.45 [0.687]
TF5	13.46 [0.529]

SPECIFICATIONS	
ES NO.	DESCRIPTION
ES22-122	PACKAGING
ES81-159	CLEANLINESS
ES81-250	IDENTIFICATION
ES92-155	CONVERSION-METRIC
ES92-167	REGULATORY COMPLIANCE



- NOTES:
- 1. ALL TOLERANCES ± 1.50 [0.060] UNLESS OTHERWISE SPECIFIED.
 - DUE TO ACCUMULATED ASSEMBLY TOLERANCES THE LISTED COMPONENTS MAY VARY FROM THE MOUNTING HOLES AS SHOWN BELOW:
 - SUCTION FITTING : ± 3.0 [0.12]
 - DISCHARGE FITTING: ± 3.0 [0.12]
 - 2. TUBE ENDS MUST BE PLUGGED.
 - 3. TORQUE T-BLOCK SCREWS TO 1.4-1.7 Nm [12-15 IN LBS].
 - 4. TORQUE STUD NUTS SCREWS TO 3.6-4.4 Nm [32-39 IN LBS].
 - 5. TORQUE T-BOX COVER SCREWS TO 1.0-1.2 Nm [9-11 IN LBS].
 - 6. FOR MORE INFORMATION SEE PRODUCT CATALOG.
 - 7. FULL HEIGHT OF COMPRESSOR DOES NOT INCLUDE MOUNTING SPACERS.
 - 8. MOUNTING KIT:

GROMMET DUROMETER	4 FOOT KIT
35-45	527-0116-00



USE COPPER CONDUCTORS ONLY. USE THIS EQUIPMENT ON A GROUNDING SYSTEM ONLY. USE MINIMUM 75°C WIRE FOR AMPACITY DETERMINATION. INTERNAL MOTOR PROTECTION-ALLOW TIME FOR RESET. PRIMARY SINGLE PHASE FAILURE PROTECTION IS PROVIDED.

1405

CRANKCASE HEATER, WHEN APPLIED, MUST BE CONNECTED ONLY TO ITS RATED VOLTAGE. OVERCURRENT PROTECTION DEVICE RATING AND TYPE MUST BE IN ACCORDANCE WITH REGULATORY AGENCY END PRODUCT APPROVALS -SEE SYSTEM NAMEPLATE TO CORRECT IMPROPER MOTOR ROTATION SWITCH ANY TWO SUPPLY LINES.

L1
L2
L3

MOTOR WINDING CONNECTION



INTERPRET PER ASME Y14.5M-1994 AND EMERSON CLIMATE TECHNOLOGIES, INC. DESIGN STANDARDS DS2002 DO NOT SCALE DRAWING

THIRD ANGLE PROJECTION

CRITICAL PRODUCT CHARACTERISTIC

UNLESS OTHERWISE SPECIFIED DIMENSIONS ARE MILLIMETER OR (INCH)

TOLERANCES:
1-PLACE \pm
2-PLACE \pm
ANGULAR \pm

ECN004357	3	PICTORIALLY REVISED PRINT TO REFLECT SIGHT GLASS FITTING	09-01-14	AMN	DC	BH
ECN006960	2	ADDED MODEL NUMBER TABLE	12-11-13	VVP	DC	KK
ECN005523	1	UPDATED NOTES 3,4,5	08-03-12	CX	DC	DC
ECN005523	0	RELEASED	04-27-12	CX	DC	DC
ENG NOTICE NO.	REV. NO.	REVISIONS	DATE	BY	CHKD	APPR
<p>THIS DRAWING AND INFORMATION CONTAINED HEREIN ARE THE EXCLUSIVE PROPERTY OF EMERSON CLIMATE TECHNOLOGIES, INC. AND SHALL BE RETURNED UPON DEMAND AND SHALL NOT BE REPRODUCED IN WHOLE OR IN PART, DISCLOSED TO ANYONE ELSE OR USED, WITHOUT THE WRITTEN CONSENT OF EMERSON CLIMATE TECHNOLOGIES, INC.</p>						
MATERIAL SPECIFICATION			DRAWN BY	SUPERSEDES DWG. NO. / REV. NO.		
NA			CX			
DATE			DATE	SCALE		
04-27-12			04-27-12	3:4		
TITLE			DRAWING NUMBER		SHEET 1 OF 1	
REF DWG-WELD COMP ASSM			497-1381-00		5	