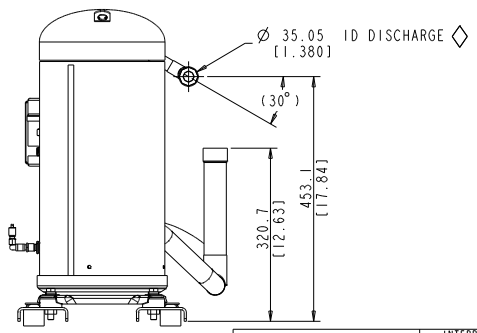
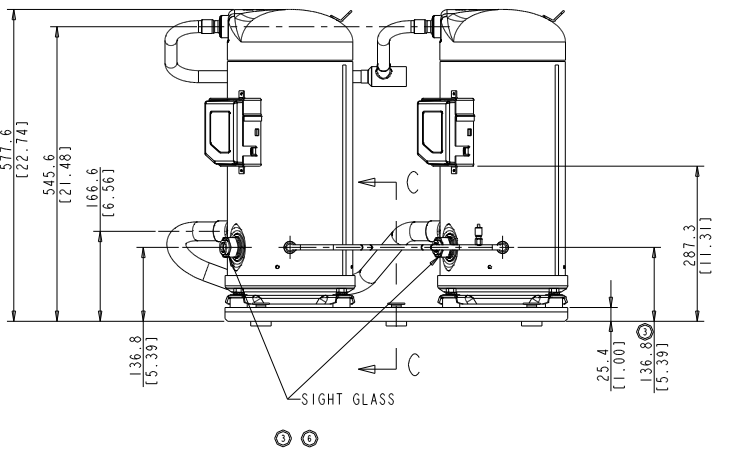
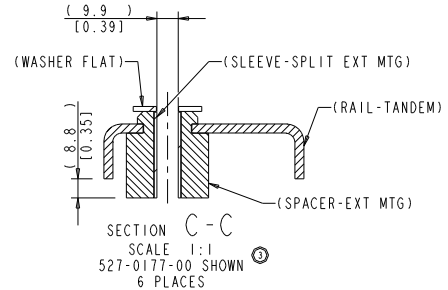
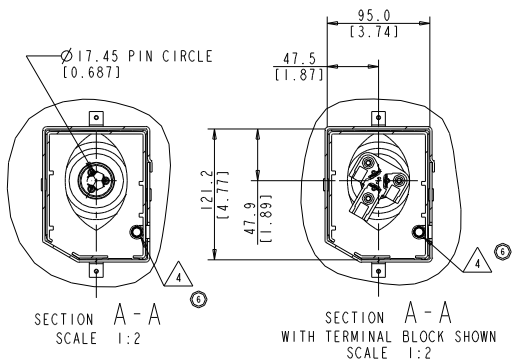
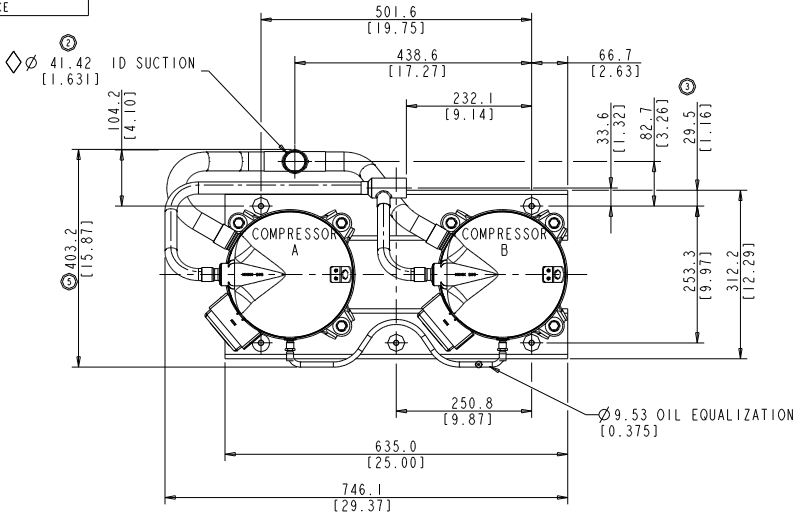
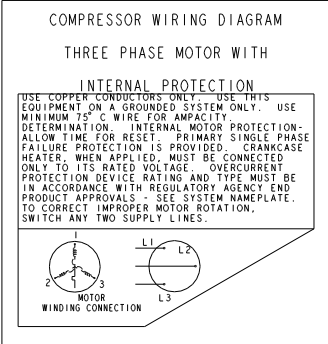


MODEL NUMBER
ZRT216KC/KCE
ZRT250KC/KCE
ZRT288KC/KCE
ZPT206KCE
ZPT240KCE
ZPT274KCE

SPECIFICATIONS	
ES NO.	DESCRIPTION
ES92-155	CONVERSION-METRIC



- NOTES:
- ① Δ ALL TOLERANCES ± 1.5 [0.06] UNLESS OTHERWISE SPECIFIED. DUE TO ACCUMULATED ASSEMBLY TOLERANCES THE LISTED COMPONENTS MAY VARY FROM THE MOUNTING HOLES AS TABULATED.
 - \diamond SUCTION FITTING ± 3.0 [0.12]
 - \diamond DISCHARGE FITTING ± 3.0 [0.12]
 - 2. MOUNTING KIT: 527-0177-00
 - 3. TUBE ENDS MUST BE PLUGGED.
 - ③ Δ GROUNDING SCREW AND WASHER PER BOM



EMERSON
Climate Technologies

Copeland

INTERPRET PER ASME Y14.5M-1994 AND EMERSON CLIMATE TECHNOLOGIES, INC. DESIGN STANDARD DS2002 DO NOT SCALE DRAWING

CRITICAL PRODUCT CHARACTERISTIC

UNLESS OTHERWISE SPECIFIED DIMENSIONS ARE MILLIMETER OR (INCH) TOLERANCES

1-PLACE \pm N/A
2-PLACE \pm N/A
ANGULAR \pm N/A

ECN001988	6	ADDED NOTES AND CHANGED SIGHT GLASS	01-20-11	LG	MD	VC
ECN001607	5	UPDATE TANDEM WIDTH	10-15-09	XHT	LLB	KJR
ECN001607	4	UPDATE DRAWING WITH ASSM-OIL EQUALIZATION	07-31-09	XHT	LLB	KJR
ECN001411	3	UPDATED NOTES & SCHEMATIC	11-12-08	PBM	LLB	KJR
ECN000052	2	PICTORIALLY UPDATED STEEL SPACERS	08-08-07	PTM	NJG	KJR
ECN000052	1	CHANGED TPTL TUBE ASSEMBLY	01-18-07	PNA	LLB	KJR
ECN000052	0	RELEASED	05-02-04	NJG	CMK	RST

ENG NOTICE NO.	15	REV. NO.	1	DATE	05-02-06	BY	NJG	CHKD	CMK	APPR	
REVISIONS											
CONFIDENTIALITY NOTICE											
THIS DRAWING AND INFORMATION CONTAINED HEREIN ARE THE EXCLUSIVE PROPERTY OF EMERSON CLIMATE TECHNOLOGIES, INC. AND SHALL BE RETURNED UPON DEMAND AND SHALL NOT BE REPRODUCED IN WHOLE OR IN PART DISCLOSED TO ANYONE ELSE OR USED, WITHOUT THE WRITTEN CONSENT OF EMERSON CLIMATE TECHNOLOGIES, INC.											
MATERIAL SPECIFICATION	N/A	DRAWN BY	NJG	SUPERSEDES Dwg. NO. / REV. NO.		DATE	05-02-06	SCALE	1:4	DATE FORMAT:	MM-DD-YY
TITLE	REF DWG-WELD COMP ASM	DRAWING NUMBER	497-0537-05	SHEET 1 OF 1	4						