



# Specifications

מקט : 7577

AC Axial Fan

Model : YWF6E-630

Type : S-E5C

Coding : E04270468

Version: V1.0

Date : 2022.03.10

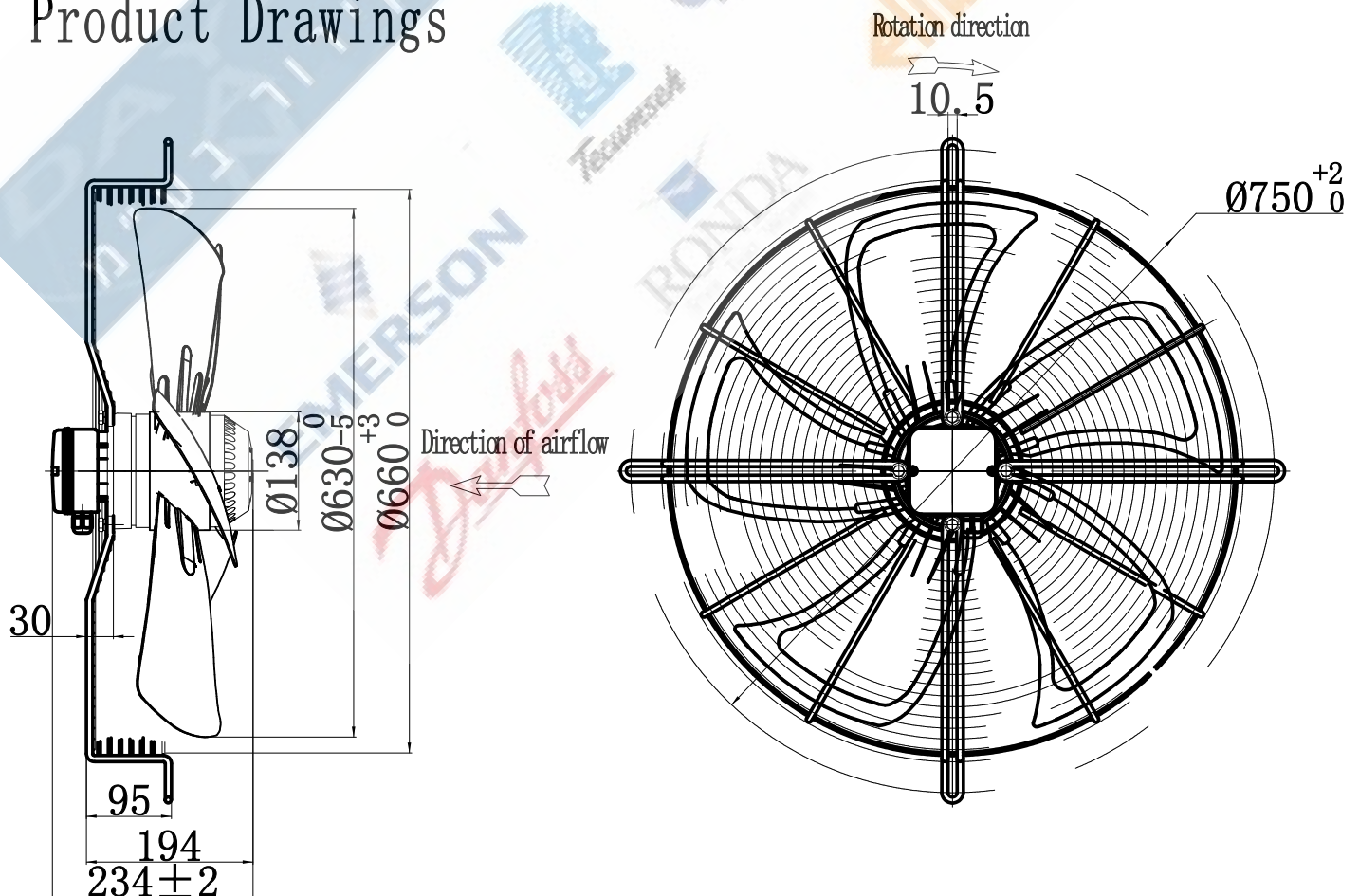
Version	Status	Version update instructions	Date	DRN BY	CHK BY
V1.0	Effective	Initial release	2022-03-10	JX. Chen	XQ. Chen



## Standards

- GB12350 《Safety Requirements of small Power motors》
- EN60335-1 《Safety Requirements of Household of Similar Electrical Appliances》
- The level of balance is in accordance with ISO 1940, G4.0
- Vibration testing and velocity is performed according to JB/T8689.
- This product is certified by China CCC and EU CE
- ISO 9001 quality system certification
- Standard of noise test: ISO 13347 《Determination of fan sound power levels under standardized laboratory conditions》
- The fan performance data is accurate and reliable, conforming to GB/T1236-2017 and 《Industrial fans—performance testing using standardize dairways》 in ISO5801-2007 standards.

## Product Drawings



## Technical Parameters

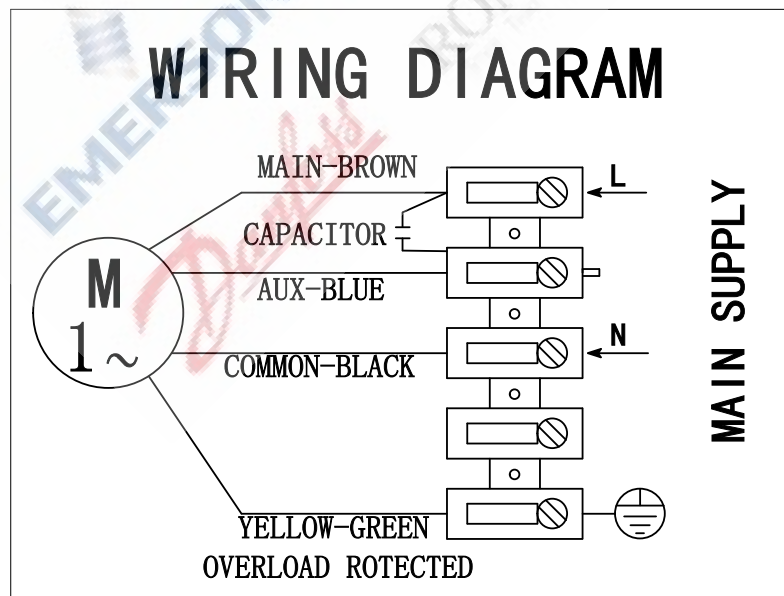
Power supply	Phase	1
Frequency	HZ	50
Wiring		-
Capacitance	$\mu F$	12
Input Voltage	V	220
Input Current	A	1.80
Input Power	W	400
Rated Speed	r/min	900
Fan Noise	dB(A)	68
Fan Steering		Counterclockwise (From the motor)
Fan Life	h	40000
Fan Weight	kg	-
Protection Level		IP54
Insulation Class		F
Balance Level		G4.0
Ambient Temperature	$^{\circ}C$	-40~+60
Environment Humidity		$\leq 90\%RH$
Impeller Material		Metal
Spray Color		-
Operating Status		S1



# Label and Product wiring diagram

External Rotor Axial Fan					CE
YWF6E-630	S-E5C	E04270468			EAC
220V	50Hz	1.80A	400W	12 $\mu$ F/450V	
900r/min	8040m <sup>3</sup> /h	90Pa	CL.F	Date:2022.XX	

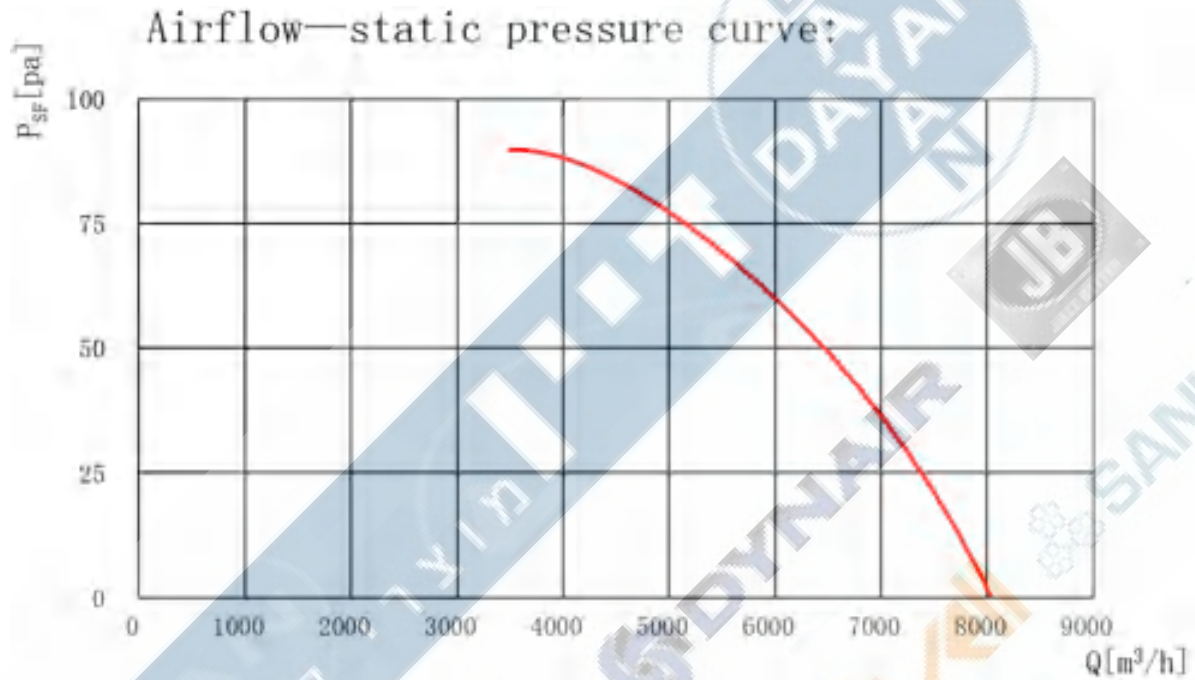
# Product wiring diagram







## Product Performance



St. P.	Air Flow	Speed	Voltage	Freq.	Current	Power
Pa	m <sup>3</sup> /h	RPM	V	Hz	Amp	W
0	8038	951	230	50	1.45	314
22	7501	944	230	50	1.56	340
36	7000	937	230	50	1.60	352
49	6502	934	230	50	1.67	368
59	6000	930	230	50	1.71	382
70	5502	926	230	50	1.75	387
78	5002	922	230	50	1.81	403
84	4501	920	230	50	1.83	410
87	4000	916	230	50	1.85	408
90	3501	914	230	50	1.82	403