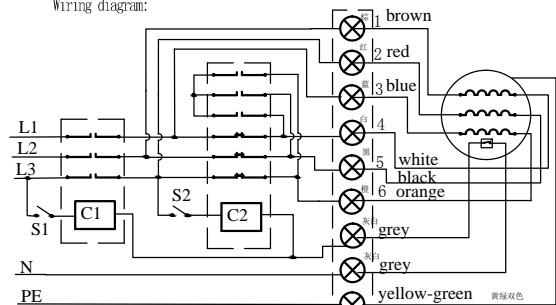


Wiring diagram:



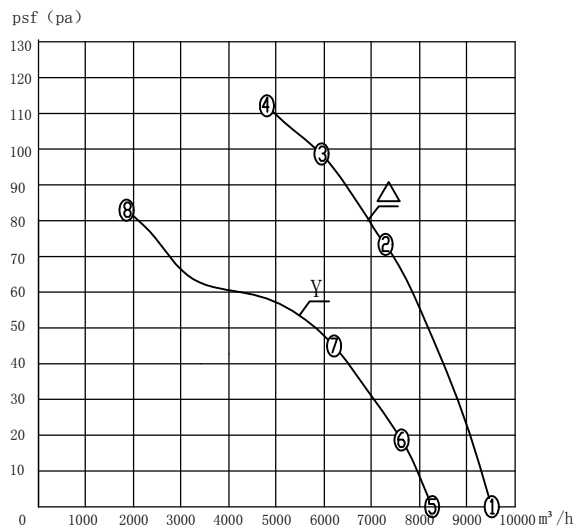
C1 - run control contactor, S1 connection, fan operation;
C2 - Y/A operation control contactor, S2 disconnect, A connection; S2 line, Y connection

Technical specification:

- All parts of fan should be properly assembled, no oil or dirt on the surface, no obvious distortion, mechanical damage and other defects.
- Fan rotation is flexible, no delay, no operation sound, no scratch and other undesirable phenomena.
- The safety requirement of fan is performed according to GB12350-2009, the electrical strength is 1800V.S, and the insulation resistance is not less than 100MΩ at room temperature.
- Motor insulation class, F CLASS.
- Motor protection level, IP54, fan protection level, IP2X.
- The fan balance level is: $930 \pm 10\%$ r/min high than G6.3, vibration value is less than 5.4mm/s.
- External TMP.

Nameplate:

	DYN-6D S630-T-F 400V/50Hz CL.F	
	△ : 520W 1.32A 930r/min	
	Y : 370W 0.67A 800r/min IP54 2018/07	



PS: Fan working performance tested with Waer wall plate, and under standard atmospheric pressure at 20 °C.

Performance parameters at key point:

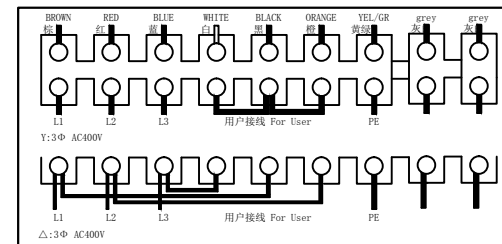
△	psf	I	P1	n	Q	Note
	(pa)	(A)	(W)	(r/min)	(m³/h)	
①	0	1.16	373	947	9510	
②	72	1.22	459	931	7362	
③	97	1.22	485	925	6047	MAX EFF.
④	112	1.25	509	920	4777	IMAX
Y						
⑤	0	0.83	277	823	8260	
⑥	18	0.87	297	804	7640	
⑦	45	0.94	326	775	6206	MAX EFF.
⑧	83	1.13	397	693	1863	IMAX

Product model	YSWF102L70P6-753N-630 S
product type	External rotor axial flow fan
customer	以色列DAYAN
Product number	
certification	CCC、CE

Condition of use:

- voltage and frequency: $\Delta/Y, 3 \sim 400 \text{ V} \pm 5\%$, 50 Hz 。
- qualification requirements: Terminal block, the recommended standard of lead wire is not less than 0.75 mm^2 .
- Installation position: vertical or upward.
- ambient temperature: $-40 \sim 60^\circ\text{C}$ 。

The external wiring diagram:



Test data at free :

connection	UAC (V)±5%	F (Hz)	P1 (W) ±10%	I (A) ±10%	n (r/min) ±10%	Noise dB(A)
△	3~400	50	520	1.32	930	75
Y	3~400	50	370	0.67	800	72

	The signature	(date) (month) (year)	Product Specification
seller before			
state after the confirmation			
drawing			
audit			
approval			