



Specifications

מקט : 7808

AC Axial Fan

Model : YWF4E-300F

Type : B-E5L

Coding : E04030554

Version: V1.0

Date : 2022.07.26

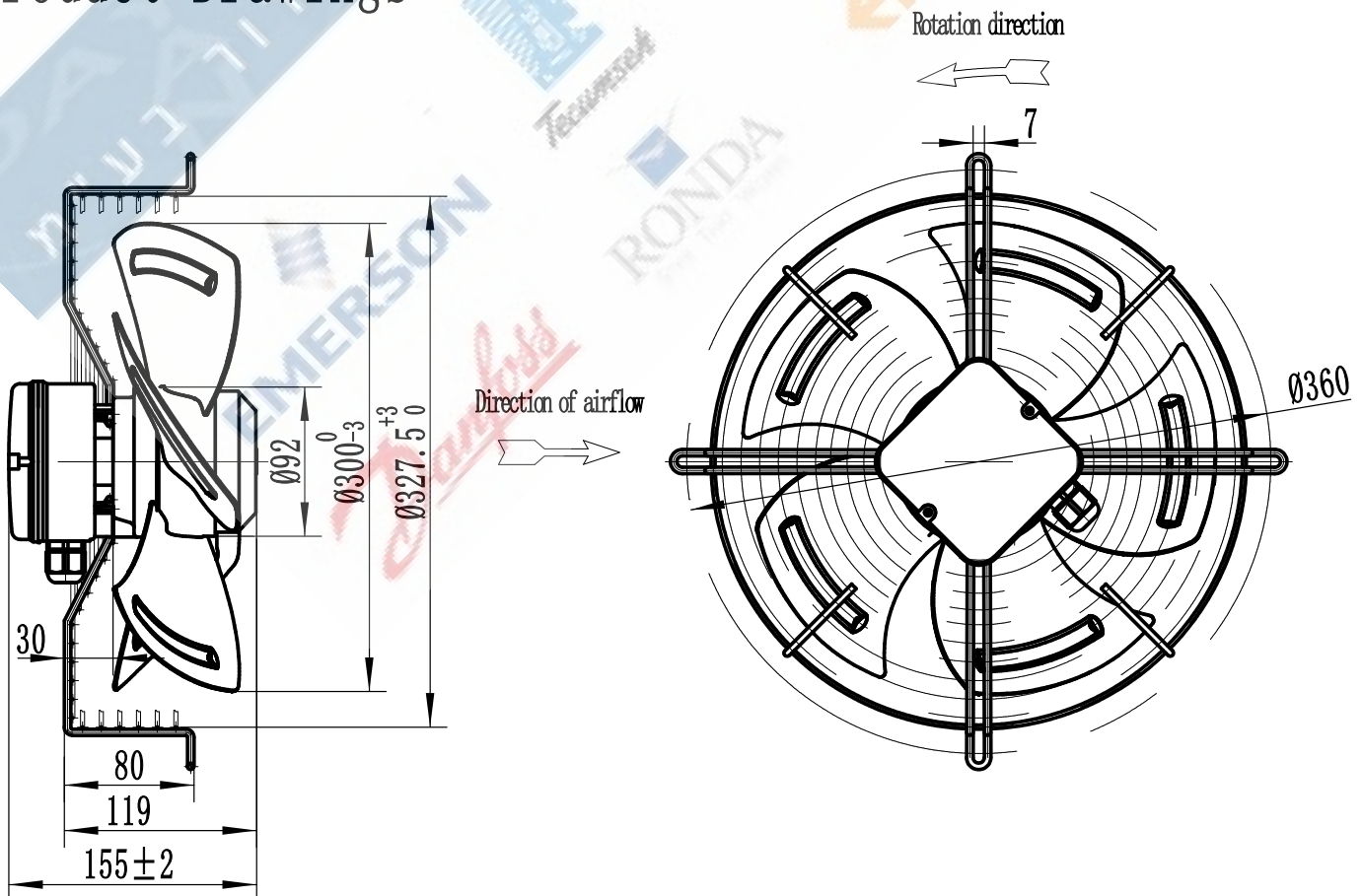
Version	Status	Version update instructions	Date	DRN BY	CHK BY
V1.0	Effective	Initial release	2022-07-26	ZH. Shao	XQ. Chen



Standards

- GB12350 《Safety Requirments of small Power motors》
- EN60335-1 《Safety Requirments of Household of Similar Electrical Appliances》
- The level of balance is in accordance with ISO 1940, G4.0
- Vibration testing and velocity is performed according to JB/T8689.
- This product is certified by China CCC and EU CE
- ISO 9001 quality system certification
- Standard of noise test:ISO 13347 《Determination of fan sound power levels under standardized laboratory conditions》
- The fan performance data is accurate and reliable, conforming to GB/T1236-2017 and 《Industrial fans-performance testing using standardize dairways》 in ISO5801-2007 standards.

Product Drawings





Technical Parameters

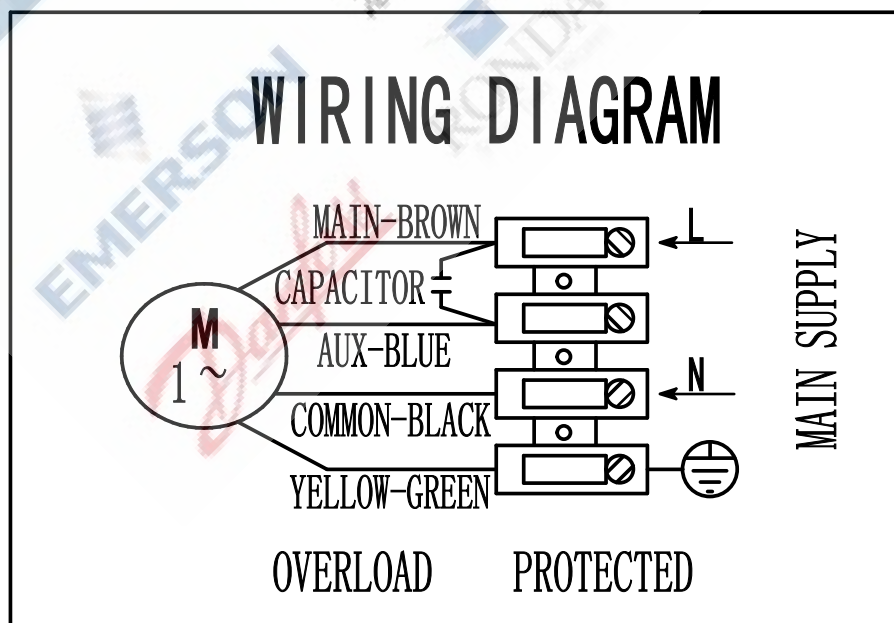
Power supply	Phase	1
Frequency	HZ	50
Wiring	-	-
Capacitance	μF	2.5
Input Voltage	V	220
Input Current	A	0.48
Input Power	W	100
Rated Speed	r/min	1325
Fan Noise	dB(A)	60
Fan Steering		Clockwise(From the motor)
Fan Life	h	40000
Fan Weight	kg	-
Protection Level		IP54
Insulation Class		F
Balance Level		G4.0
Ambient Temperature	$^{\circ}C$	-40~+60
Environment Humidity		$\leq 90\%RH$
Impeller Material		Metal
Spray Color		-
Operating Status		S1



Label

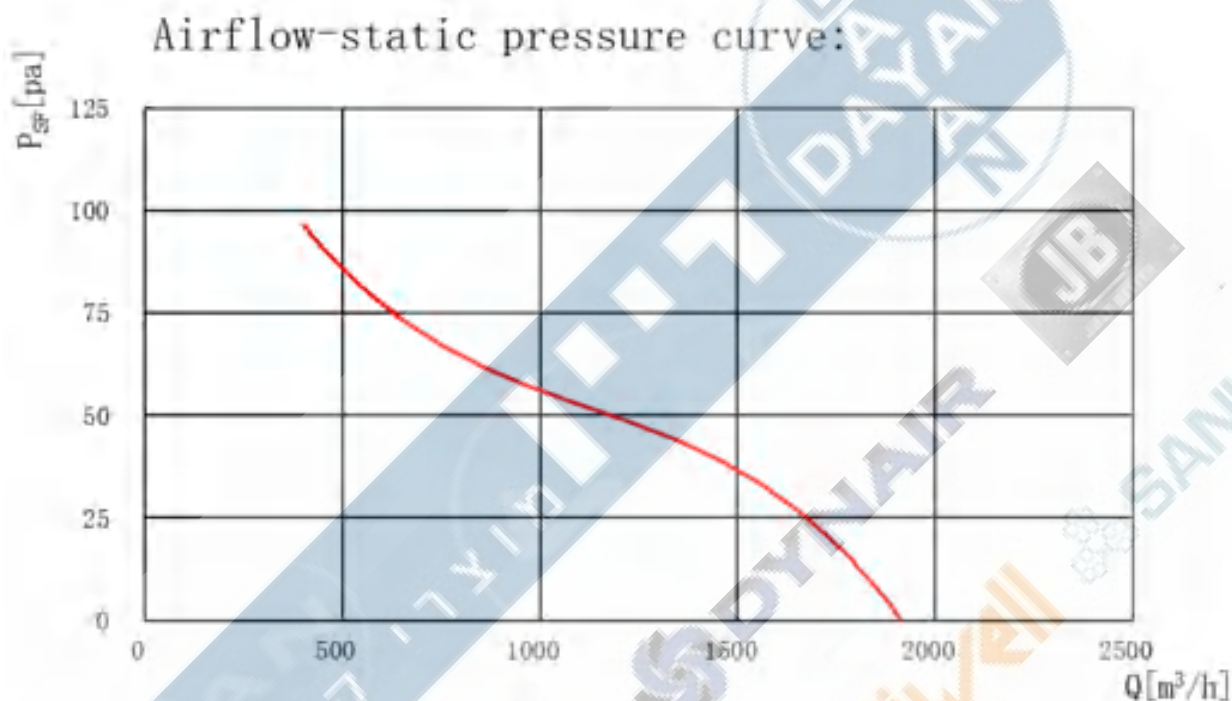
External Rotor Axial Fan					CE
YWF4E-300F	B-E5L	E04030554			EAC
220V	50Hz	0.48A	100W	2.5 μ F/450V	
1325r/min	1920m ³ /h	60Pa	CL.F	Date:2022.XX	

Product wiring diagram





Product Performance



St. P.	Air Flow	Speed	Voltage	Freq.	Current	Power
Pa	m3/h	RPM	V	Hz	Amp	W
0	1915	1384	222	50	0.37	78
14	1800	1377	221	50	0.38	82
30	1600	1350	222	50	0.40	85
42	1400	1339	222	50	0.41	89
49	1201	1320	221	50	0.43	93
57	1001	1312	222	50	0.44	96
62	800	1310	221	50	0.44	95
80	600	1275	221	50	0.47	103
96	401	1230	221	50	0.51	111