



Specifications

מקט : 7816

AC Axial Fan

Model : YWF4D-350

Type : S-E5L

Coding : E04070330

Version: V1.0

Date : 2022.01.14

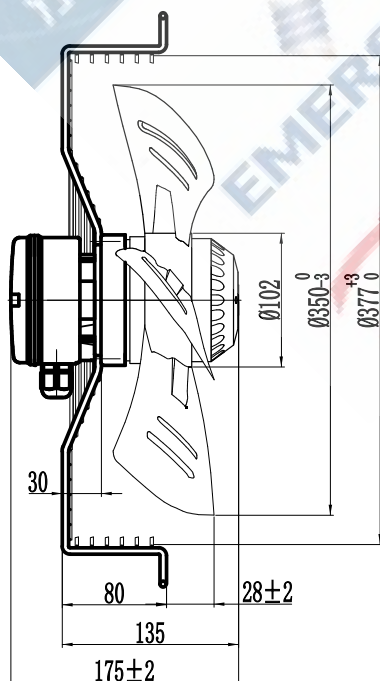
Version	Status	Version update instructions	Date	DRN BY	CHK BY
V1.0	Effective	Initial release	2022-01-14	JX. Chen	XQ. Chen



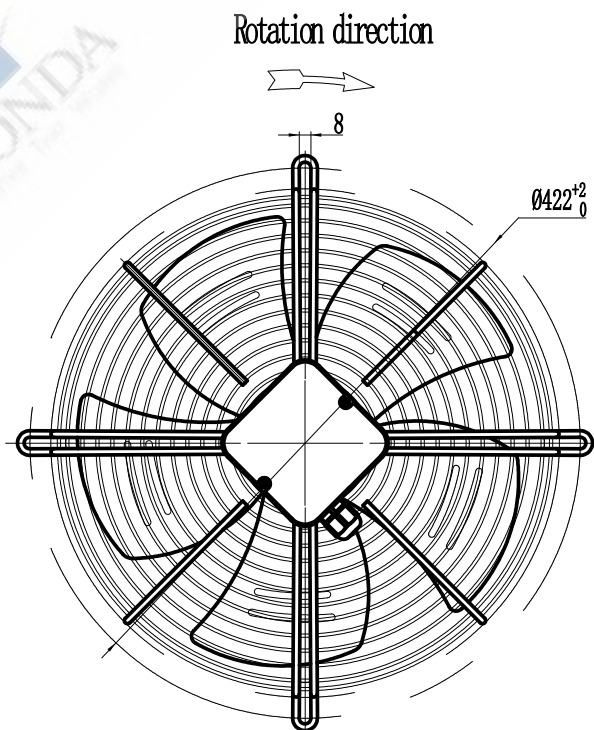
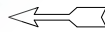
Standards

- GB12350 《Safety Requirements of small Power motors》
- EN60335-1 《Safety Requirements of Household of Similar Electrical Appliances》
- The level of balance is in accordance with ISO 1940, G4.0
- Vibration testing and velocity is performed according to JB/T8689.
- This product is certified by China CCC and EU CE
- ISO 9001 quality system certification
- Standard of noise test: ISO 13347 《Determination of fan sound power levels under standardized laboratory conditions》
- The fan performance data is accurate and reliable, conforming to GB/T1236-2017 and 《Industrial fans-performance testing using standardize dairways》 in ISO5801-2007 standards.

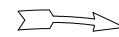
Product Drawings



Direction of airflow



Rotation direction





Technical Parameters

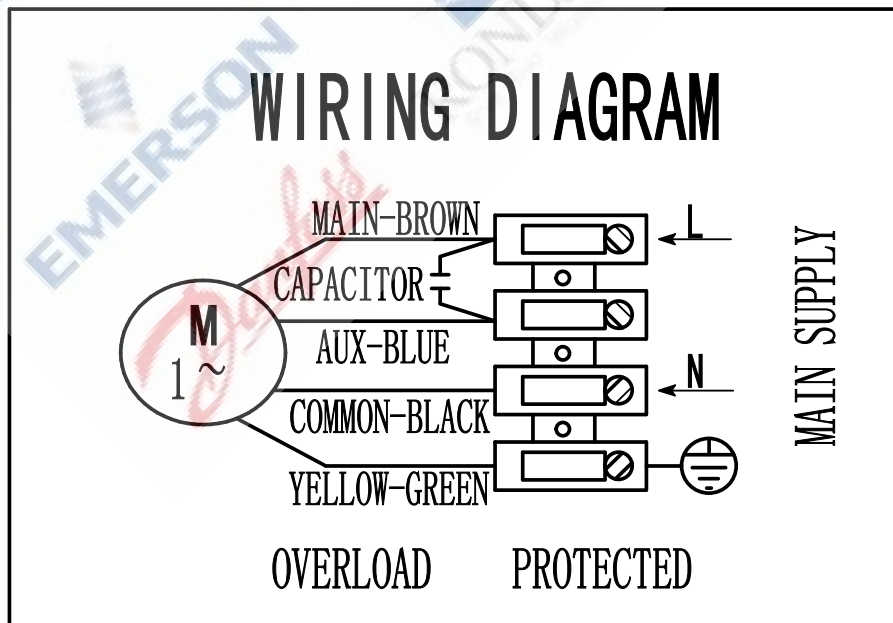
Power supply	Phase	3
Frequency	HZ	50
Wiring	-	Y
Capacitance	μF	-
Input Voltage	V	380
Input Current	A	0.38
Input Power	W	180
Rated Speed	r/min	1360
Fan Noise	dB(A)	65
Fan Steering		Counterclockwise(From the motor)
Fan Life	h	40000
Fan Weight	kg	4.6
Protection Level		IP54
Insulation Class		F
Balance Level		G4.0
Ambient Temperature	$^{\circ}C$	-40~+60
Environment Humidity		$\leq 90\%RH$
Impeller Material		Metal
Spray Color		-
Operating Status		S1



Label

External Rotor Axial Fan				CE
YWF4D-350	S-E5L	E04070330		EAC
380V	50Hz	0.38A	180W	
1360r/min	2800m ³ /h	90Pa	CL.F	Date:2022.XX

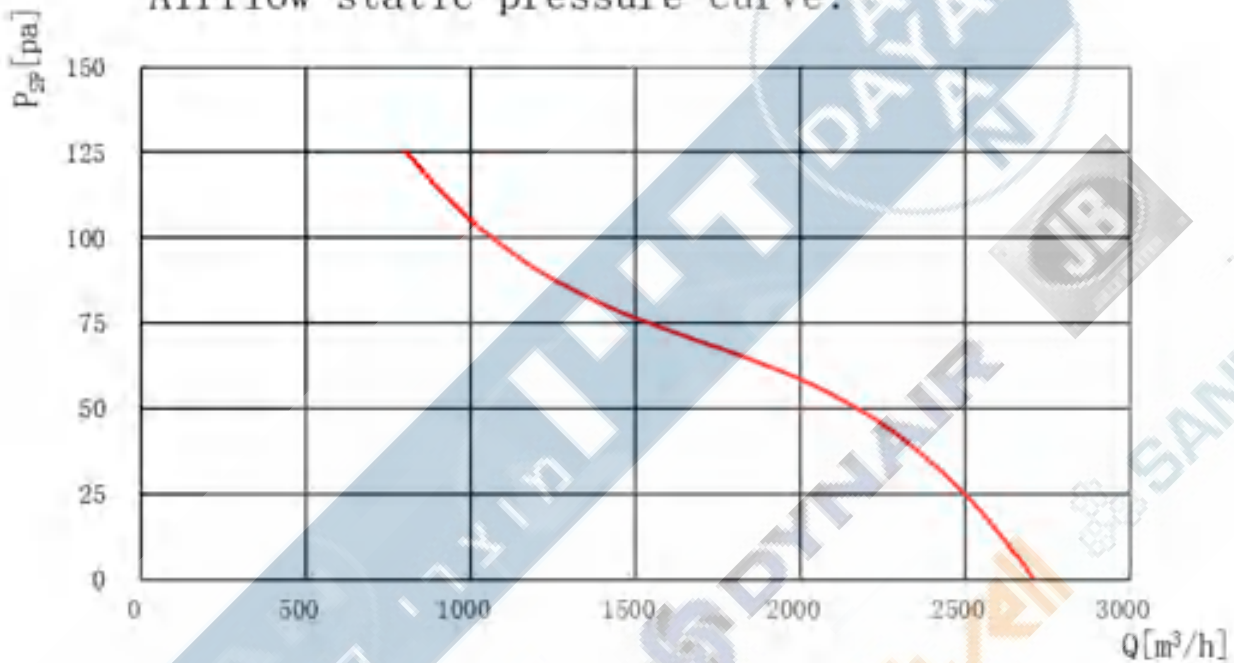
Product wiring diagram





Product Performance

Airflow-static pressure curve:



St. P.	Air Flow	Speed	Voltage	Freq.	Current	Power
Pa	m3/h	RPM	V	Hz	Amp	W
0	2707	1402	384	50	0.35	127
34	2400	1383	384	50	0.35	139
50	2201	1374	381	50	0.35	141
60	2000	1368	383	50	0.36	148
62	1801	1356	385	50	0.37	160
74	1602	1353	386	50	0.37	165
81	1401	1348	385	50	0.37	165
92	1203	1342	382	50	0.38	172
105	1002	1328	384	50	0.38	179
125	802	1312	383	50	0.39	189