



Specifications

7826 : טקט

AC Axial Fan

Model : YWF4E-450

Type : S-E5L

Coding : E04150267

Version: V1.0

Date : 2021.11.02

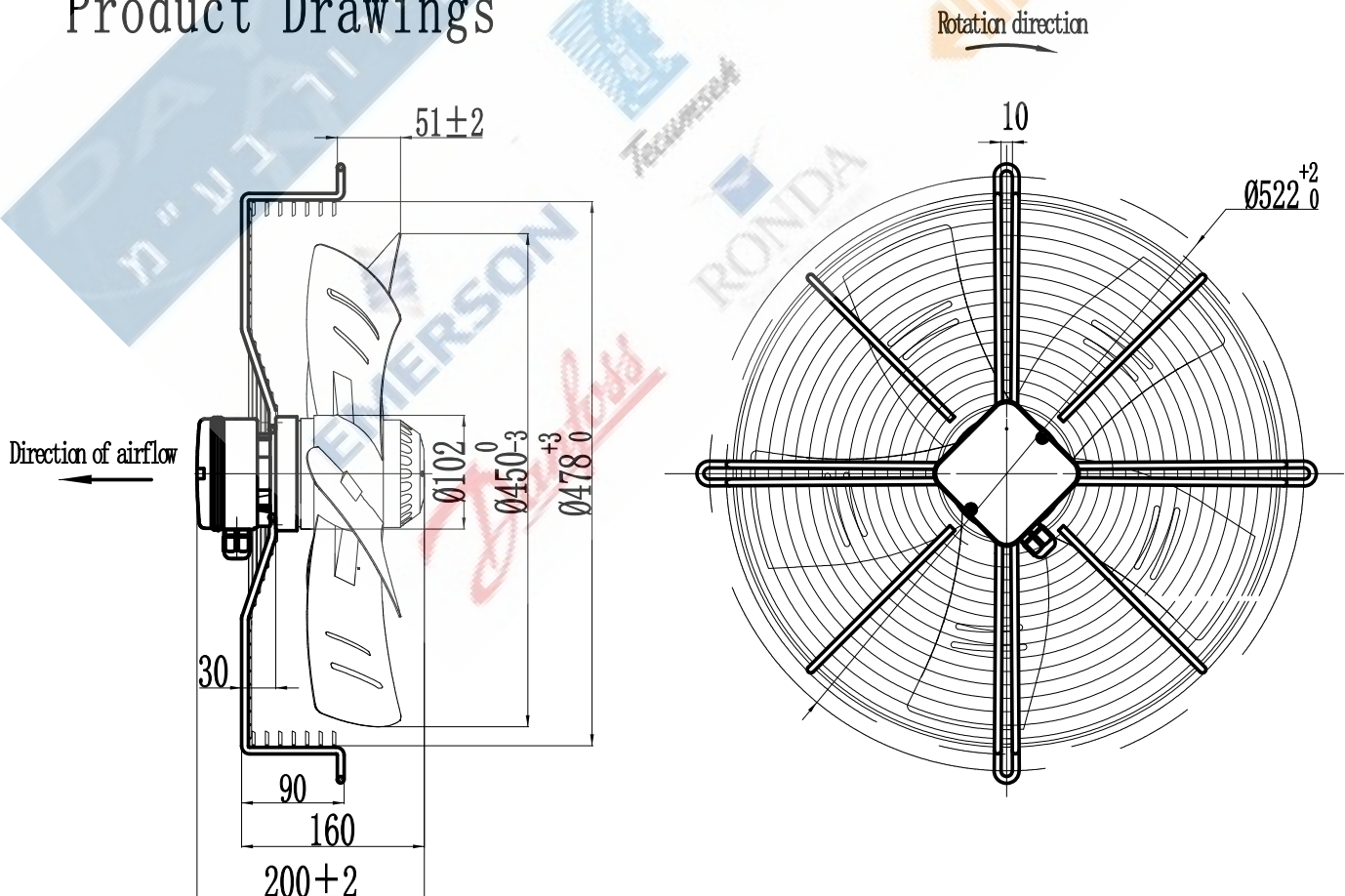
Version	Status	Version update instructions	Date	DRN BY	CHK BY
V1.0	Effective	Initial release	2021-11-02	JX. Chen	XQ. Chen



Standards

- GB12350 《Safety Requirements of small Power motors》
- EN60335-1 《Safety Requirements of Household of Similar Electrical Appliances》
- The level of balance is in accordance with ISO 1940, G4.0
- Vibration testing and velocity is performed according to JB/T8689.
- This product is certified by China CCC and EU CE
- ISO 9001 quality system certification
- Standard of noise test: ISO 13347 《Determination of fan sound power levels under standardized laboratory conditions》
- The fan performance data is accurate and reliable, conforming to GB/T1236-2017 and 《Industrial fans-performance testing using standardize dairways》 in ISO5801-2007 standards.

Product Drawings





Technical Parameters

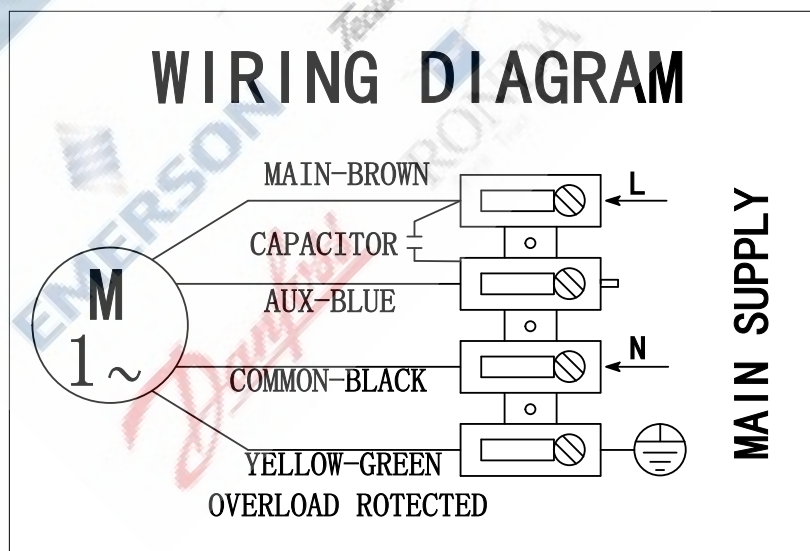
Power supply	Phase	1
Frequency	HZ	50
Wiring		-
Capacitance	μF	8
Input Voltage	V	230
Input Current	A	1.15
Input Power	W	270
Rated Speed	r/min	1360
Fan Noise	dB(A)	70
Fan Steering		Counterclockwise (From the motor)
Fan Life	h	40000
Fan Weight	kg	6.8
Protection Level		IP54
Insulation Class		F
Balance Level		G4.0
Ambient Temperature	$^{\circ}C$	-40~+60
Environment Humidity		$\leq 90\%RH$
Impeller Material		Metal
Spray Color		-
Operating Status		S1



Label

External Rotor Axial Fan					CE
YWF4E-450	S-E5L	E04150267			EAC
230V	50Hz	1.15A	270W	8 μ F/450V	
1360r/min	4711m ³ /h	110Pa	CL.F	Date:2021.XX	

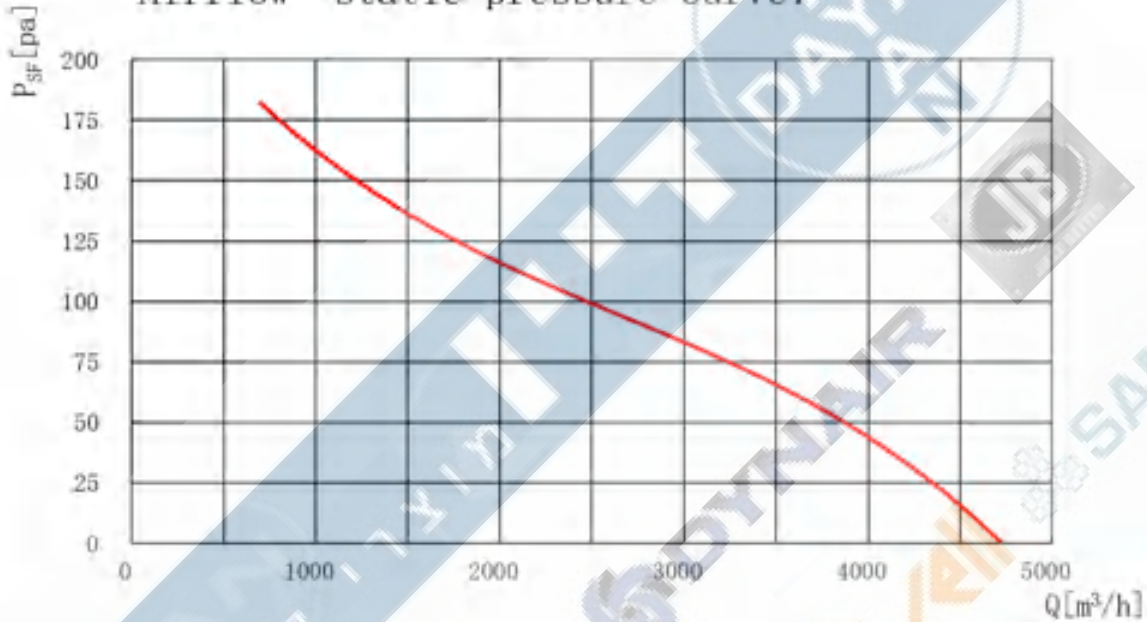
Product wiring diagram





Product Performance

Airflow—static pressure curve:



St. P.	Air Flow	Speed	Voltage	Freq.	Current	Power
Pa	m3/h	RPM	V	Hz	Amp	W
0	4719	1422	231	50	1.01	214
33	4208	1404	232	50	1.08	233
61	3711	1383	231	50	1.13	250
75	3201	1369	230	50	1.19	264
92	2700	1346	231	50	1.27	281
106	2196	1338	230	50	1.29	289
128	1698	1313	231	50	1.40	318
146	1385	1289	232	50	1.48	334
181	699	1203	231	50	1.70	385