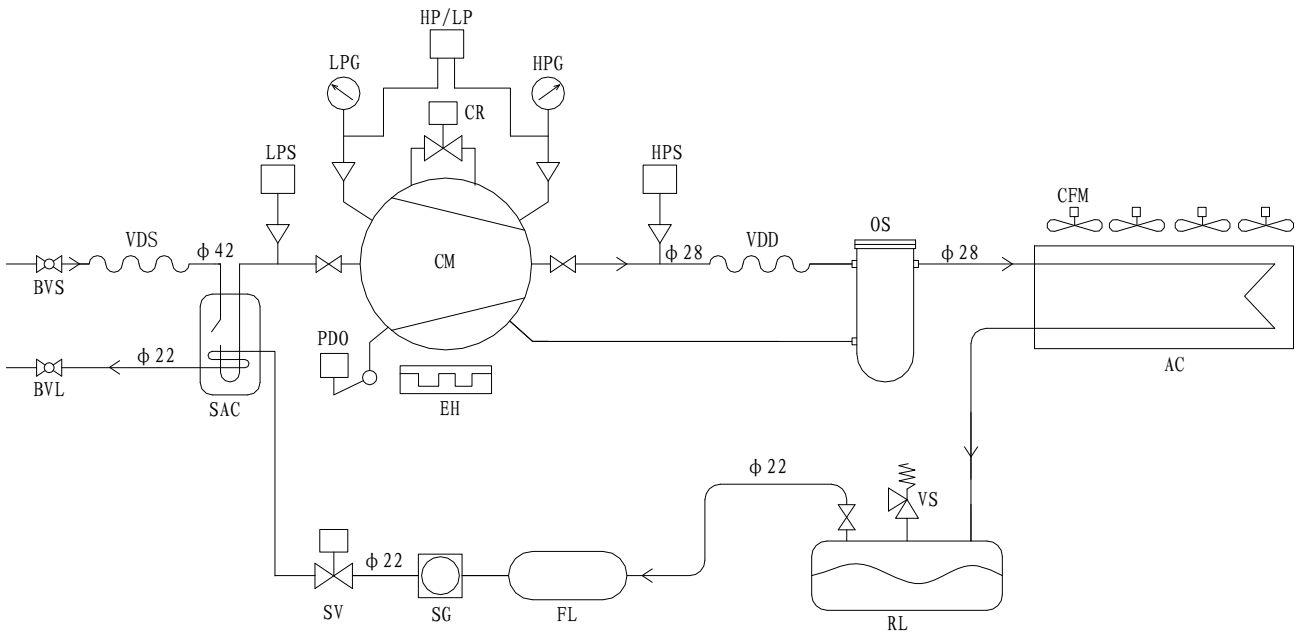


Design scheme of condensing unit 2026.04.18

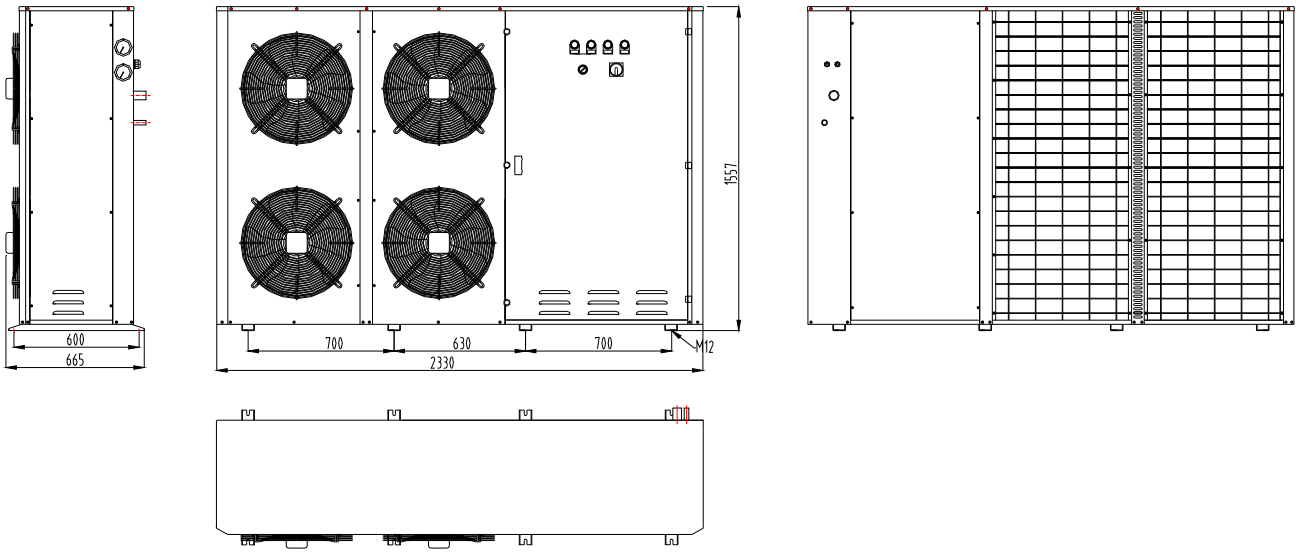
1. Design condition

Unit model : BGS20MYB-T-CR			
Compressor model	4NES-20Y-40P 4NES-14Y-40P	Refrigerant	R404A
Power supply	400V/3PH/50Hz	Refrigeration capacity@50Hz	36.6 KW
Design evaporating temperature	0°C	Input power@50Hz	15.5KW
Design condensation temperature	50°C	Condensation load@50Hz	52.0 KW
Design ambient temperature	35°C	Compressor rated current@50Hz	25.8A
Design max. ambient temperature	45°C	Compressor maximum current	33.2A or 26.6A
Suction gas superheat	10K	Compressor capacity regulator	50%

2 . Flowchart of the refrigeration system



4. Dimension of condensation unit



5. Electrical diagram

