



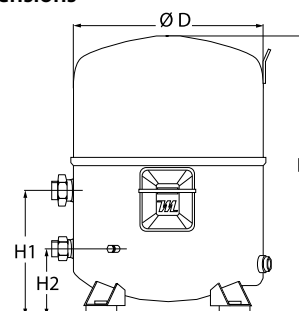
Datasheets

Maneurop[®] Reciprocating compressors MT / MTZ / MPZ / NTZ



General Characteristics

Model number (on compressor nameplate)		MT160HW4D
Code number for Industrial pack**		MT160-4M
Drawing number		8504014e
Suction and discharge connections		Rotolock
Suction connection		1-3/4 " Rotolock
Discharge connection		1-1/4 " Rotolock
Suction connection with supplied sleeve		1-1/8 " ODF
Discharge connection with supplied sleeve		3/4 " ODF
Oil sight glass		Brazed
Oil equalisation connection		None
Oil drain connection		None
LP gauge port		Schrader
IPR valve		30 bar / 8 bar
Cylinders		4
Swept volume		271,55 cm ³ /rev
Displacement @ Nominal speed		47.3 m ³ /h @ 2900 rpm - 57.0 m ³ /h @ 3500 rpm
Net weight		69 kg
Oil charge		3,9 litre, Mineral - 160P
Maximum system test pressure Low Side / High side		25 bar(g) / 30 bar(g)
Maximum differential test pressure		30 bar
Maximum number of starts per hour		12
Refrigerant charge limit		10 kg
Approved refrigerants		R22, R417A-160PZ

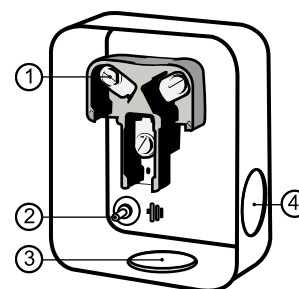
Dimensions


D=352 mm

H=540 mm

H1=233 mm

H2=125 mm

Terminal box


IP54 (with cable gland)

1: Screw connectors 10-32 UNF x 9.5

2: Earth M4-12

3: Knock-out Ø 29 mm (1.14")

4: Knock-out Ø 25.5 mm (1.00")

Electrical Characteristics

Nominal voltage	380-400V/3/50Hz - 460V/3/60Hz
Voltage range	340-440 V @ 50Hz - 414-506 V @ 60Hz
Winding resistance (between phases) +/- 7% at 25°C	1.1 Ω
Maximum Continuous Current (MCC)	36 A
Locked Rotor Amps (LRA)	140 A
Motor protection	Internal overload protector

Recommended Installation torques

Oil sight glass	0 Nm
Power connections / Earth connection	3 Nm / 2 Nm
Mounting bolts	50 Nm

Parts shipped with compressor

Mounting kit with grommets, bolts, nuts, sleeves and washers
Initial oil charge
Installation instructions

Approvals : CE certified, UL certified (file SA6873), -

*Singlepack: Compressor in cardboard box

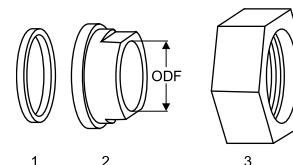
**Industrial pack: 6 Unboxed compressors on pallet (order per multiples of 6)

Rotolock accessories, suction side

Code no.

Solder sleeve, P02 (1-3/4" Rotolock, 1-1/8" ODF)	8153004
Angle adapter, C02 (1-3/4" Rotolock, 1-1/8" ODF)	8168005
Rotolock valve, V02 (1-3/4" Rotolock, 1-1/8" ODF)	8168028
Gasket, 1-3/4"	8156132

Gaskets, sleeves and nuts



- 1: Gasket
- 2: Solder sleeve
- 3: Rotolock nut

Rotolock accessories, discharge side

Code no.

Solder sleeve, P04 (1-1/4" Rotolock, 3/4" ODF)	8153008
Angle adapter, C04 (1-1/4" Rotolock, 3/4" ODF)	8168006
Rotolock valve, V04 (1-1/4" Rotolock, 3/4" ODF)	8168029
Gasket, 1-1/4"	8156131

Rotolock accessories, sets

Code no.

Angle adapter set, C02 (1-3/4"~1-1/8"), C04 (1-1/4"~3/4")	7703014
Valve set, V02 (1-3/4"~1-1/8"), V04 (1-1/4"~3/4")	7703009
Gasket set, 1", 1-1/4", 1-3/4", OSG gaskets black & white	8156009

Oil / lubricants

Code no.

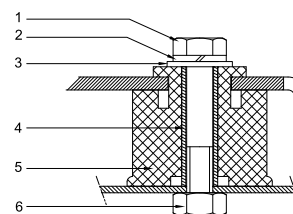
Mineral oil, 160P, 2 litre can	7754001
Mineral oil, 160P, 5 litre can	7754002

Crankcase heaters

Code no.

PTC heater 27W	120Z0459
Belt type crankcase heater, 75 W, 230 V, CE mark, UL	7773108
Belt type crankcase heater, 75 W, 400 V, CE mark, UL	7773118
Belt type crankcase heater, 75 W, 460 V, CE mark, UL	120Z0464

Mounting kit



- 1: Bolt (3x)
- 2: Lock washer (3x)
- 3: Flat washer (3x)
- 4: Sleeve (3x)
- 5: Grommet (3x)
- 6: Nut (3x)

Miscellaneous accessories

Code no.

Electronic soft start kit, MCI 25 C	7705007
Soft start kit with statoric resistors, prewired box, SCR03	7705001
Acoustic hood for 4 cylinder compressor	7755003

Spare parts

Code no.

Mounting kit for 1 and 2 cylinder compressor, including 3 grommets, 3 bolts	8156001
Service kit for terminal box 96 x 115 mm, including 1 cover, 1 clamp, 1 T block connector 52 x 57 mm	8156135
T block connector 52 x 57 mm	8173230

Danfoss can accept no responsibility for possible errors in catalogues, brochures and other printed material. Danfoss reserves the right to alter its products without notice. This also applies to products already on order provided that such alternations can be made without subsequential changes being necessary in specifications already agreed. All trademarks in this material are property of the respective companies. Danfoss, the Danfoss logotype and Maneurop are trademarks of Danfoss A/S. All rights reserved.

Performance data at 50 Hz, EN 12900 rating conditions
R22

Cond. temp. in °C (tc)	Evaporating temperature in °C (to)							
	-25	-20	-15	-10	-5	0	5	10

Cooling capacity in W

30	11 253	14 820	19 158	24 371	30 564	37 844	46 316	56 085	67 258
35	10 094	13 514	17 658	22 633	28 543	35 493	43 588	52 934	63 637
40	9 028	12 273	16 198	20 908	26 507	33 100	40 793	49 689	59 895
45	8 058	11 098	14 773	19 188	24 445	30 650	37 907	46 321	55 997
50	-	10 013	13 413	17 506	22 396	28 188	34 985	42 892	52 013
55	-	-	12 117	15 860	20 355	25 704	32 011	39 380	47 916
60	-	-	-	14 257	18 326	23 202	28 989	35 790	43 708
65	-	-	-	-	16 344	20 723	25 965	32 172	39 447

Power input in W

30	6 153	6 858	7 525	8 129	8 643	9 042	9 300	9 391	9 289
35	6 462	7 210	7 934	8 607	9 205	9 700	10 067	10 281	10 316
40	6 723	7 523	8 312	9 064	9 753	10 354	10 841	11 187	11 368
45	6 928	7 789	8 652	9 492	10 283	10 999	11 614	12 102	12 438
50	-	8 000	8 948	9 885	10 786	11 626	12 378	13 017	13 518
55	-	-	9 191	10 235	11 256	12 229	13 128	13 927	14 601
60	-	-	-	10 535	11 685	12 801	13 856	14 824	15 681
65	-	-	-	-	12 067	13 334	14 554	15 702	16 750

Current consumption in A

30	12.97	13.71	14.46	15.16	15.77	16.26	16.58	16.69	16.54
35	13.32	14.11	14.92	15.72	16.45	17.08	17.56	17.85	17.90
40	13.60	14.46	15.37	16.27	17.14	17.92	18.58	19.06	19.34
45	13.82	14.77	15.78	16.81	17.83	18.78	19.63	20.33	20.84
50	-	15.01	16.14	17.32	18.50	19.64	20.70	21.63	22.39
55	-	-	16.45	17.78	19.15	20.49	21.77	22.95	23.97
60	-	-	-	18.20	19.76	21.32	22.84	24.28	25.59
65	-	-	-	-	20.32	22.11	23.89	25.61	27.22

Mass flow in kg/h

30	246	321	409	512	633	774	935	1 120	1 331
35	229	303	391	494	614	754	914	1 098	1 308
40	213	286	373	474	593	731	890	1 072	1 279
45	199	270	355	454	571	706	863	1 042	1 246
50	-	256	338	434	547	679	832	1 008	1 208
55	-	-	321	413	523	650	799	970	1 165
60	-	-	-	392	497	619	762	928	1 118
65	-	-	-	-	470	586	723	882	1 066

Coefficient of performance (C.O.P.)

30	1.83	2.16	2.55	3.00	3.54	4.19	4.98	5.97	7.24
35	1.56	1.87	2.23	2.63	3.10	3.66	4.33	5.15	6.17
40	1.34	1.63	1.95	2.31	2.72	3.20	3.76	4.44	5.27
45	1.16	1.42	1.71	2.02	2.38	2.79	3.26	3.83	4.50
50	-	1.25	1.50	1.77	2.08	2.42	2.83	3.29	3.85
55	-	-	1.32	1.55	1.81	2.10	2.44	2.83	3.28
60	-	-	-	1.35	1.57	1.81	2.09	2.41	2.79
65	-	-	-	-	1.35	1.55	1.78	2.05	2.36

Nominal performance at to = 5 °C, tc = 50 °C

Cooling capacity	34 985	W
Power input	12 378	W
Current consumption	20.70	A
Mass flow	832	kg/h
C.O.P.	2.83	

Pressure switch settings

Maximum HP switch setting	27.7	bar(g)
Minimum LP switch setting	0.2	bar(g)
LP pump down setting	0.9	bar(g)

Sound power data

Sound power level	0	dB(A)
With acoustic hood	0	dB(A)

to: Evaporating temperature at dew point

tc: Condensing temperature at dew point

Rating conditions : Superheat = 10 K , Subcooling = 0 K

All performance data +/- 5%

Danfoss can accept no responsibility for possible errors in catalogues, brochures and other printed material. Danfoss reserves the right to alter its products without notice. This also applies to products already on order provided that such alternations can be made without subsequential changes being necessary in specifications already agreed. All trademarks in this material are property of the respective companies. Danfoss, the Danfoss logotype and Maneurop are trademarks of Danfoss A/S. All rights reserved.

Performance data at 50 Hz, ARI rating conditions
R22

Cond. temp. in °C (tc)	Evaporating temperature in °C (to)							
	-25	-20	-15	-10	-5	0	5	10

Cooling capacity in W

30	11 949	15 724	20 310	25 818	32 355	40 034	48 962	59 251	71 010
35	10 758	14 390	18 787	24 060	30 319	37 672	46 230	56 103	67 401
40	9 658	13 117	17 296	22 305	28 254	35 253	43 411	52 838	63 644
45	8 663	11 919	15 849	20 565	26 174	32 788	40 515	49 467	59 751
50	-	10 807	14 459	18 850	24 091	30 289	37 557	46 002	55 736
55	-	-	13 138	17 175	22 016	27 770	34 547	42 457	51 610
60	-	-	-	15 552	19 963	25 243	31 500	38 844	47 385
65	-	-	-	-	17 945	22 719	28 426	35 175	43 075

Power input in W

30	6 153	6 858	7 525	8 129	8 643	9 042	9 300	9 391	9 289
35	6 462	7 210	7 934	8 607	9 205	9 700	10 067	10 281	10 316
40	6 723	7 523	8 312	9 064	9 753	10 354	10 841	11 187	11 368
45	6 928	7 789	8 652	9 492	10 283	10 999	11 614	12 102	12 438
50	-	8 000	8 948	9 885	10 786	11 626	12 378	13 017	13 518
55	-	-	9 191	10 235	11 256	12 229	13 128	13 927	14 601
60	-	-	-	10 535	11 685	12 801	13 856	14 824	15 681
65	-	-	-	-	12 067	13 334	14 554	15 702	16 750

Current consumption in A

30	12.97	13.71	14.46	15.16	15.77	16.26	16.58	16.69	16.54
35	13.32	14.11	14.92	15.72	16.45	17.08	17.56	17.85	17.90
40	13.60	14.46	15.37	16.27	17.14	17.92	18.58	19.06	19.34
45	13.82	14.77	15.78	16.81	17.83	18.78	19.63	20.33	20.84
50	-	15.01	16.14	17.32	18.50	19.64	20.70	21.63	22.39
55	-	-	16.45	17.78	19.15	20.49	21.77	22.95	23.97
60	-	-	-	18.20	19.76	21.32	22.84	24.28	25.59
65	-	-	-	-	20.32	22.11	23.89	25.61	27.22

Mass flow in kg/h

30	245	319	407	510	630	769	930	1 114	1 323
35	227	301	389	491	611	750	909	1 092	1 300
40	212	285	371	472	590	727	885	1 066	1 272
45	198	269	353	452	568	703	858	1 036	1 239
50	-	255	336	432	544	676	828	1 002	1 201
55	-	-	319	411	520	647	794	964	1 158
60	-	-	-	390	494	616	758	923	1 111
65	-	-	-	-	467	583	719	877	1 060

Coefficient of performance (C.O.P.)

30	1.94	2.29	2.70	3.18	3.74	4.43	5.26	6.31	7.64
35	1.66	2.00	2.37	2.80	3.29	3.88	4.59	5.46	6.53
40	1.44	1.74	2.08	2.46	2.90	3.40	4.00	4.72	5.60
45	1.25	1.53	1.83	2.17	2.55	2.98	3.49	4.09	4.80
50	-	1.35	1.62	1.91	2.23	2.61	3.03	3.53	4.12
55	-	-	1.43	1.68	1.96	2.27	2.63	3.05	3.53
60	-	-	-	1.48	1.71	1.97	2.27	2.62	3.02
65	-	-	-	-	1.49	1.70	1.95	2.24	2.57

Nominal performance at to = 7.2 °C, tc = 54.4 °C

Cooling capacity	38 273	W
Power input	13 396	W
Current consumption	22.16	A
Mass flow	871	kg/h
C.O.P.	2.86	

Pressure switch settings

Maximum HP switch setting	27.7	bar(g)
Minimum LP switch setting	0.2	bar(g)
LP pump down setting	0.9	bar(g)

Sound power data

Sound power level	0	dB(A)
With acoustic hood	0	dB(A)

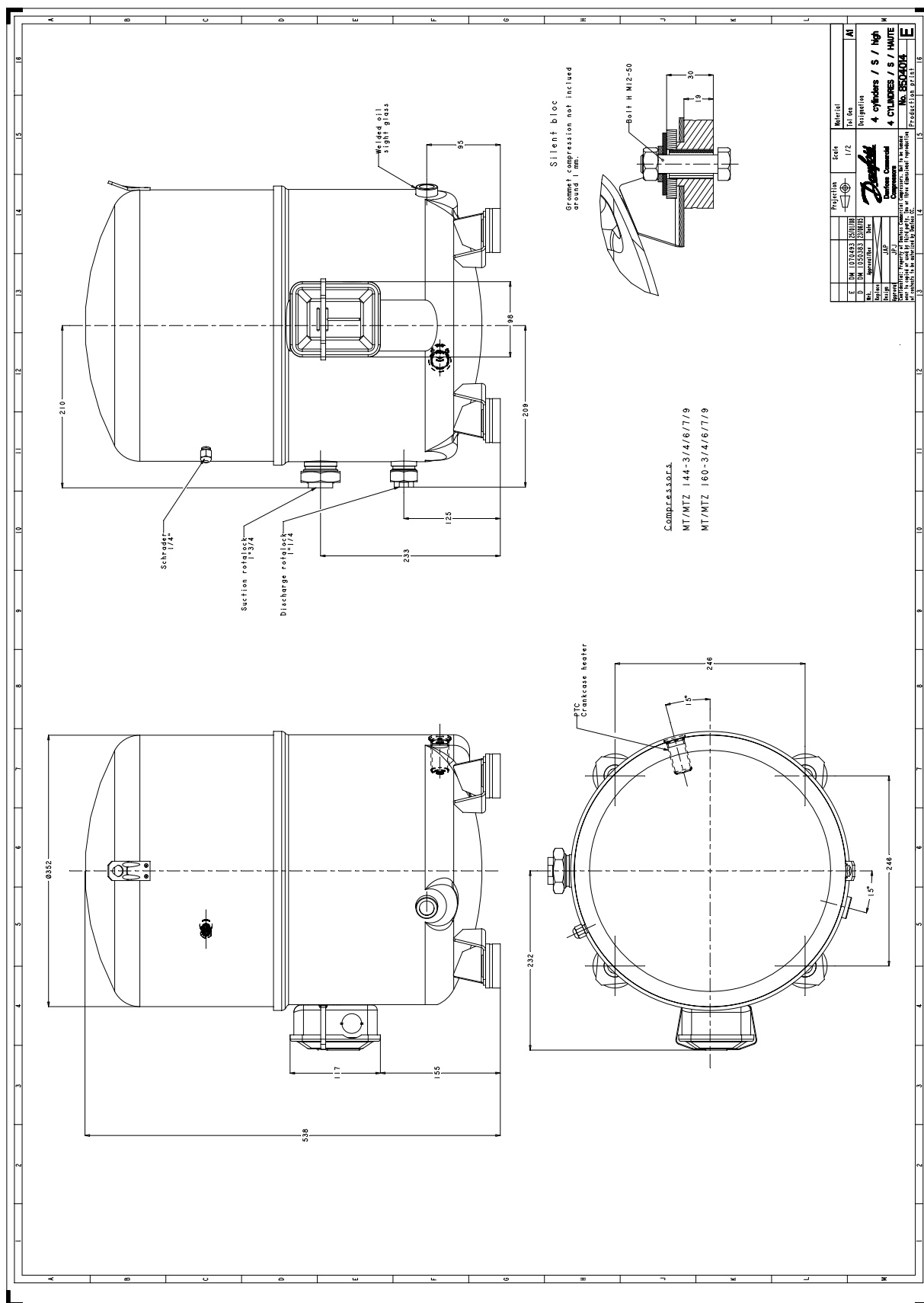
to: Evaporating temperature at dew point

tc: Condensing temperature at dew point

Rating conditions : Superheat = 11.1 K , Subcooling = 8.3 K

All performance data +/- 5%

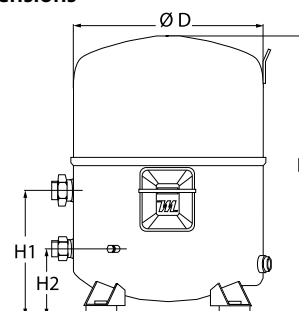
Danfoss can accept no responsibility for possible errors in catalogues, brochures and other printed material. Danfoss reserves the right to alter its products without notice. This also applies to products already on order provided that such alternations can be made without subsequential changes being necessary in specifications already agreed. All trademarks in this material are property of the respective companies. Danfoss, the Danfoss logotype and Maneurop are trademarks of Danfoss A/S. All rights reserved.



Danfoss can accept no responsibility for possible errors in catalogues, brochures and other printed material. Danfoss reserves the right to alter its products without notice. This also applies to products already on order provided that such alternations can be made without subsequential changes being necessary in specifications already agreed. All trademarks in this material are property of the respective companies. Danfoss, the Danfoss logotype and Maneurop are trademarks of Danfoss A/S. All rights reserved.

General Characteristics

Model number (on compressor nameplate)		MT160HW4DVE
Code number for Singlepack*		MT160-4VI
Code number for Industrial pack**		MT160-4VM
Drawing number		8504011e
Suction and discharge connections		Rotolock
Suction connection		1-3/4" Rotolock
Discharge connection		1-1/4" Rotolock
Suction connection with supplied sleeve		1-1/8" ODF
Discharge connection with supplied sleeve		3/4" ODF
Oil sight glass		Threaded
Oil equalisation connection		3/8" flare SAE
Oil drain connection		None
LP gauge port		Schrader
IPR valve		30 bar / 8 bar
Cylinders		4
Swept volume		271,55 cm ³ /rev
Displacement @ Nominal speed		47.3 m ³ /h @ 2900 rpm - 57.0 m ³ /h @ 3500 rpm
Net weight		69 kg
Oil charge		3,9 litre, Mineral - 160P
Maximum system test pressure Low Side / High side		25 bar(g) / 30 bar(g)
Maximum differential test pressure		30 bar
Maximum number of starts per hour		12
Refrigerant charge limit		10 kg
Approved refrigerants		R22, R417A-160PZ

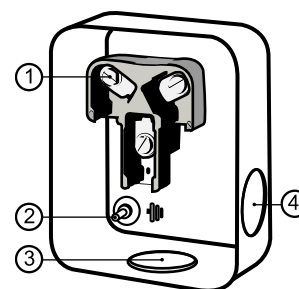
Dimensions


D=352 mm

H=540 mm

H1=233 mm

H2=125 mm

Terminal box


IP54 (with cable gland)

1: Screw connectors 10-32 UNF x 9.5

2: Earth M4-12

3: Knock-out Ø 29 mm (1.14")

4: Knock-out Ø 25.5 mm (1.00")

Electrical Characteristics

Nominal voltage	380-400V/3/50Hz - 460V/3/60Hz
Voltage range	340-440 V @ 50Hz - 414-506 V @ 60Hz
Winding resistance (between phases) +/- 7% at 25°C	1.1 Ω
Maximum Continuous Current (MCC)	36 A
Locked Rotor Amps (LRA)	140 A
Motor protection	Internal overload protector

Recommended Installation torques

Oil sight glass	50 Nm
Power connections / Earth connection	3 Nm / 2 Nm
Mounting bolts	50 Nm

Parts shipped with compressor

Mounting kit with grommets, bolts, nuts, sleeves and washers
Suction & Discharge solder sleeves, rotolock nuts and gaskets (shipped with rotolock version only)
Initial oil charge
Installation instructions

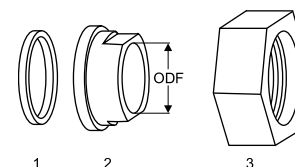
Approvals : CE certified, UL certified (file SA6873), -

*Singlepack: Compressor in cardboard box

**Industrial pack: 6 Unboxed compressors on pallet (order per multiples of 6)

Rotolock accessories, suction side
Code no.

Solder sleeve, P02 (1-3/4" Rotolock, 1-1/8" ODF)	8153004
Angle adapter, C02 (1-3/4" Rotolock, 1-1/8" ODF)	8168005
Rotolock valve, V02 (1-3/4" Rotolock, 1-1/8" ODF)	8168028
Gasket, 1-3/4"	8156132

Gaskets, sleeves and nuts


- 1: Gasket
- 2: Solder sleeve
- 3: Rotolock nut

Rotolock accessories, discharge side
Code no.

Solder sleeve, P04 (1-1/4" Rotolock, 3/4" ODF)	8153008
Angle adapter, C04 (1-1/4" Rotolock, 3/4" ODF)	8168006
Rotolock valve, V04 (1-1/4" Rotolock, 3/4" ODF)	8168029
Gasket, 1-1/4"	8156131

Rotolock accessories, sets
Code no.

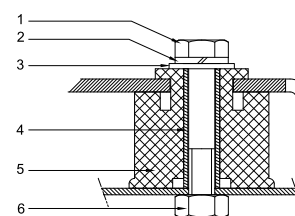
Angle adapter set, C02 (1-3/4"~1-1/8"), C04 (1-1/4"~3/4")	7703014
Valve set, V02 (1-3/4"~1-1/8"), V04 (1-1/4"~3/4")	7703009
Gasket set, 1", 1-1/4", 1-3/4", OSG gaskets black & white	8156009

Oil / lubricants
Code no.

Mineral oil, 160P, 2 litre can	7754001
Mineral oil, 160P, 5 litre can	7754002

Crankcase heaters
Code no.

PTC heater 27W	120Z0459
Belt type crankcase heater, 75 W, 230 V, CE mark, UL	7773108
Belt type crankcase heater, 75 W, 400 V, CE mark, UL	7773118
Belt type crankcase heater, 75 W, 460 V, CE mark, UL	120Z0464

Mounting kit


- 1: Bolt (4x)
- 2: Lock washer (4x)
- 3: Flat washer (4x)
- 4: Sleeve (4x)
- 5: Grommet (4x)
- 6: Nut (4x)

Miscellaneous accessories
Code no.

Electronic soft start kit, MCI 25 C	7705007
Soft start kit with statoric resistors, prewired box, SCR03	7705001
Acoustic hood for 4 cylinder compressor	7755003
Oil equalisation nut	8153127

Spare parts
Code no.

Mounting kit for 4 cylinder compressor & MS, including 4 grommets, 4 bolts	8156007
Oil sight glass with gaskets (black & white)	8156019
Gasket for oil sight glass (black chloroprene)	8156145
Service kit for terminal box 96 x 115 mm, including 1 cover, 1 clamp, 1 T block connector 52 x 57 mm	8156135
T block connector 52 x 57 mm	8173230

Performance data at 50 Hz, EN 12900 rating conditions
R22

Cond. temp. in °C (tc)	Evaporating temperature in °C (to)							
	-25	-20	-15	-10	-5	0	5	10

Cooling capacity in W

30	11 253	14 820	19 158	24 371	30 564	37 844	46 316	56 085	67 258
35	10 094	13 514	17 658	22 633	28 543	35 493	43 588	52 934	63 637
40	9 028	12 273	16 198	20 908	26 507	33 100	40 793	49 689	59 895
45	8 058	11 098	14 773	19 188	24 445	30 650	37 907	46 321	55 997
50	-	10 013	13 413	17 506	22 396	28 188	34 985	42 892	52 013
55	-	-	12 117	15 860	20 355	25 704	32 011	39 380	47 916
60	-	-	-	14 257	18 326	23 202	28 989	35 790	43 708
65	-	-	-	-	16 344	20 723	25 965	32 172	39 447

Power input in W

30	6 153	6 858	7 525	8 129	8 643	9 042	9 300	9 391	9 289
35	6 462	7 210	7 934	8 607	9 205	9 700	10 067	10 281	10 316
40	6 723	7 523	8 312	9 064	9 753	10 354	10 841	11 187	11 368
45	6 928	7 789	8 652	9 492	10 283	10 999	11 614	12 102	12 438
50	-	8 000	8 948	9 885	10 786	11 626	12 378	13 017	13 518
55	-	-	9 191	10 235	11 256	12 229	13 128	13 927	14 601
60	-	-	-	10 535	11 685	12 801	13 856	14 824	15 681
65	-	-	-	-	12 067	13 334	14 554	15 702	16 750

Current consumption in A

30	12.97	13.71	14.46	15.16	15.77	16.26	16.58	16.69	16.54
35	13.32	14.11	14.92	15.72	16.45	17.08	17.56	17.85	17.90
40	13.60	14.46	15.37	16.27	17.14	17.92	18.58	19.06	19.34
45	13.82	14.77	15.78	16.81	17.83	18.78	19.63	20.33	20.84
50	-	15.01	16.14	17.32	18.50	19.64	20.70	21.63	22.39
55	-	-	16.45	17.78	19.15	20.49	21.77	22.95	23.97
60	-	-	-	18.20	19.76	21.32	22.84	24.28	25.59
65	-	-	-	-	20.32	22.11	23.89	25.61	27.22

Mass flow in kg/h

30	246	321	409	512	633	774	935	1 120	1 331
35	229	303	391	494	614	754	914	1 098	1 308
40	213	286	373	474	593	731	890	1 072	1 279
45	199	270	355	454	571	706	863	1 042	1 246
50	-	256	338	434	547	679	832	1 008	1 208
55	-	-	321	413	523	650	799	970	1 165
60	-	-	-	392	497	619	762	928	1 118
65	-	-	-	-	470	586	723	882	1 066

Coefficient of performance (C.O.P.)

30	1.83	2.16	2.55	3.00	3.54	4.19	4.98	5.97	7.24
35	1.56	1.87	2.23	2.63	3.10	3.66	4.33	5.15	6.17
40	1.34	1.63	1.95	2.31	2.72	3.20	3.76	4.44	5.27
45	1.16	1.42	1.71	2.02	2.38	2.79	3.26	3.83	4.50
50	-	1.25	1.50	1.77	2.08	2.42	2.83	3.29	3.85
55	-	-	1.32	1.55	1.81	2.10	2.44	2.83	3.28
60	-	-	-	1.35	1.57	1.81	2.09	2.41	2.79
65	-	-	-	-	1.35	1.55	1.78	2.05	2.36

Nominal performance at to = 5 °C, tc = 50 °C

Cooling capacity	34 985	W
Power input	12 378	W
Current consumption	20.70	A
Mass flow	832	kg/h
C.O.P.	2.83	

Pressure switch settings

Maximum HP switch setting	27.7	bar(g)
Minimum LP switch setting	0.2	bar(g)
LP pump down setting	0.9	bar(g)

Sound power data

Sound power level	0	dB(A)
With acoustic hood	0	dB(A)

to: Evaporating temperature at dew point

tc: Condensing temperature at dew point

Rating conditions : Superheat = 10 K , Subcooling = 0 K

All performance data +/- 5%

Danfoss can accept no responsibility for possible errors in catalogues, brochures and other printed material. Danfoss reserves the right to alter its products without notice. This also applies to products already on order provided that such alternations can be made without subsequential changes being necessary in specifications already agreed. All trademarks in this material are property of the respective companies. Danfoss, the Danfoss logotype and Maneurop are trademarks of Danfoss A/S. All rights reserved.

Performance data at 50 Hz, ARI rating conditions
R22

Cond. temp. in °C (tc)	Evaporating temperature in °C (to)							
	-25	-20	-15	-10	-5	0	5	10

Cooling capacity in W

30	11 949	15 724	20 310	25 818	32 355	40 034	48 962	59 251	71 010
35	10 758	14 390	18 787	24 060	30 319	37 672	46 230	56 103	67 401
40	9 658	13 117	17 296	22 305	28 254	35 253	43 411	52 838	63 644
45	8 663	11 919	15 849	20 565	26 174	32 788	40 515	49 467	59 751
50	-	10 807	14 459	18 850	24 091	30 289	37 557	46 002	55 736
55	-	-	13 138	17 175	22 016	27 770	34 547	42 457	51 610
60	-	-	-	15 552	19 963	25 243	31 500	38 844	47 385
65	-	-	-	-	17 945	22 719	28 426	35 175	43 075

Power input in W

30	6 153	6 858	7 525	8 129	8 643	9 042	9 300	9 391	9 289
35	6 462	7 210	7 934	8 607	9 205	9 700	10 067	10 281	10 316
40	6 723	7 523	8 312	9 064	9 753	10 354	10 841	11 187	11 368
45	6 928	7 789	8 652	9 492	10 283	10 999	11 614	12 102	12 438
50	-	8 000	8 948	9 885	10 786	11 626	12 378	13 017	13 518
55	-	-	9 191	10 235	11 256	12 229	13 128	13 927	14 601
60	-	-	-	10 535	11 685	12 801	13 856	14 824	15 681
65	-	-	-	-	12 067	13 334	14 554	15 702	16 750

Current consumption in A

30	12.97	13.71	14.46	15.16	15.77	16.26	16.58	16.69	16.54
35	13.32	14.11	14.92	15.72	16.45	17.08	17.56	17.85	17.90
40	13.60	14.46	15.37	16.27	17.14	17.92	18.58	19.06	19.34
45	13.82	14.77	15.78	16.81	17.83	18.78	19.63	20.33	20.84
50	-	15.01	16.14	17.32	18.50	19.64	20.70	21.63	22.39
55	-	-	16.45	17.78	19.15	20.49	21.77	22.95	23.97
60	-	-	-	18.20	19.76	21.32	22.84	24.28	25.59
65	-	-	-	-	20.32	22.11	23.89	25.61	27.22

Mass flow in kg/h

30	245	319	407	510	630	769	930	1 114	1 323
35	227	301	389	491	611	750	909	1 092	1 300
40	212	285	371	472	590	727	885	1 066	1 272
45	198	269	353	452	568	703	858	1 036	1 239
50	-	255	336	432	544	676	828	1 002	1 201
55	-	-	319	411	520	647	794	964	1 158
60	-	-	-	390	494	616	758	923	1 111
65	-	-	-	-	467	583	719	877	1 060

Coefficient of performance (C.O.P.)

30	1.94	2.29	2.70	3.18	3.74	4.43	5.26	6.31	7.64
35	1.66	2.00	2.37	2.80	3.29	3.88	4.59	5.46	6.53
40	1.44	1.74	2.08	2.46	2.90	3.40	4.00	4.72	5.60
45	1.25	1.53	1.83	2.17	2.55	2.98	3.49	4.09	4.80
50	-	1.35	1.62	1.91	2.23	2.61	3.03	3.53	4.12
55	-	-	1.43	1.68	1.96	2.27	2.63	3.05	3.53
60	-	-	-	1.48	1.71	1.97	2.27	2.62	3.02
65	-	-	-	-	1.49	1.70	1.95	2.24	2.57

Nominal performance at to = 7.2 °C, tc = 54.4 °C

Cooling capacity	38 273	W
Power input	13 396	W
Current consumption	22.16	A
Mass flow	871	kg/h
C.O.P.	2.86	

Pressure switch settings

Maximum HP switch setting	27.7	bar(g)
Minimum LP switch setting	0.2	bar(g)
LP pump down setting	0.9	bar(g)

Sound power data

Sound power level	0	dB(A)
With acoustic hood	0	dB(A)

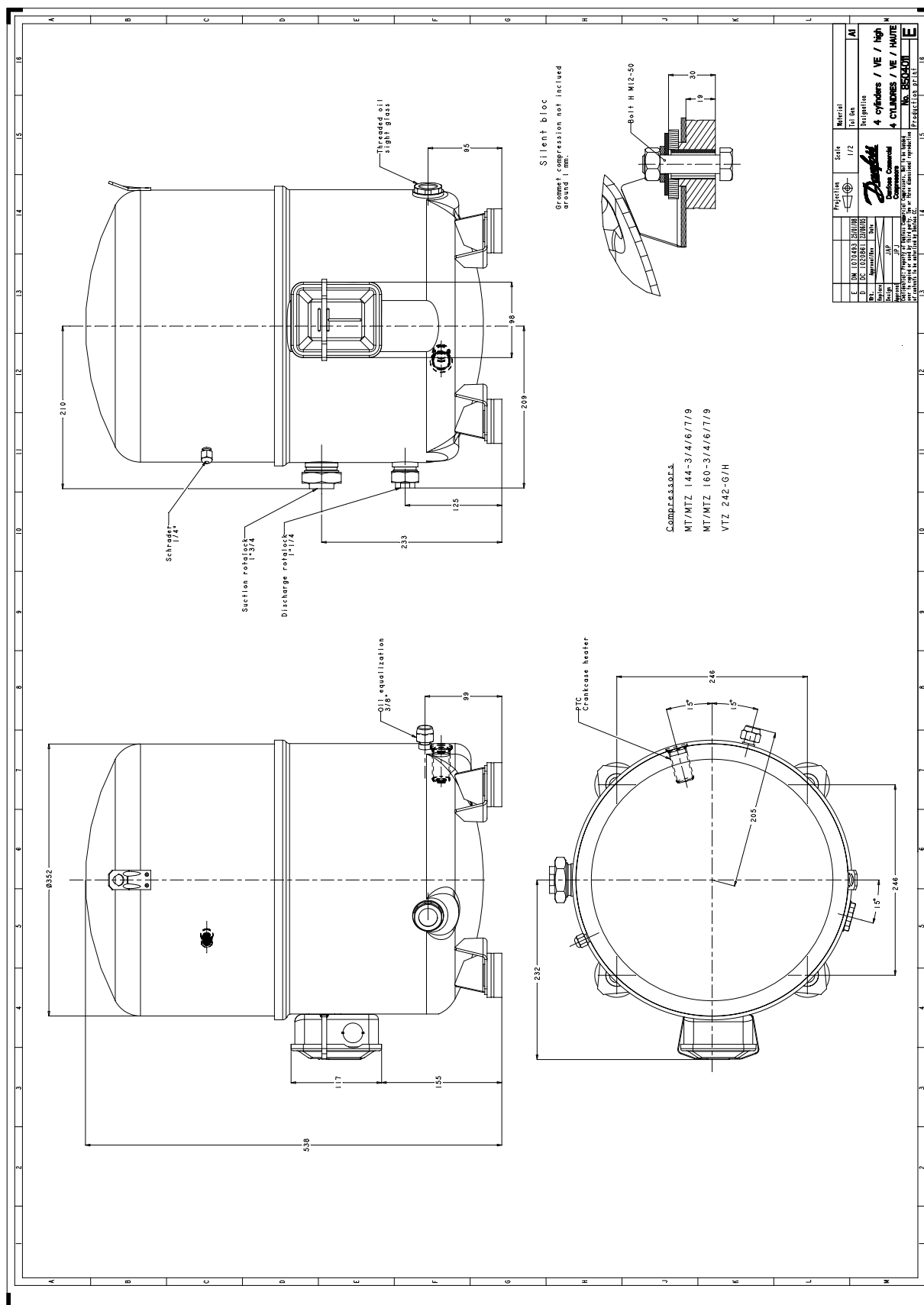
to: Evaporating temperature at dew point

tc: Condensing temperature at dew point

Rating conditions : Superheat = 11.1 K , Subcooling = 8.3 K

All performance data +/- 5%

Danfoss can accept no responsibility for possible errors in catalogues, brochures and other printed material. Danfoss reserves the right to alter its products without notice. This also applies to products already on order provided that such alternations can be made without subsequential changes being necessary in specifications already agreed. All trademarks in this material are property of the respective companies. Danfoss, the Danfoss logotype and Maneurop are trademarks of Danfoss A/S. All rights reserved.



Danfoss can accept no responsibility for possible errors in catalogues, brochures and other printed material. Danfoss reserves the right to alter its products without notice. This also applies to products already on order provided that such alternations can be made without subsequential changes being necessary in specifications already agreed. All trademarks in this material are property of the respective companies. Danfoss, the Danfoss logotype and Maneurop are trademarks of Danfoss A/S. All rights reserved.