

PRESSURE RELIEF VALVES

EN ISO 4126
COMPLIANT

The function of a Pressure Relief Valve is to protect against over-pressure. For safety reasons, excessive over-pressure in any part of a refrigeration system must be avoided.

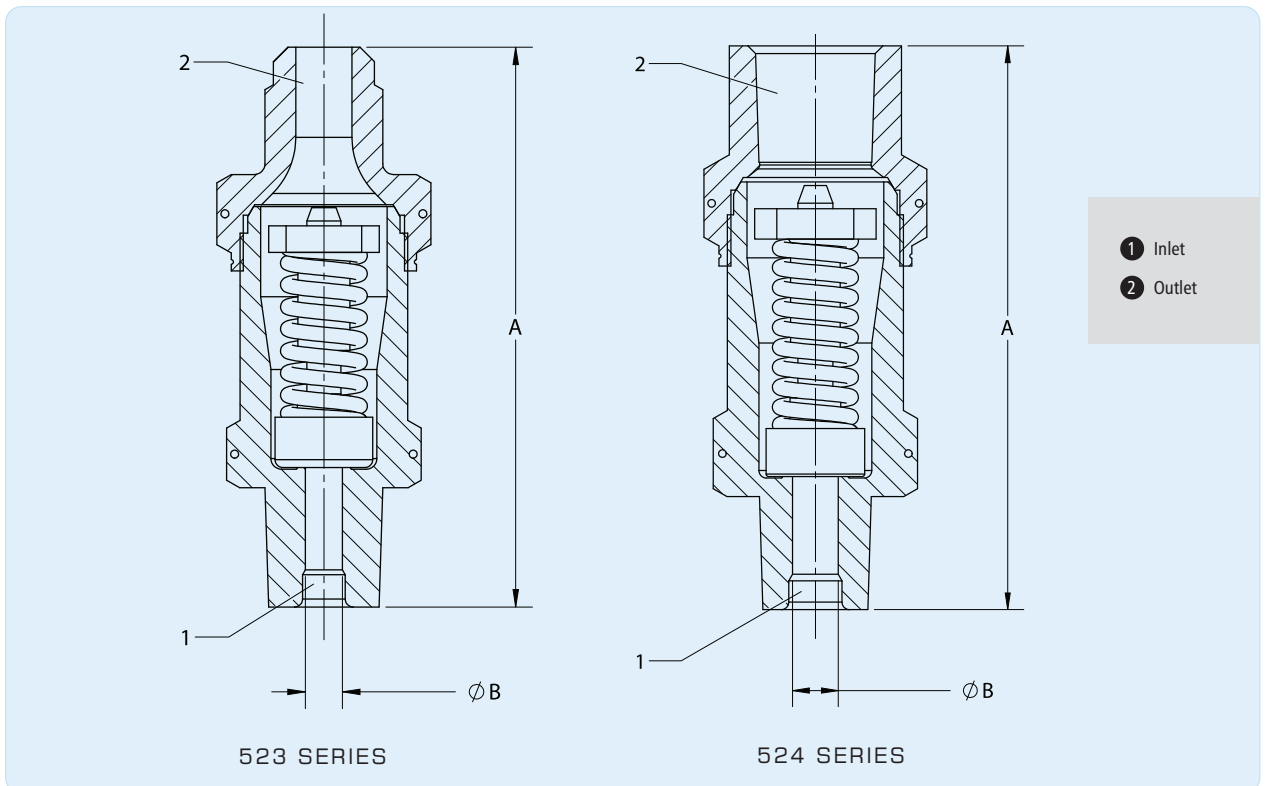
For applications, selection guidelines and Installation details please see our catalogue.

Main features

- In accordance with EN ISO 4126 the valve reseats within 15% of set pressure following a discharge
- High flow capacity
- Fluoroelastomer soft seat material provides excellent sealing characteristics
- Allowable operating temperature = -40°C to +120°C
- Suitable for HFC, HCFC and CO₂ refrigerant gases

Straight-Through Relief Valves - Brass								
Part No.	Connection Size (inch)		Dimensions (mm)		Flow Area (mm ²)	K _{dr}	Weight (kg)	CE Cat
	Inlet	Outlet	A	ØB				
5230AX-xx.x BAR	1/4 NPTF	1/2 SAE Flare	94	7	38.48	0.71	0.37	Cat IV
5231AX-xx.x BAR	3/8 NPTF	1/2 SAE Flare	94	7	38.48	0.71	0.39	Cat IV
5231BX-xx.x BAR	1/2 NPTF	5/8 SAE Flare	106	7	38.48	0.71	0.42	Cat IV
5232AX-xx.x BAR	1/2 NPTF	3/4 SAE Flare	119	9	63.62	0.76	0.56	Cat IV
5240X-xx.x BAR	1/2 NPTF	3/4 NPTF (female)	111	9	63.62	0.76	0.55	Cat IV
5242X-xx.x BAR	3/4 NPTF	3/4 NPTF (female)	111	9	63.62	0.76	0.58	Cat IV

xx.x = set pressure



Standard pressure settings (barg): 10.3 (min), 13.8, 14.0, 16.2, 17.2, 20.7, 24.1, 24.8, 25.0, 25.9, 27.6, 31.0, 40.0, 42.0, 45.0, 46.0 (max)

Part No.	Valve Capacity Ratings (kg Air/min @ 20°C)									
	Standard Pressure Setting (barg)									
	10.3	14	16.2	20.7	24.1	24.8	27.6	31	40	46
5230AX										
5231AX	4.4	6.0	7.0	8.9	10.4	10.7	11.9	13.4	17.2	19.8
5231BX										
5232AX										
5240X	10.7	14.5	16.8	21.5	25.0	25.8	28.7	32.2	N/A*	N/A*
5242X										

*Not Available - Maximum set pressure is 31 barg