

10. Speed controllers for variable voltage 1~ motors
10.1.-GB Manual electronic speed controller

Type: **P-E-1 / 2.5 / 4**

Application / Function

Manual speed control of one or more voltage controllable 1~ fans.
 The desired speed is adjusted steplessly by the rotary button with switch function.
 For a safe fan start up the setting begins with maximum output voltage. This can be reduced down to the internally adjustment for "n-min".

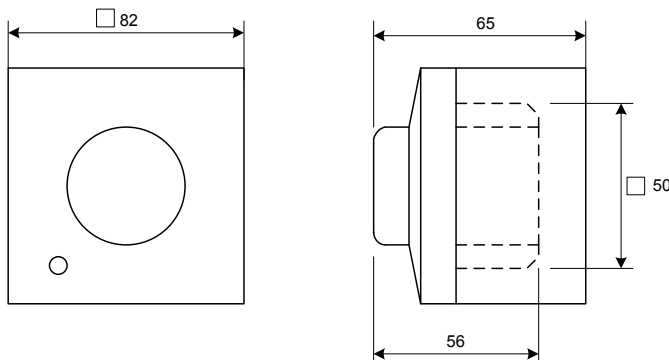
Surface mounting (IP54) or flush mounting (IP44) without surface mounting case in a flush-type box. Type P-E-4 is only for surface mounting suitable.
 Operational status indicator by inserted LED.
 Separate output (not controlled 230 V) for accessory equipment e.g. flap, lamp.
 Alternatively at this output (terminal ↓) the mains voltage for bypass the ON / OFF contact can be connected. Temperature monitoring, controller fuse (5x20mm), spare fuse included.



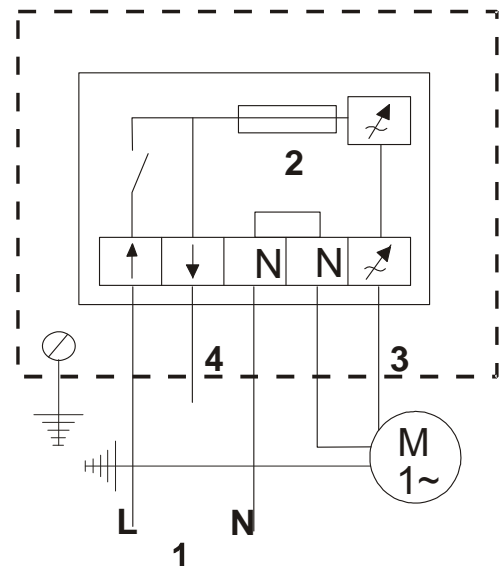
Technical data

Type	P-E-1	P-E-2.5	P-E-4	<ul style="list-style-type: none"> - Line voltage 1~ 230 V (-10 % / +10 %), 50/60 Hz - Separate output (not controlled 230 V) max. 1A - Max. permissible ambient temperature 0 - 35° C - Interference emission in accordance with EN 61000-6-3 - Interference immunity in accordance with EN 61000-6-2 - Harmonics current in accordance with EN 61000-3-2 - Plastic enclosure ASA, color similar RAL9010 - Housing protection for surface mounting IP54 for flush-mounting of P-E-1 and P-E-2.5 IP44
Part.No.	303586	303587	303588	
Rated current	1 A	2,5 A	4 A	
Min. motor current	0.1 A	0.2 A	0.4 A	
Internal fuse	F 1.25A-H	F 3.15A-H	F 5.00A-H	
Weight	240 g	300 g	360 g	

Dimension sheet [mm]



Connection diagram



- 1: Mains connection 1~ 230 V, 50/60 Hz
- 2: Internal fuse
- 3: Controlled output for motor
- 4: Not controlled output 230V, or for bypass the ON / OFF switch

Ziehl-Abegg AG
 Heinz-Ziehl-Straße
 D-74653 Künzelsau

Tel.: +49 (0) 79 40/16-0
 Fax: +49 (0) 79 40/16-2 00
 info@ziehl-abegg.de http://www.ziehl-abegg.de

