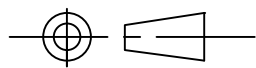
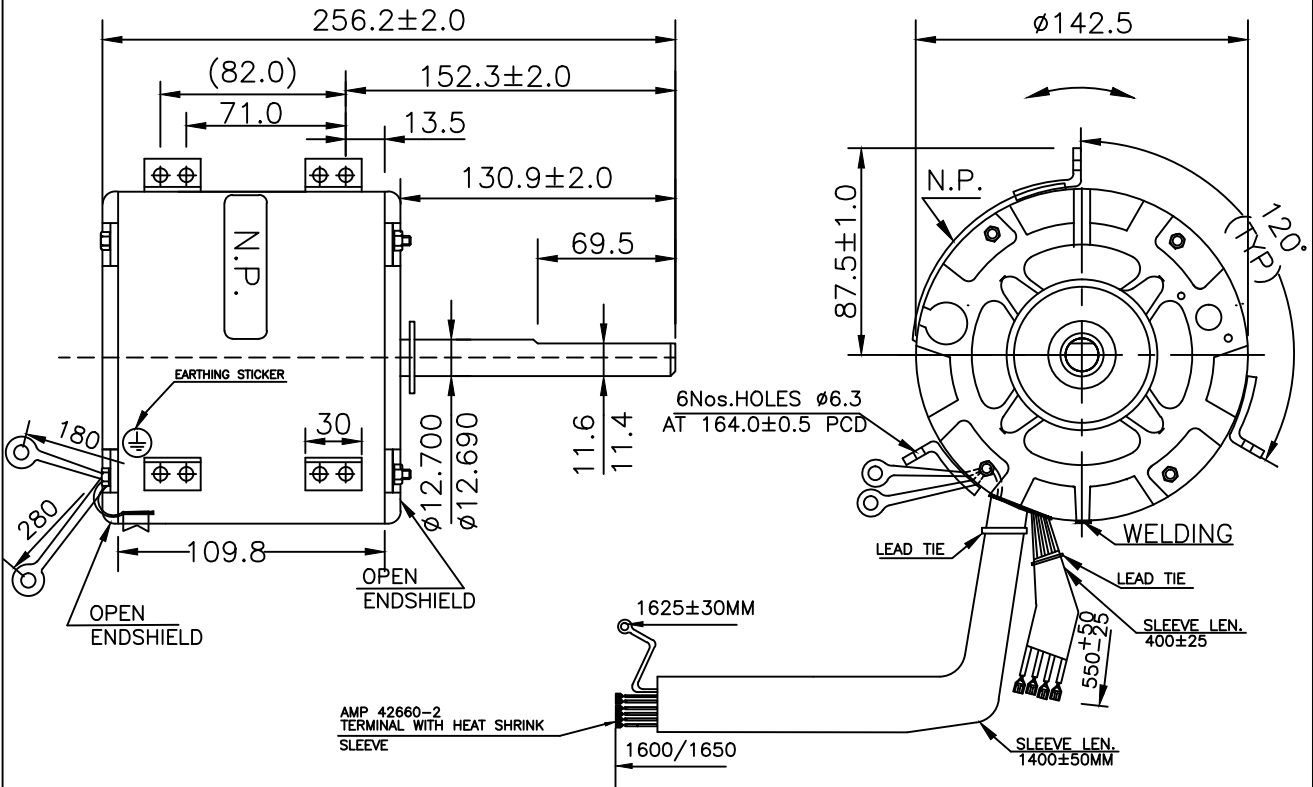


REV. No.	DATE	DRN. BY	CHKD. BY	APPD. BY	
NEW	12.10.17	MANOJ	RUPAM	RDS	 SAMPLE SM7-337
A	18.10.17	MANOJ	RUPAM	RDS	
B	15.11.17	MANOJ	RUPAM	RDS	

REV.B- HP1/3 & CAP.10.0/400V WERE HP1/6 & CAP.5.0/400V

PROPOSED DRAWING AGAINST SAMPLE SM17-337
 SAMPLE DRAWING TYPE-6355077
 SLEEVE BEARING

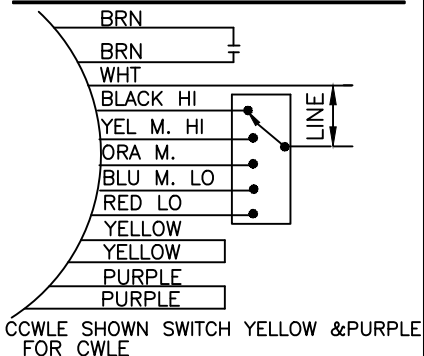
MOTOR OUTLINE(NOT TO SCALE)



ALL DIMENSIONS IN MM/IN
 ALL DIM.HAVING NO TOLERANCE ARE FOR REF. ONLY

REF.SP-3414#6

SCHEMATIC CONN. DIAGRAM



NAME PLATE DATA



THERMALLY PROTECTED
 CL B INS CAO RTG ROHS CSA RU

SM17-337 ROT ←→ CAP. 10.0/400V
 HP 1/3 920/5SPD
 V 230 HZ 50 PH 1 A 1.5
 MADE IN INDIA