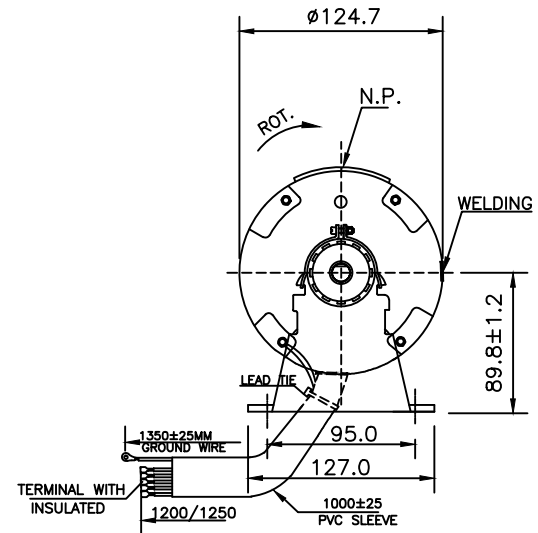
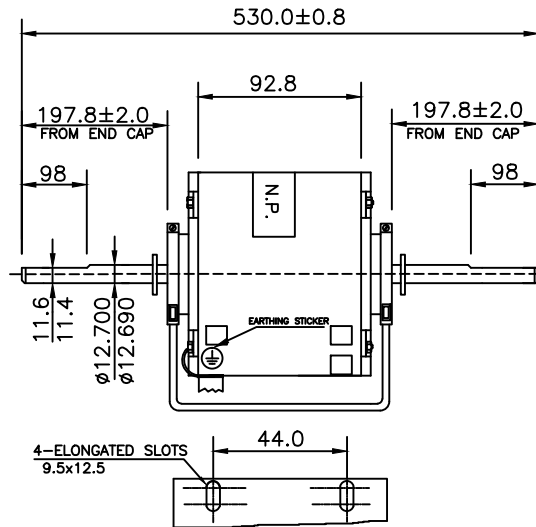


REV. No.	DATE	DRN. BY	CHKD. BY	APPD. BY
NEW	30.11.17	MANOJ	RUPAM	RDS

PROPOSED DRAWING AGAINST TYPE-4900550-1  
FRAME 29 SLEEVE BEARING MOTOR



ALL DIMENSIONS HAVING NO TOLERANCE ARE FOR REF. ONLY  
ALL DIMENSIONS IN MM  
MOTOR OUTLINE(NOT TO SCALE)

REF:MECH E898S

SCHMATIC CONN. DIAGRAM

DRAWING REVISION

REVISION BY

DATE

APPROVED BY

DATE

ECO DESCRIPTION

TOLERANCES UNLESS OTHERWISE SPECIFIED  
DEC. mm INCH ANGLE  
.X ±2.5 (±0.10) ±0.5°  
.XX ±0.50 (±0.020)  
.XXX ±0.130 (±0.0051)  
.XXXX ±0.0130 (±0.00051)  
REMOVE BURRS & BREAK SHARP EDGES .08/.38 (0.03/.015)  
CORNER FILLETS .50 (0.020)  
MACHINED SURFACES .125/1.25 mm/32  
INCH SHOWN IN [BRACKETS]

DRAWN BY:

DATE:

APPROVED BY:

DATE:

REFERENCE

THIRD ANGLE PROJECTION

**REGAL**™ Regal Beloit America, Inc.

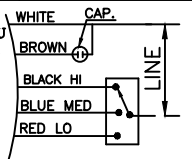
DESCRIPTION  
OUTLINE

MATERIAL PROCESS/FINISH

SIZE DWG NO  
B PROPOSED SP-3568

SHEET  
1

NAME PLATE DATA  
genteq THERMALLY PROTECTED CL B INS CAO RTG  
PROPOS ROT ← CAP. 4.0/400V  
HP1/10 RPM. 1150/910/780  
V 230 HZ 50 PH 1 A 0.9  
MADE IN INDIA CPN-



COPYRIGHT REGAL BELOIT AMERICA, INC. ALL RIGHTS RESERVED.  
PROPRIETARY AND CONFIDENTIAL INFORMATION - THIS DOCUMENT IS THE PROPERTY OF  
REGAL BELOIT AMERICA, INC. ("OWNER") AND CONTAINS OWNER'S PROPRIETARY  
INFORMATION. ANY PERSON, CORPORATION OR OTHER FIRM RECEIVING IT IS DEEMED,  
BY RECEIVING IT, TO AGREE THAT IT, AND/OR ANY PART OF IT, SHALL NOT BE DISCLOSED  
TO ANY PERSON, CORPORATION OR OTHER ENTITY, DUPLICATED, AND/OR USED, EXCEPT  
AS EXPRESSLY APPROVED IN WRITING IN ADVANCE BY OWNER. THIS DOCUMENT SHALL  
BE RETURNED TO OWNER UPON REQUEST. IT MAY BE SUBJECT TO CERTAIN  
RESTRICTIONS UNDER APPLICABLE EXPORT CONTROL LAWS AND REGULATIONS.