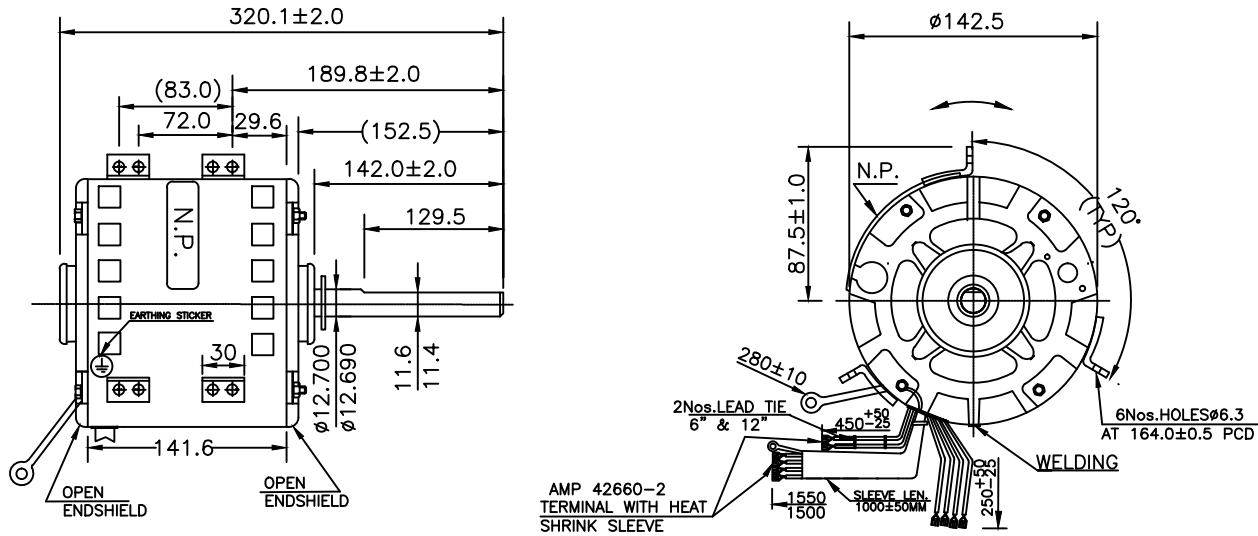


REV. No.	DATE	DRN. BY	CHKD. BY	APPD. BY
A	31.10.17	MANOJ	RUPAM	RDS

PROPOSED DRAWING TYPE-33-828-B  
 LUG PCD  $\phi 164.0\text{MM}$   
 LUG SAME SP-3292#1  
 SHELL LENGTH 141.6MM  
 BALL BEARING  
 NAME PLATE DATA REVISED

B

ALL DIMENSIONS HAVING NO TOLERANCE ARE FOR REF. ONLY  
 ALL DIMENSIONS IN MM  
 MOTOR OUTLINE (NOT TO SCALE)



A

A

REF.-SP-3414#8 THERMALLY PROTECTED CL B INS CAO RTG ROHS CSA RU SM17-281 ROT ← CAP.25.0/440V HP 3/4 RPM. 930/3SPD V230 HZ 50 PH 1 A 4.8 MADE IN INDIA	SCHEMATIC CONN. DIAGRAM 	DRAWING REVISION	REVISION BY	DATE	TOLERANCES UNLESS OTHERWISE SPECIFIED DEC. mm INCH ANGLE .X ±2.5 [±0.10] ±0.5° .XX ±0.50 [±0.020] .XXX ±0.130 [±0.0051] .XXXX ±0.0130 [±0.00051] REMOVE BURRS & BREAK SHARP EDGES .08/.38 [.003/.015] CORNER FILLETS .50 [.020] MACHINED SURFACES 125 [mm] 3/2 INCH SHOWN IN [BRACKETS]	DRAWN BY:	Regal Beloit America, Inc. DESCRIPTION: OUTLINE MATERIAL: _____ PROCESS/FINISH: _____ SIZE DWG NO: B SAMPLE SM17-281 SHEET 1
		ECO	APPROVED BY	DATE		DATE:	
		ECO DESCRIPTION				APPROVED BY:	
		COPYRIGHT REGAL BELOIT AMERICA, INC. ALL RIGHTS RESERVED. PROPRIETARY AND CONFIDENTIAL INFORMATION - THIS DOCUMENT IS THE PROPERTY OF REGAL BELOIT AMERICA, INC. ("OWNER") AND CONTAINS OWNER'S PROPRIETARY INFORMATION. ANY PERSON, CORPORATION OR OTHER FIRM RECEIVING IT IS DEEMED BY RECEIVING IT TO AGREE THAT IT, AND/OR ANY PART OF IT, SHALL NOT BE DISCLOSED TO ANY PERSON, CORPORATION OR OTHER ENTITY, DUPLICATED, AND/OR USED, EXCEPT AS EXPRESSLY APPROVED IN WRITING IN ADVANCE BY OWNER. THIS DOCUMENT SHALL BE RETURNED TO OWNER UPON REQUEST. IT MAY BE SUBJECT TO CERTAIN RESTRICTIONS UNDER APPLICABLE EXPORT CONTROL LAWS AND REGULATIONS.				DATE:	
				THIRD ANGLE PROJECTION			

4

3

2

1