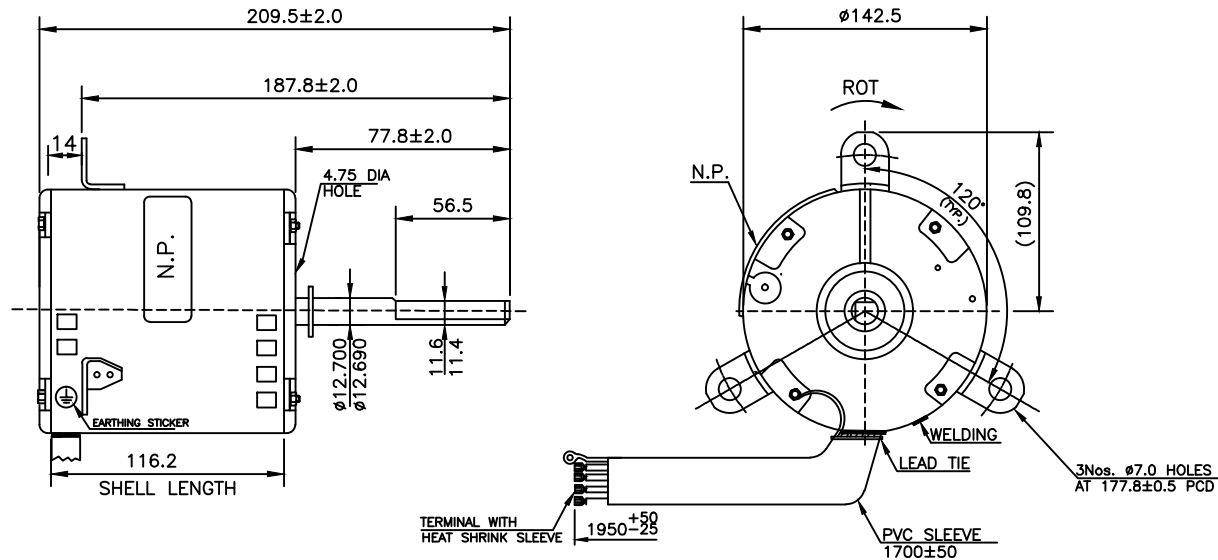


REV. No.	DATE	DRN. BY	CHKD. BY	APPD. BY
NEW	01.12.17	MANOJ	RUPAM	RDS

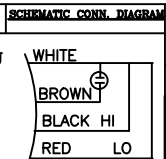
NOTES:-
1. SPRING SHIM ON OLE SIDE



ALL DIMENSIONS HAVING NO TOLERANCE ARE FOR REF. ONLY
ALL DIMENSIONS IN MM
MOTOR OUTLINE(NOT TO SCALE)

REF - MECH HD456S

genteq THERMALLY PROTECTED
CL B INS CAO RTG (CSA) RU
PROPOS ROT → CAP.15.0/440V
HP 1/2 RPM. 890/720
V 230 HZ 50 PH 1 A 3.0
MADE IN INDIA CPN-



DRAWING REVISION	REVISION BY	DATE
ECO	APPROVED BY	DATE
ECO DESCRIPTION		

Copyright Regal Beloit America, Inc. All rights reserved. PROPRIETARY AND CONFIDENTIAL INFORMATION - THIS DOCUMENT IS THE PROPERTY OF REGAL BELOIT AMERICA, INC. ("OWNER") AND CONTAINS OWNER'S PROPRIETARY INFORMATION. ANY PERSON, CORPORATION OR OTHER FIRM RECEIVING IT IS DEEMED BY RECEIVING IT, TO AGREE THAT IT, AND/OR ANY PART OF IT, SHALL NOT BE DISCLOSED TO ANY PERSON, CORPORATION OR OTHER ENTITY, DUPLICATED, AND/OR USED, EXCEPT AS EXPRESSLY APPROVED IN WRITING IN ADVANCE BY OWNER. THIS DOCUMENT SHALL BE RETURNED TO OWNER UPON REQUEST. IT MAY BE SUBJECT TO CERTAIN RESTRICTIONS UNDER APPLICABLE EXPORT CONTROL LAWS AND REGULATIONS.

TOLERANCES UNLESS OTHERWISE SPECIFIED
DEC. DIM INCH ANGLE
.X ±2.5 ±0.10 ±0.5°
.XX ±0.50 ±0.020
.XXX ±0.130 ±0.0051
.XXXX ±0.0130 ±0.00051
REMOVE BURRS & BREAK SHARP EDGES .08/.38 (.003/.015)
CORNER FILLETS .50 (.020)
MACHINED SURFACES 128 INCH/mm 3.2
INCH SHOWN IN [BRACKETS]

DRAWN BY:
DATE:
APPROVED BY:
DATE:
REFERENCE:
THIRD ANGLE PROJECTION

REGAL ™ Regal Beloit America, Inc.	
DESCRIPTION	OUTLINE
MATERIAL	PROCESS/FINISH
SIZE DWG NO	PROPOSED SP-3569
SHEET	1