

4

3

2

1

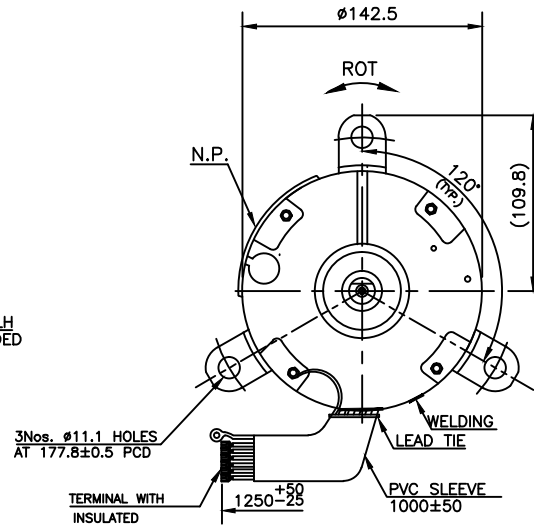
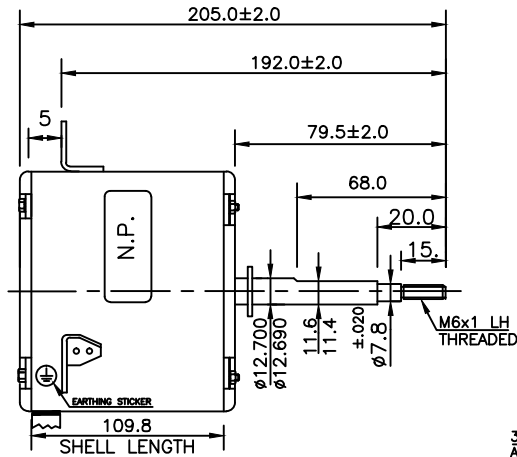
REV. No.	DATE	DRN. BY	CHKD. BY	APPD. BY
A	30.01.17	MANOJ	RUPM	RDS

REV A- NEW FLD RELEASE

NOTES:-

- 1. THRUST WASHER ON OLE SIDE

PROPOSED 2SPD & CCW/CW ROT.



ALL DIM HAVING NO TOLERANCE ARE FOR REF ONLY ALL DIMENSIONS IN MM MOTOR OUTLINE (NOT TO SCALE)

REF - SM16-376 CCW/CW ROT.

SCHEMATIC CONN. DIAGRAM

DRAWING REVISION

REVISION BY

DATE

APPROVED BY

DATE

ECD DESCRIPTION

TOLERANCES UNLESS OTHERWISE SPECIFIED

DEC. mm INCH ANGLE

.X ±2.5 [±0.10] ±0.5°

.XX ±0.50 [±0.020]

.XXX ±0.130 [±0.0051]

.XXXX ±0.0130 [±0.00051]

REMOVE BURRS & BREAK SHARP EDGES .08/38 [003/015]

CORNER FILLETS 50 [020]

MACHINED SURFACES 125/32 [4RD]

INCH SHOWN IN BRACKETS PROJECTION

DRAWN BY:

DATE:

APPROVED BY:

DATE:

REFERENCE

REGAL Regal Beloit America, Inc.

DESCRIPTION OUTLINE

MATERIAL PROCESS/FINISH

SIZE DWG NO B 5KCP39KGHD486S

SHEET 1

NAME DATE DATA

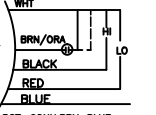
genteq THERMALLY PROTECTED CE B INS CLASS B75 CSA/UL

5KCP39KGHD486S ROT ← CAP. 5.0/400V

W 100 RPM. 900/550

V 230 HZ 50 PH 1 A 1.15

MADE IN INDIA CPN-889152



CCW ROT. CONN. BRN-BLUE  
CONN. CAP. BETWEEN WHT-ORA

FOR CW ROT. CONN. ORA-BLUE  
CONN. CAP. BETWEEN WHT-BRN

COPYRIGHT REGAL BELOIT AMERICA, INC. ALL RIGHTS RESERVED. PROPRIETARY AND CONFIDENTIAL INFORMATION - THIS DOCUMENT IS THE PROPERTY OF REGAL BELOIT AMERICA, INC. (OWNER) AND CONTAINS OWNER'S PROPRIETARY INFORMATION. ANY PERSON, CORPORATION OR OTHER FIRM RECEIVING IT IS DEEMED, BY RECEIVING IT, TO AGREE THAT IT, AND/OR ANY PART OF IT, SHALL NOT BE DISCLOSED TO ANY PERSON, CORPORATION OR OTHER ENTITY, REPRODUCED, AND/OR USED, EXCEPT AS EXPRESSLY APPROVED IN WRITING IN ADVANCE BY OWNER. THIS DOCUMENT SHALL BE RETURNED TO OWNER UPON REQUEST. IT MAY BE SUBJECT TO CERTAIN RESTRICTIONS UNDER APPLICABLE EXPORT CONTROL LAWS AND REGULATIONS.

4

3

2

1