

4

3

2

1

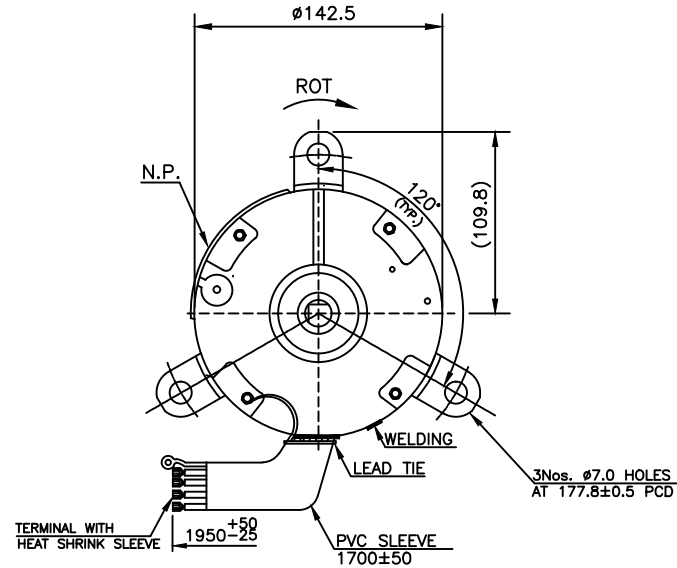
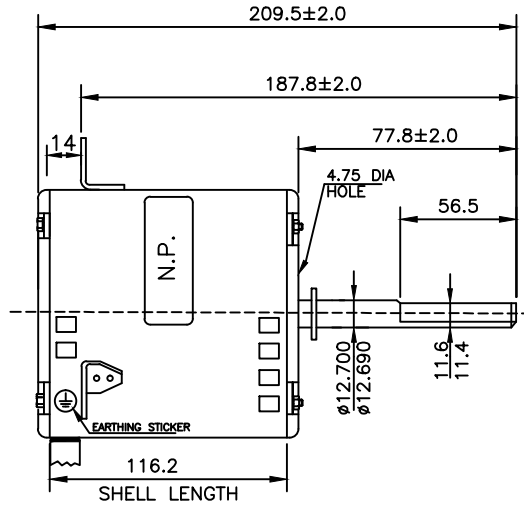
REV. No.	DATE	DRN. BY	CHKD. BY	APPD. BY
A	22.02.17	MANOJ	YATIN	RDS
B	22.04.17	MANOJ	YATIN	RDS
C	12.06.17	MANOJ	YATIN	RDS
D	04.07.17	MANOJ	RUPAM	RDS
E	28.07.17	MANOJ	RUPAM	RDS

REV.A-NEW FLD RELEASE(ECO-0118647)
 REV.B-DRAIN HOLE SHOWN IN OLE END SHIELD(ECO-0122426)
 REV.C-MAIN LEAD LEN.1950 WAS 1450MM & GROUD WIRE LEN.2000 WAS 1500MM & PVC SLEEVE LENGTH 1500 WAS 1000MM (ECO-0125173)
 REV.D-LUG HOLES ϕ 7.0 WAS 11.1 & PVC SLEEVE LENGTH 1700 WAS 1500MM ECO-0126596
 REV.E-CPN NUMBER ADDED (ECO-0128156)

NOTES:-

1. SPRING SHIM ON OLE SIDE

ALL DIMENSIONS HAVING NO TOLERANCE ARE FOR REF. ONLY
ALL DIMENSIONS IN MM
MOTOR OUTLINE(NOT TO SCALE)



A

A

REF -SM16-375	THERMALLY PROTECTED CL B INS CAO RTG CSA	SCHEMATIC CONN. DIAGRAM	DRAWING REVISION	REVISION BY	DATE	TOLERANCES UNLESS OTHERWISE SPECIFIED DEC. mm INCH ANGLE .X ±2.5 [±0.10] ±0.5° .XX ±0.50 [±0.020] .XXX ±0.130 [±0.0051] REMOVE BURRS & BREAK SHARP EDGES .08/.38 (.003/.015) CORNER FILLETS .50 (.020) MACHINED SURFACES $\frac{125}{\text{INCH}} \sqrt{\frac{32}{\text{mm}}}$ INCH SHOWN IN [BRACKETS]	DRAWN BY:	Regal Beloit America, Inc.
			ECO	APPROVED BY	DATE		DATE:	
NAME PLATE DATA	5KCP39LGHD456S ROT → CAP.10.0/450V HP 1/3 RPM. 890/720 V 230 HZ 50 PH 1 A 2.0 MADE IN INDIA CPN-889154	WHITE BROWN BLACK HI RED LO	COPYRIGHT REGAL BELOIT AMERICA, INC. ALL RIGHTS RESERVED. PROPRIETARY AND CONFIDENTIAL INFORMATION - THIS DOCUMENT IS THE PROPERTY OF REGAL BELOIT AMERICA, INC. ("OWNER") AND CONTAINS OWNER'S PROPRIETARY INFORMATION. ANY PERSON, CORPORATION OR OTHER FIRM RECEIVING IT IS DEEMED BY RECEIVING IT TO AGREE THAT IT, AND/OR ANY PART OF IT, SHALL NOT BE DISCLOSED TO ANY PERSON, CORPORATION OR OTHER ENTITY, DUPLICATED, AND/OR USED, EXCEPT AS EXPRESSLY APPROVED IN WRITING IN ADVANCE BY OWNER. THIS DOCUMENT SHALL BE RETURNED TO OWNER UPON REQUEST. IT MAY BE SUBJECT TO CERTAIN RESTRICTIONS UNDER APPLICABLE EXPORT CONTROL LAWS AND REGULATIONS.			APPROVED BY:	DESCRIPTION	PROCESS/FINISH
						THIRD ANGLE PROJECTION	MATERIAL	SIZE DWG NO
							B	5KCP39LGHD456S
								SHEET 1

4

3

2

1