

PART MUST BE FREE OF ALL SCRATCHES AND BURS.  
UNLESS OTHERWISE SPECIFIED, REMOVE SHARP  
EDGES BETWEEN 0.1 AND 0.2MM OR EOV RAO.  
THIS PART SHOULD BE PACKED SO AS TO AVOID  
DAMAGE DURING TRANSPORT.

### WELLING

- MOTOR SPECIFICATIONS:**
- SUPPLY MUST BE ACCORDING TO IEC-335-1 OR 900 ISRAEL SAFETY STD.
  - TYPE: PERMANENT SPLIT CAPACITOR MOTOR 298 ISRAEL STD.
  - SPEED - R.P.M. MEASURED ON MOTOR INSTALLED
  - INSULATION - CLASS B
  - PROTECTION: THERMALLY OR IMPEDANCE PROTECTED TO CLASS B.
  - MAXIMUM OPERATING CONDITIONS ACCORDING TO CLASS B.
  - AMBIENT VOLTAGE ±10%
  - PERMANENTLY LUBRICATED BEARINGS.
  - AXIAL PLAY 1.5MM MAX (NOT IN BALL BEARING)
  - MOTOR SHAFT SHOULD BE PROTECTED FROM CORROSION WITH NICKEL-COPPER COATING.
  - MOTOR MUST BE COMPLY ROHS DIRECTIVE.

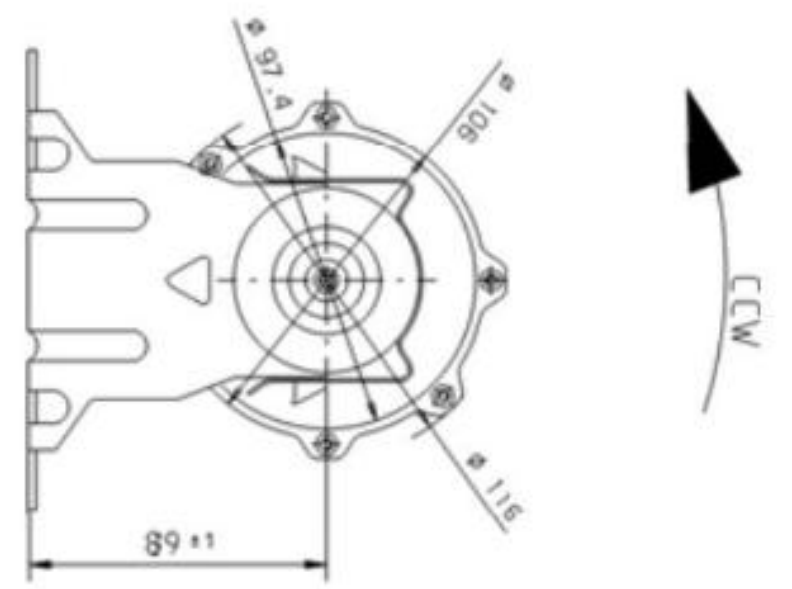
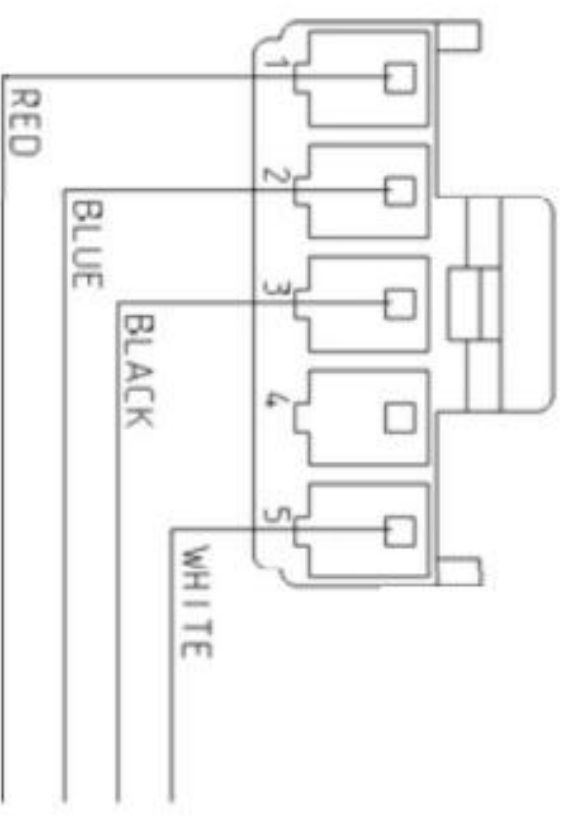
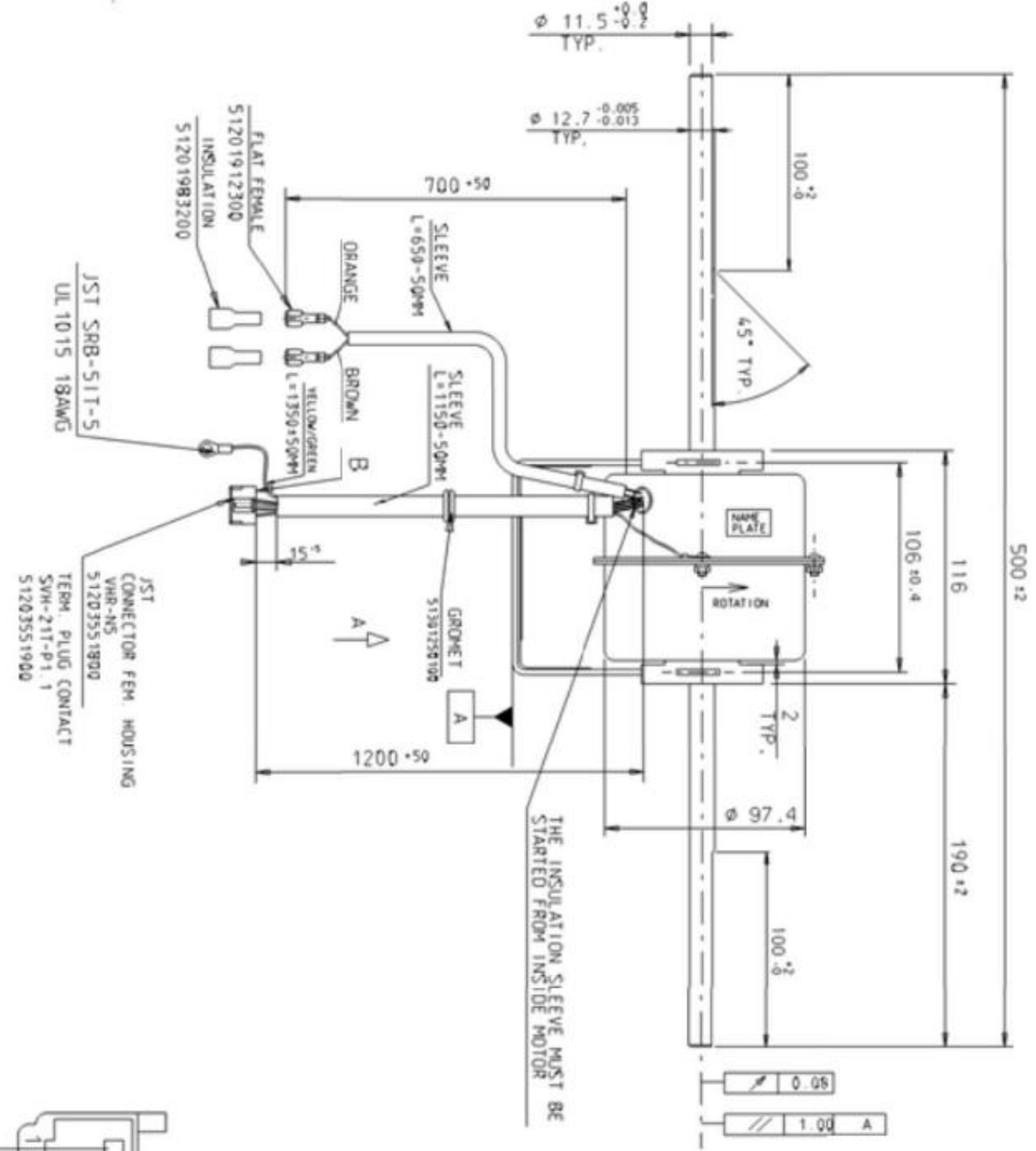
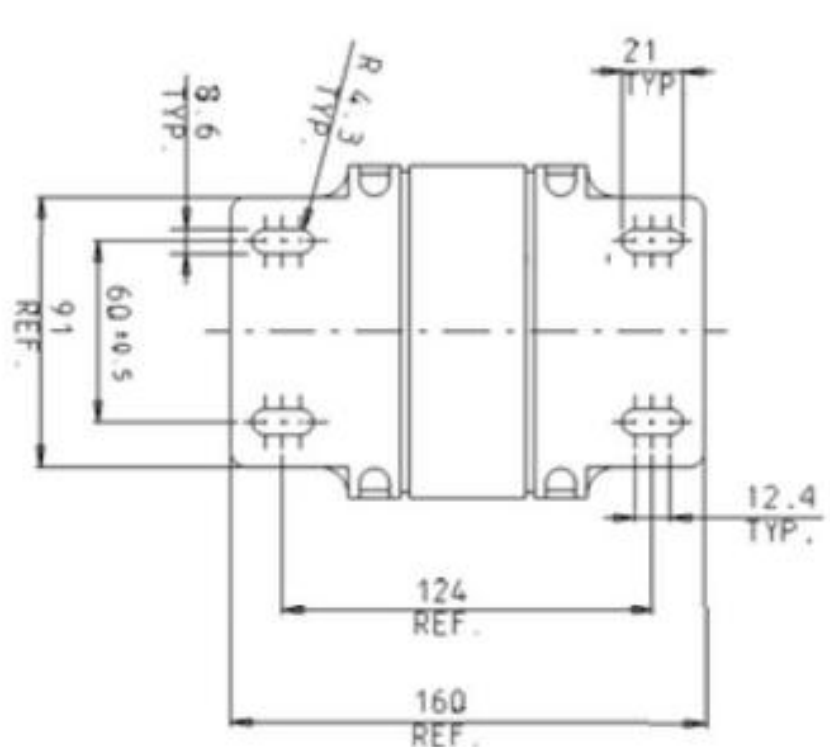
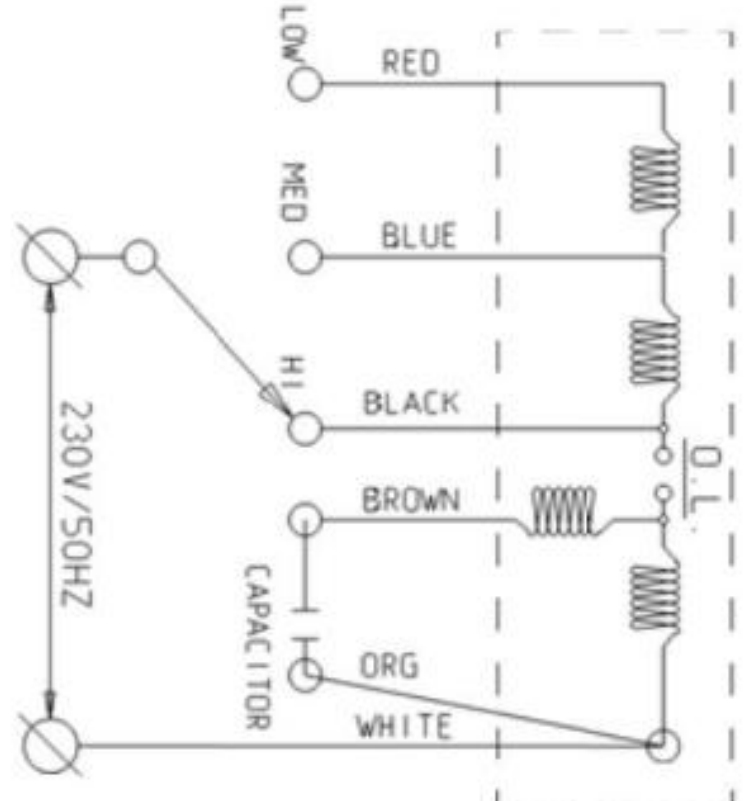
- WIRE SPECIFICATIONS:**
- WIRES LENGTH: RED, BLUE, BLACK, WHITE: 1200±50MM.  
INSULATION: 1150-50MM.
  - WIRE YELLOW/GREEN: 1350±50MM.  
WIRE BROWN/ORANGE: 700±50MM.
  - CONDUCTOR: STARANDED BARE 20 AWG. FOR USA USE 18 AWG, U.L. APPROVED
  - INSULATION: U.L. APPROVED XLPE 125 C OR PVC 105 C.
  - SLEEVE: PVC TUBE 105 C I.D. 12MM ± 0.1MM, 8MM ± 0.1MM.
  - WALL THICKNESS: 0.3MM BLACK, LENGTH: 1350±40MM; 700±10.
  - FOR U.S.A USE U.L. APPROVED SLEEVE.
  - MOTOR ROTATION DIRECTION STICKER SHOULD BE STICKED.
  - A TOOTHED LOCKWASHER SHOULD BE APPLIED BETWEEN THE GROUND.
  - 230V/50HZ MOTOR NAMEPLATE SHOULD BE APPLIED WITH A RED LETTERS ON A SILVER BACKGROUND.

**NAME PLATE**

MANUFACTURER	TYPE	O/P	VOLT	AMPER	R.P.M.	CAPACITOR	I/P
WELLING	YSK30-41	70(W)	230V 50HZ	0.59	1300/1050/850	4*F400V 137(W)	

### MOTOR REQUIREMENTS

MODEL	GCL 300-500 GF 150-500			
CAT. NO.	51601319600			
POWER SUPPLY	50HZ 230 V	1 PHASE		
AIR SPEED	LOW (RED)	MED (BLUE)	HIGH (BLACK)	
FULL LOAD AMP.	0.5 ± 10%	0.53 ± 10%	0.59 ± 10%	
AT NOMINAL VOL.	230 V			
SPEED R.P.M.	850 ± 40	1050 ± 30	1300 ± 20	
MANUFACTURER	WELLING YSK30-4D			



Free of Pb, Cr-VI, Cd, Hg and PBB and PBDE according to the European Directive 2002/95/EC (RoHS Directive)

REV.	DESCRIPTION	E.C.O	DATE	DRW(CHECK)
A	ROHS COMPLIANT (WAS 5130XXXXXXX)		11230	23.02.06 M.P.R.T.

NO.	PART NO.	NAME	DESCRIPTION / MATERIAL	QTY
		EVAP. FAN MOTOR	NTND U111D	
TOLERANCES: MM: 120 10 TO 10: ±0.2 10 TO 20: ±0.2 20 TO 120: ±0.4 120 TO 215: ±0.5 OVER 215: ±0.7 OVER 500: ±0.8 SCALE: A2H SIZE: 1 APPROVED: DANIL I DATE: 3.9.2001				
PRODU/PROJ: GCL-300/500 GF-150/500 TAC-64.0 FILE:				
SYSTEM: CIMATRON SHEET: 2 OF: 2				

THE CONTENT OF THIS DOCUMENT IS TADIRAN APPLIANCES LTD. INTELLECTUAL PROPERTY AND AS THE PROPERTY OF TADIRAN IT IS TO BE TREATED AS STRICTLY CONFIDENTIAL AND IS NOT TO BE DISCLOSED, REPRODUCED OR USED EXCEPT AS AUTHORIZED IN WRITING BY TADIRAN IN CONNECTION WITH THE MANUFACTURE, MAINTENANCE AND USE OF THE TADIRAN EQUIPMENT TO WHICH IT PERTAINS.