

Memory1000



Applications

Memory1000 is available in a wide range of models, combining the capabilities of a monitoring system with the ease-of-use of a data logger in order to meet various customer requirements.

Specifications

Powerful, easy to use and cheap to run
Compatible with RadioAdapter wireless networks
Manages all aspects of network controller alarms

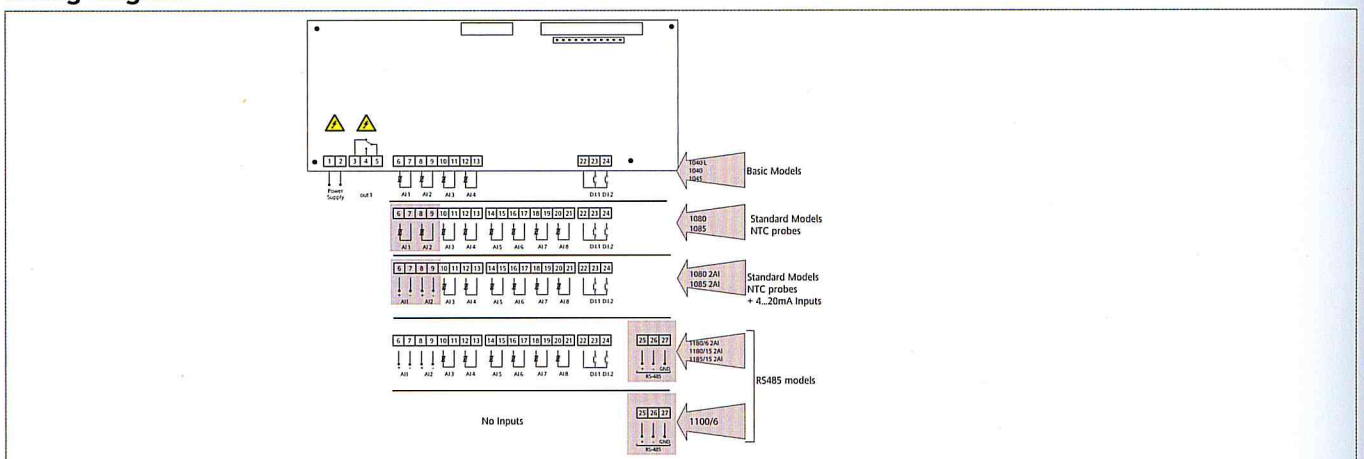
12 months+ data logging capacity
A wide range of models to fit all application requirements

General features	Memory1000 with printer	Memory1000 with no printer
User interface:	Backlit graphic LCD 8 polycarbonate keys	Backlit graphic LCD 7 polycarbonate keys
Analogue inputs:	Up to 8 analogue inputs (NTC/4...20mA)	Up to 8 analogue inputs (NTC/4...20mA)
Digital inputs:	Up to 2 digital inputs	Up to 2 digital inputs
Digital outputs:	1 SPDT 5(2)A 250V~	1 SPDT 5(2)A 250V~
Connections:	RS-485 port for input expansion via compatible Eliwell Televis controllers RS-232 port for exporting data using Microsoft Windows® software (supplied) SD memory card slot for downloading data	RS-485 port for input expansion via compatible Eliwell Televis controllers RS-232 port for exporting data using Microsoft Windows® software (supplied) SD memory card slot for downloading data
Clock:	present	present
Buzzer:	present	present
Power consumption:	20W max (printer in use)	5W max
Power supply:	230V~ ±10% 50/60Hz	230V~ ±10% 50/60Hz
Printer:	Integrated thermal printer	-

Accessories

Codes	Description
RC444444	Thermal paper roll

Wiring diagram



Codes

p/n	description	connectable probes
M1K04N03D1X00	Memory1000 Printer	4 NTC
M1K08N03D1X00	Memory1000 Printer	6 NTC+2x4...20mA
M1K26S03D1X00	Memory1000 Printer	6 NTC+2x4...20mA +RS-485
M1K08N03D0X00	Memory1000 Printer	8 NTC

Codes

p/n	description	connectable probes
M1K04X03D0X00	Memory1000	4 NTC
M1K26N03D0X00	Memory1000	6 NTC+2x4...20mA
M1K26S03D0X00	Memory1000	6 NTC+2x4...20mA +RS-485
M1K08N03D0X00	Memory1000	8 NTC