

●FOR RETURN

Document No.	
--------------	--

DATE : 2009.12.14

●CUSTOMER : SHINCO

DRAFT	CHECK	APPROVE

FOR APPROVAL
SPECIFICATION OF ROTARY COMPRESSOR

MODEL : G4B129JXAJL

FOR CUSTOMER'S APPROVAL			
APPROVAL	YES		NO
DATE OF APPROVAL			
SIGNATURE			
COMPANY NAME			
REMARKS			
ACCESSORIY PARTS			
ITEMS	PART NO	Q'TY	REMARKS
COVER TERMINAL	DB63-02312A	1	
NUT	6021-001142	1	
GASKET	DB63-01416A	1	
SPRING OLP	DB61-01897A	1	
GROMMET ISOLATOR	DB63-00763A	3	
OVERLOAD PROTECTOR	DB35-00024L	1	MRA12074-12007
Please approve compressor specification, out-drawings, accessories and packing specifications.			

SUZHOU SAMSUNG ELECTRONICS CO., LTD
ROTARY COMPRESSOR DIV

ROTARY COMPRESSOR SPECIFICATION SHEET



三星电子

MODEL : G4B129JXAJL

SPEC. NO : SS - 00358

DRAFT	CHECK	APPROVE
-------	-------	---------

Approved by internal system

1. APPLICATION

H/P & Cooling Type Air conditioner

Rated Voltage & Frequency 220-240V 1Φ 50Hz

Refrigerant R410A

2. COMPRESSOR DATA

Pump Type Rolling Piston Type

Displacement 15.02cc/rev

Oil Type FREOL α68ES-T (POE)

Initial Charged 340 cc

Net Weight(Included Oil) 11.71 kg

Painting Black

Suction Tube I.D 12.85mm

Discharge Tube I.D 8.15 mm

3. MOTOR DATA

Motor Type Permanent Split Capacitor

Locked Rotor Amps 32.0Amp at 240 V

Motor Resistance Main Winding : 2.67 Ohm at 20°C

Sub Winding : 3.27 Ohm at 20°C

Insulation Class E Class

4. ELECTRICAL COMPONENTS

Overload Protector MRA12074-12007

Running Capacitor 35uF / 450 VAC

ROTARY COMPRESSOR SPECIFICATION SHEET



三星电子

MODEL : G4B129JXAJL

SPEC. NO : SS - 00358

DRAFT	CHECK	APPROVE
-------	-------	---------

Approved by internal system

5.NOMINAL PERFORMANCE

Voltage (V)	240	-	Note
Cooling Capa. (Btu/h)	13,000	-	-
Running Current (A)	6.0	-	-
Input (W)	1315	-	-
EER (Btu/W.h)	9.90	-	-
Noise (dBA)	55.0 ↓	-	Max of 4 point measurement at 90cm from surface
Vibration (μm)	130.0 ↓	-	Larger tangential vibration displacement at 90° & 180° points

RATING CONDITION

Condensing Temperature 54.4°C (130°F)

Evaporating Temperature 7.2°C (45°F)

Return Gas Temperature 35.0°C (95°F)

Liquid Temperature 46.1°C (115°F)

Ambient Temperature 35.0°C (95°F)

Compressor Cooling 1 m/s air cooling

* Return Gas Temp. for Noise & Vibration is 15.0°C (59°F)

6.GENERAL CHARACTERISTICS

No	Item	Characteristics
1	Operating voltage range	Within ±10% of the rated voltage
2	Starting voltage	No less than 85% of the rated voltage at compressor terminal in pressure balancing condition
3	Hydrostatic pressure rise	Max. 165 kg/cm ² .G
4	Residual moisture/Residual impurities	80 mg Max / 50 mg Max
5	Insulation resistance	50 MΩ min (with 500 V DC mega tester)
6	Withstand voltage	At 1800 V/sec(1250 v/min) Leakage current is less than 2.5 mA

ROTARY COMPRESSOR APPLICATION SHEET



三星电子

MODEL : G4B129JXAJL

SPEC. NO : SS - 00358

DRAFT	CHECK	APPROVE
-------	-------	---------

Approved by internal system

No	Item	Operational standards and limits
1	Quantity of refrigerant charge	Split type: Max. 900g / Window type: Max. 630g (Need to the special discussion in case of excess)
2	Condensing temp (pressure)	28℃ ~ 65℃ (17.20~42.30 kg/cm ² .G)
3	Evaporating temp (pressure)	-25℃ ~ +12.7℃ (2.33~10.90 kg/cm ² .G)
4	Compression ratio	2 ~ 8
5	Suction gas superheat	Sufficient superheat is proffered for preventing liquid flood back
6	Liquid subcool	Sufficient liquid subcool is proffered
7	Discharge gas temp.	Max. 115℃
8	Motor winding temp.	Max. 130℃
9	Bottom shell temperature	Min. 5℃ higher than condensing temp.
10	Abnormal pressure rise	Max. 70.0 kg/cm ² .G
11	On-Off cycle	On/Off= Min. 3 Minutes / Min. 3 Minutes → Total 200,000 cycles
12	Oil level	Steady-state : higher than 5mm based bottom plane of cylinder Transient-state : higher than bottom plane of bottom flange
13	Vibration of tubing	Tubing vibration displacement : Max 0.8mm (±10% of rated voltage) If the resonance of the pipe can be checked, above condition is not necessary
14	Tube stress	Starting & stop : less than 3.5 kg/mm ² Normal operating : less than 1.25 kg/mm ²
15	Spacing of tubing	Between tube and moving parts : Min. 13.0 mm Between tube and non-moving parts : Min. 10.0 mm
16	Length of tubing	Max. 15m between indoor and outdoor sections (Need to the special discussion in case of excess)
17	Height difference of tubing	Max. 7m between indoor and outdoor sections (Need to the special discussion in case of excess)
18	Tilt of operation	The allowable tilt of compressor under operation should be 5° or less
19	Storage	Do not open compressor rubber plugs more than 10 minutes before use Max. storage time : 1 year from manufacturing
20	External shock	External shock should be less than 60 G
21	Prohibition of air or vacuum operating	Do not operate the compressor in air or vacuum
22	Terminal Cover & Nut Fasten Torque	15±5 kgf-cm

ROTARY COMPRESSOR APPLICATION ENVELOPE



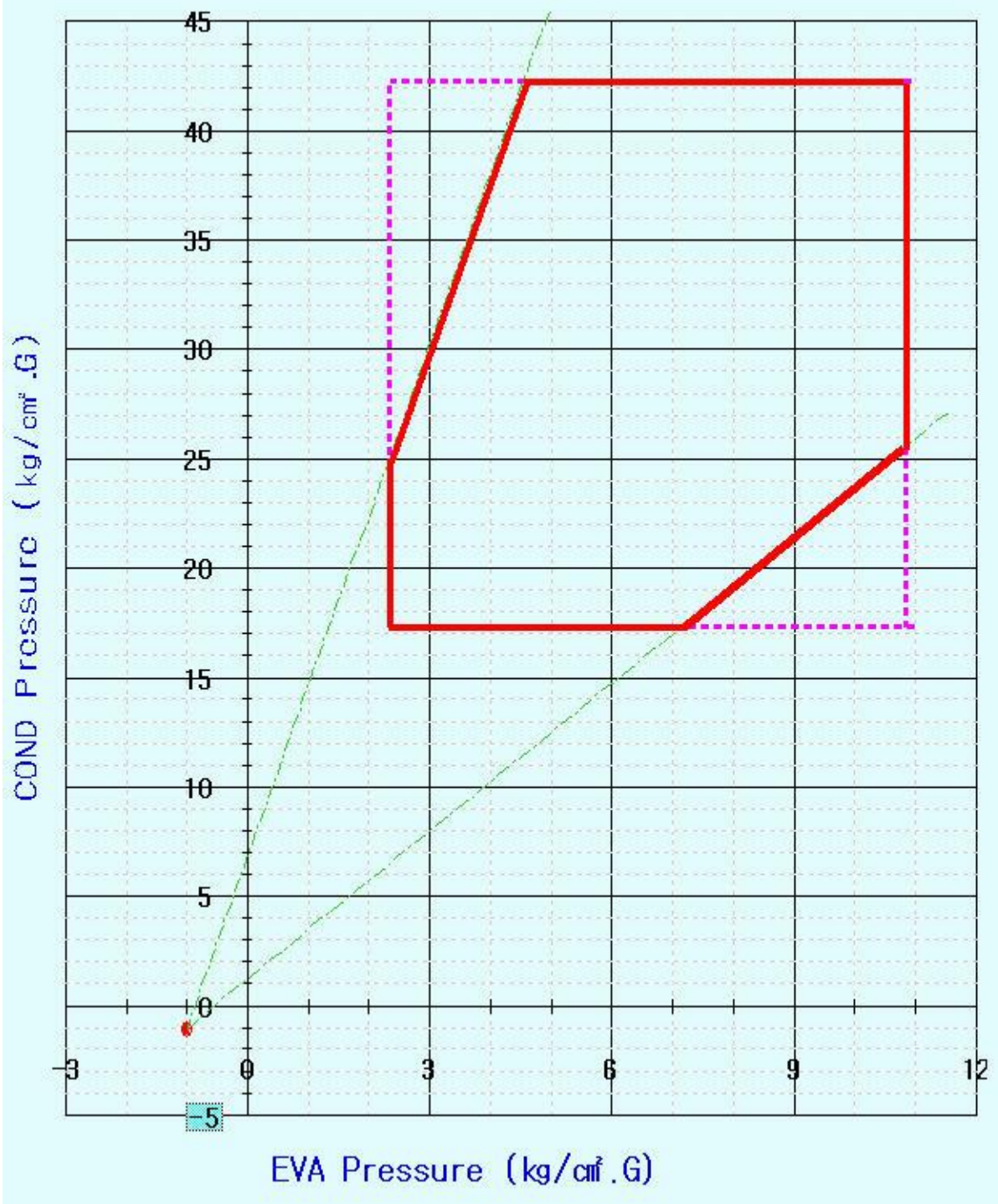
三星电子

SPEC. NO : SS - 00358

MODEL : G4B129JXAJL

DRAFT	CHECK	APPROVE
-------	-------	---------

Approved by internal system



ROTARY COMPRESSOR PERFORMANCE CURVE



三星电子

SPEC. NO : SS - 00358

MODEL : G4B129JXAJL

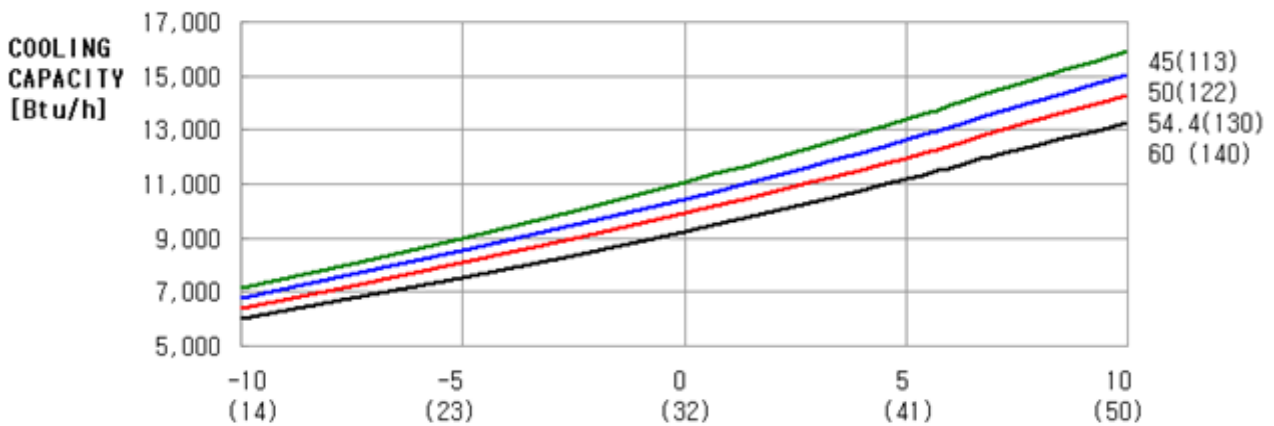
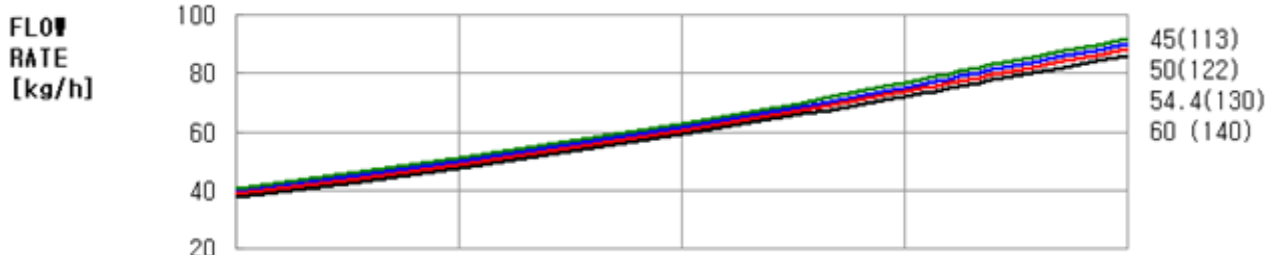
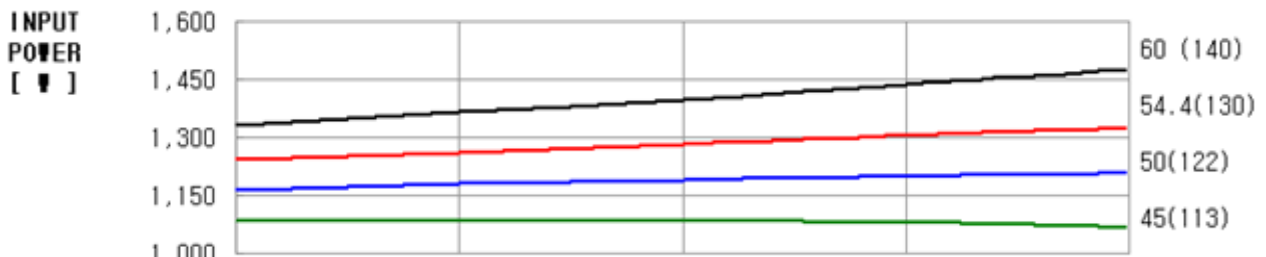
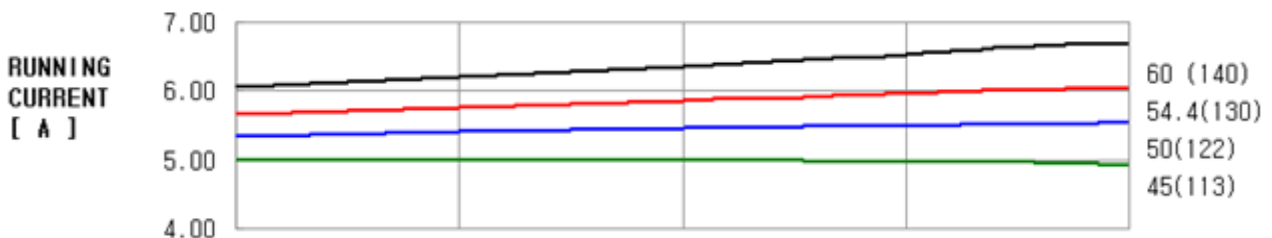
DRAFT	CHECK	APPROVE
-------	-------	---------

Approved by internal system

BASED ON

SUCTION TEMP. : 35°C (95°F)
 SUB COOL TEMP. : 8.3°C (15°F)
 AMBIENT TEMP. : 35°C (95°F)
 VOLTAGE : 240V

CONDENSING TEMPERATURE °C(°F)



EVAPORATING TEMPERATURE °C(°F)

ROTARY COMPRESSOR OUTDRAWING DIMENSION



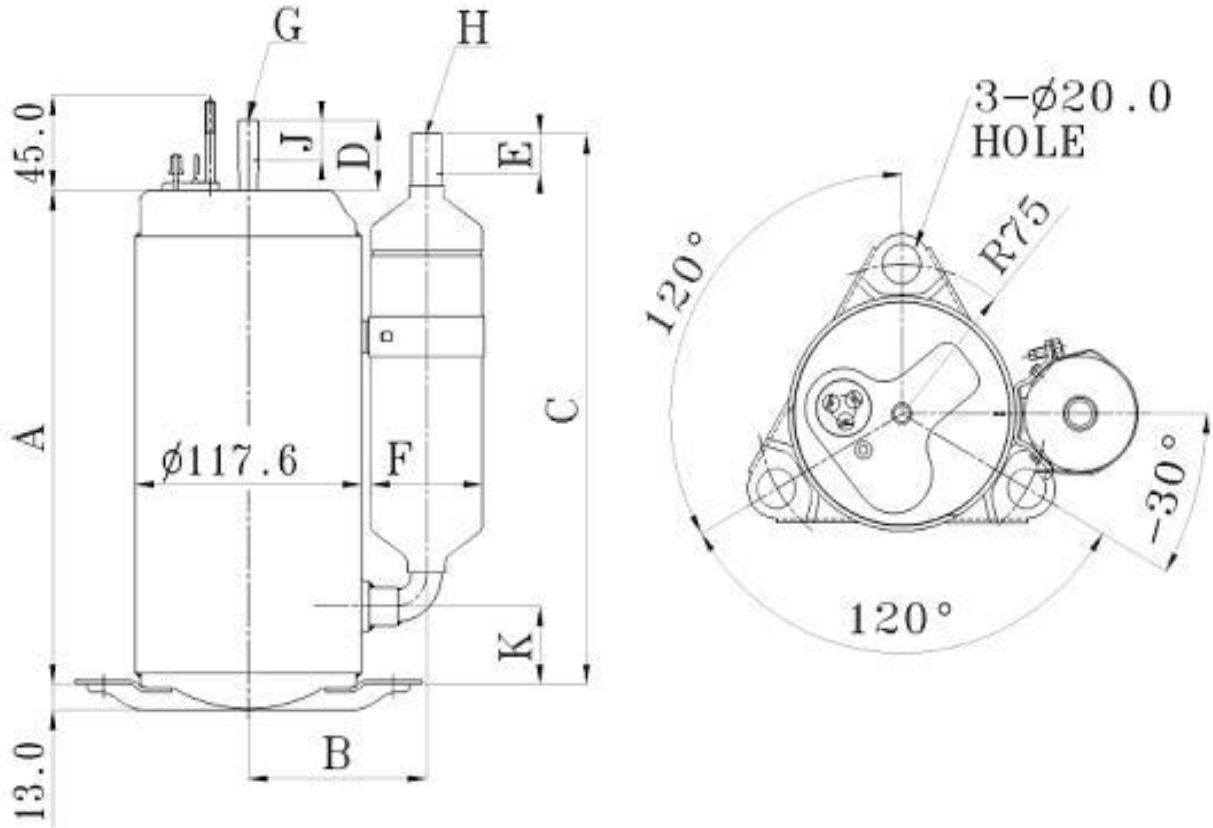
三星电子

SPEC. NO : SS - 00358

MODEL : G4B129JXAJL

DRAFT	CHECK	APPROVE
-------	-------	---------

Approved by internal system



The foot angle is -30 degree from horizontal line that connecting compressor body center with accumulator center.

UNIT: mm, (inch)

MODEL NO.	DIMENSIONS							Accum (OD) F	TUBE (I.D)	
	A	B(±3.0)	C	D	E	J	K		G(±0.15)	H(±0.15)
G4B129JXAJL	247.73	93.5	276.04	35.0	15.0	15.0	39.04	58.4	8.15	12.85
	(9.75)	(3.68)	(10.87)	(1.38)	(0.59)	(0.59)	(1.54)	(2.30)	(0.32)	(0.51)

ROTARY COMPRESSOR ACCESSORY DIMENSION



三星电子

SPEC. NO : SS - 00358

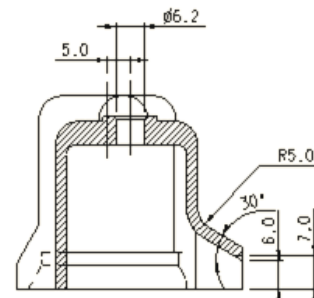
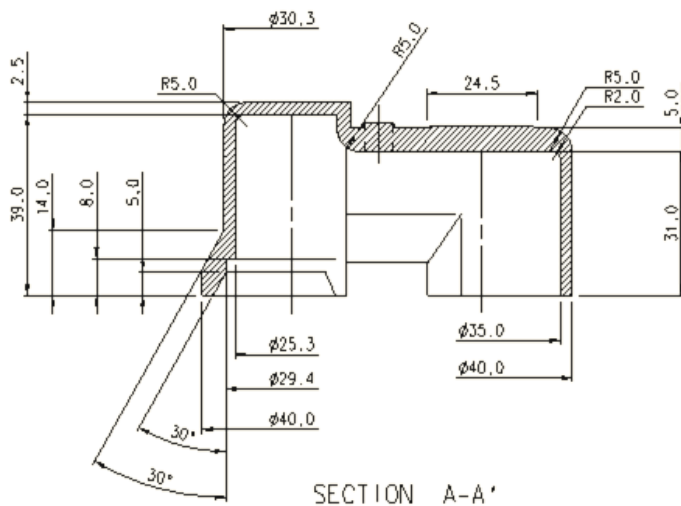
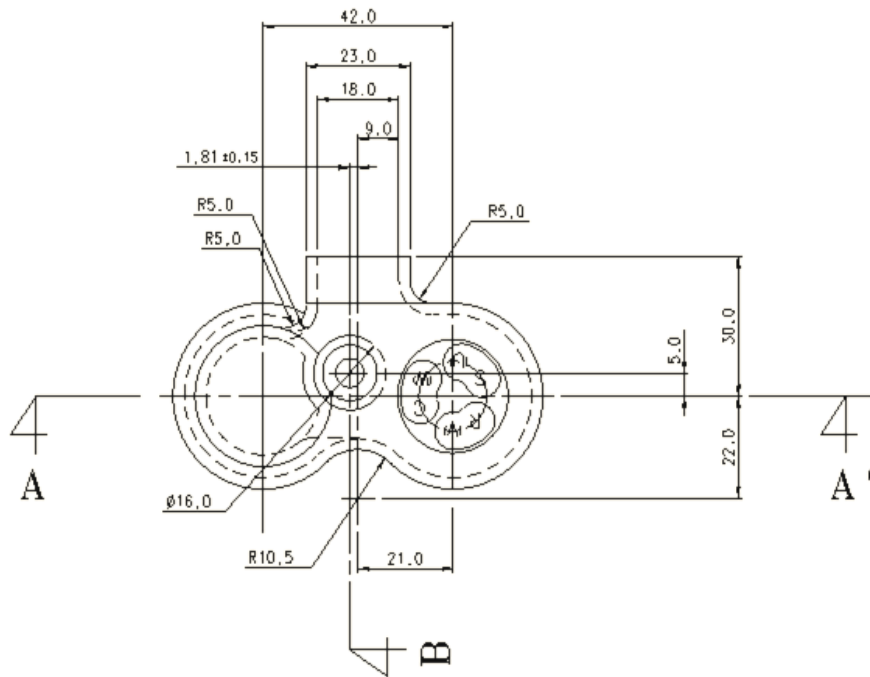
MODEL : G4B129JXAJL

DRAFT CHECK APPROVE

Approved by internal system

ITEM	COVER TERMINAL	PART NO.	DB63-02312A	Q'TY	1	REMARK
------	----------------	----------	-------------	------	---	--------

- Material : SABIC N1250
- Color : Black
- U.L 94, 5VA



SECTION B-B'

SECTION A-A'

ROTARY COMPRESSOR ACCESSORY DIMENSION



三星电子

SPEC. NO : SS - 00358

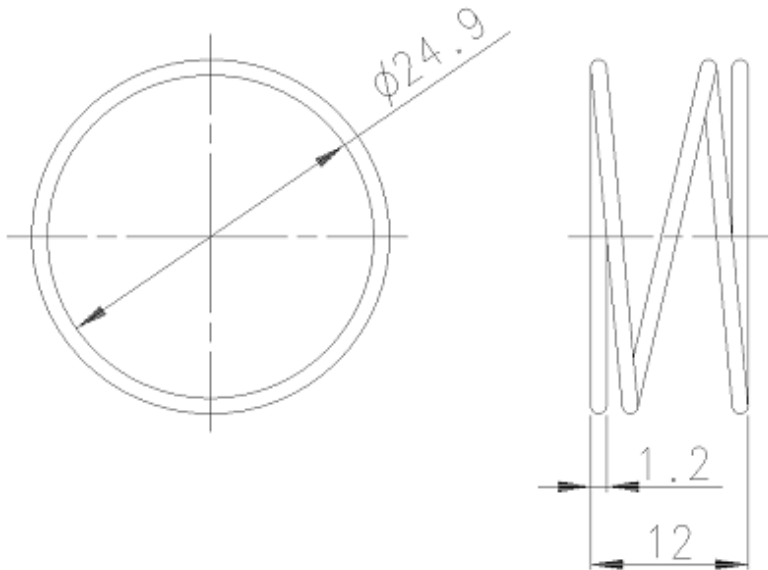
MODEL : G4B129JXAJL

DRAFT	CHECK	APPROVE
-------	-------	---------

Approved by internal system

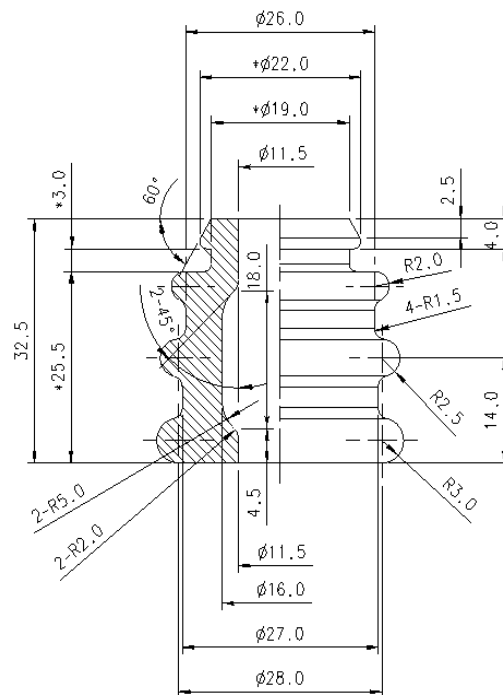
ITEM	OLP - SPRING	PART NO.	DB61-01897A	Q'TY	1	REMARK	-
------	--------------	----------	-------------	------	---	--------	---

- Material : STS304 - WPB



ITEM	GROMMET-ISOLATOR	PART NO.	DB63-00763A	Q'TY	3	REMARK	
------	------------------	----------	-------------	------	---	--------	--

- Material : NR
- Hardness : $35^{\circ} \pm 4^{\circ}$



ROTARY COMPRESSOR ACCESSORY DIMENSION



三星电子

SPEC. NO : SS - 00358

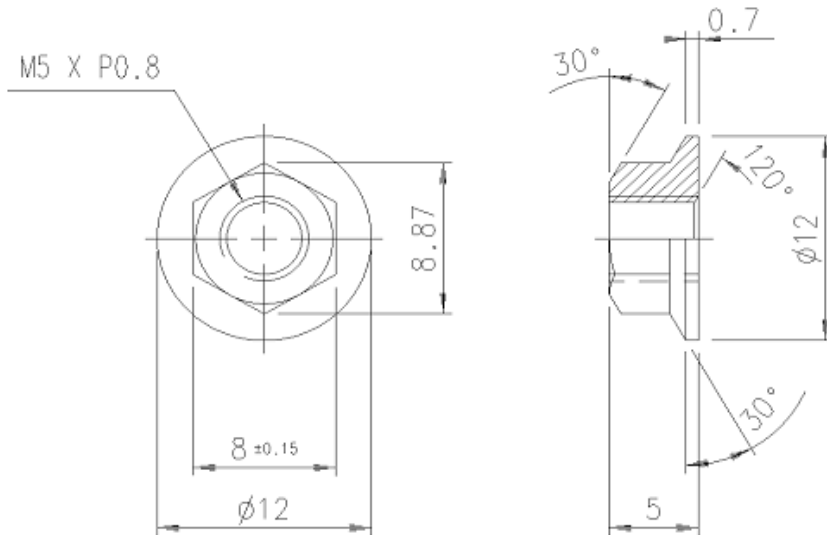
MODEL : G4B129JXAJL

DRAFT	CHECK	APPROVE
-------	-------	---------

Approved by internal system

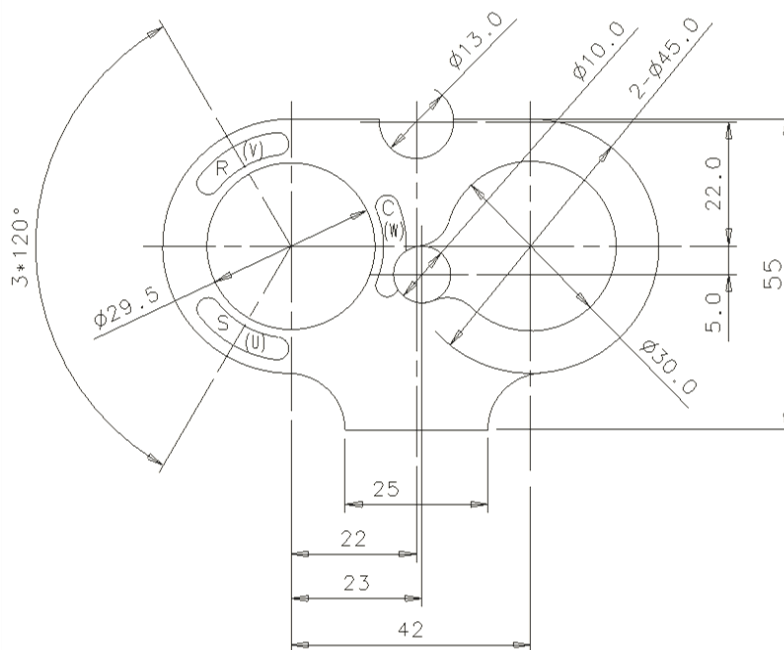
ITEM	NUT	PART NO.	6021-001142	Q'TY	1	REMARK	
------	-----	----------	-------------	------	---	--------	--

-Material : SWCH10A



ITEM	GASKET	PART NO.	DB63-01416A	Q'TY	1	REMARK	
------	--------	----------	-------------	------	---	--------	--

- Material : EPDM RUBBER
- Hardness : 80-85
- Thickness : 1.2 ± 0.2



ROTARY COMPRESSOR ACCESSORY DIMENSION



三星电子

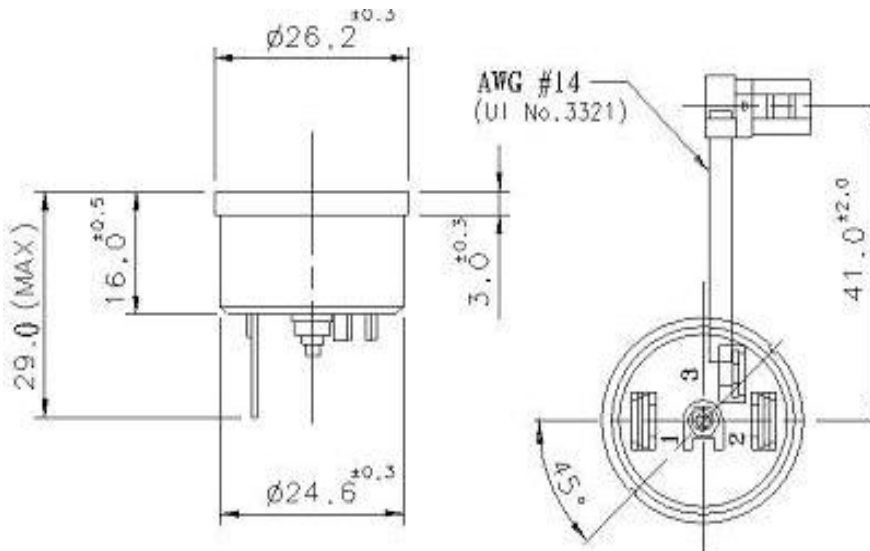
SPEC. NO : SS - 00358

MODEL : G4B129JXAJL

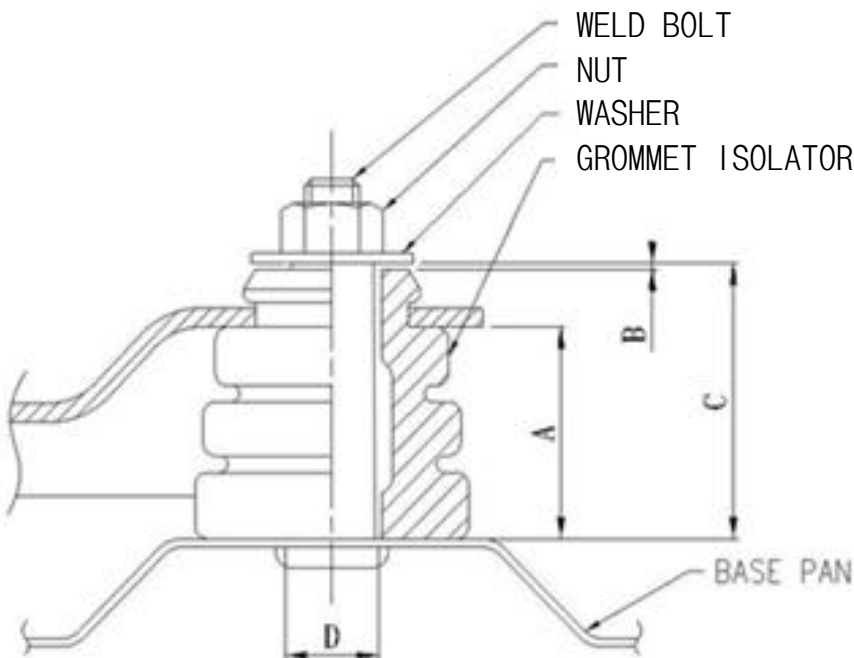
DRAFT	CHECK	APPROVE
-------	-------	---------

Approved by internal system

ITEM	OVERLOAD PROTECTOR (OLP)	PART NO.	DB35-00024L	Q'TY	1	REMARK	MRA12074-12007
------	--------------------------	----------	-------------	------	---	--------	----------------



ITEM	MOUNTING TYPE (1 FOOT TYPE)	PART NO.		Q'TY	1	REMARK	
------	-----------------------------	----------	--	------	---	--------	--



A	25.5 mm
B	0.5 ~ 2.0 mm
C	33.5 mm
D	11.5 mm

ROTARY COMPRESSOR WIRING DIAGRAM



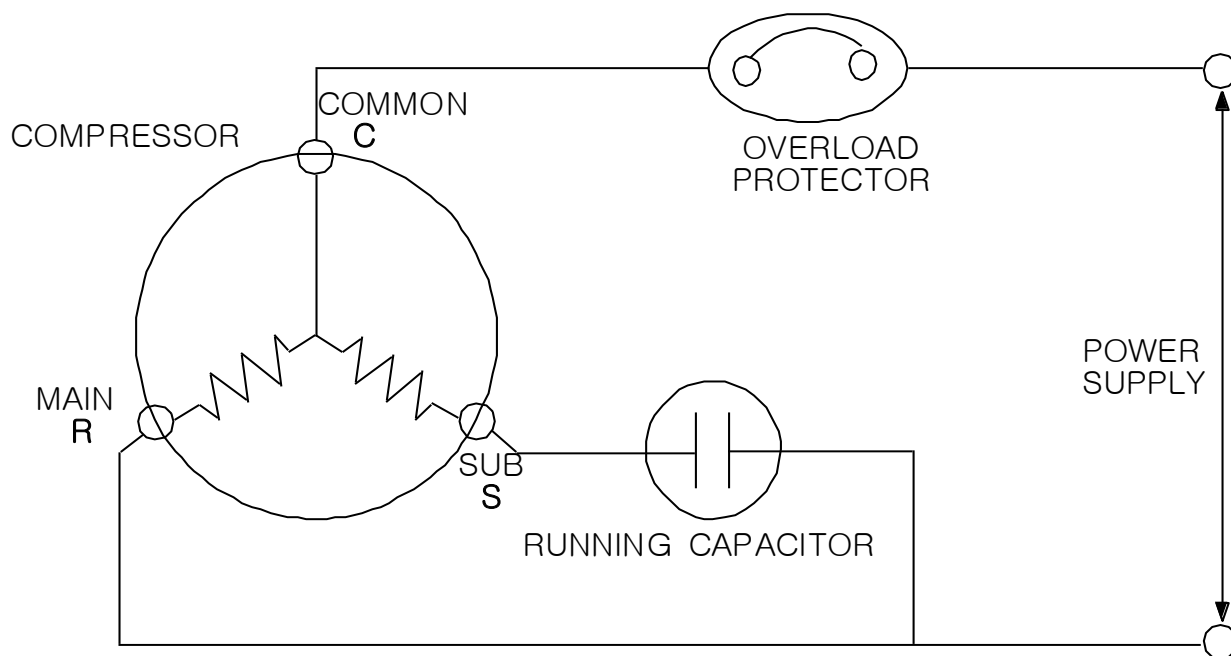
三星电子

MODEL : G4B129JXAJL

SPEC. NO : SS - 00358

DRAFT	CHECK	APPROVE
-------	-------	---------

Approved by internal system



STANDARD EXPORT PACKING IN 20 FEET CONTAINER



三星电子

MODEL : G4B129JXAJL

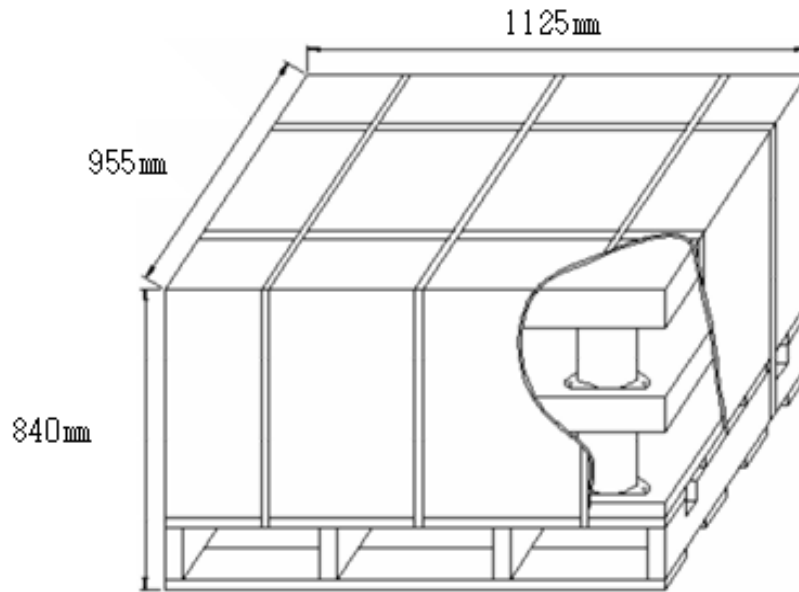
SPEC. NO : SS - 00358

DRAFT	CHECK	APPROVE
-------	-------	---------

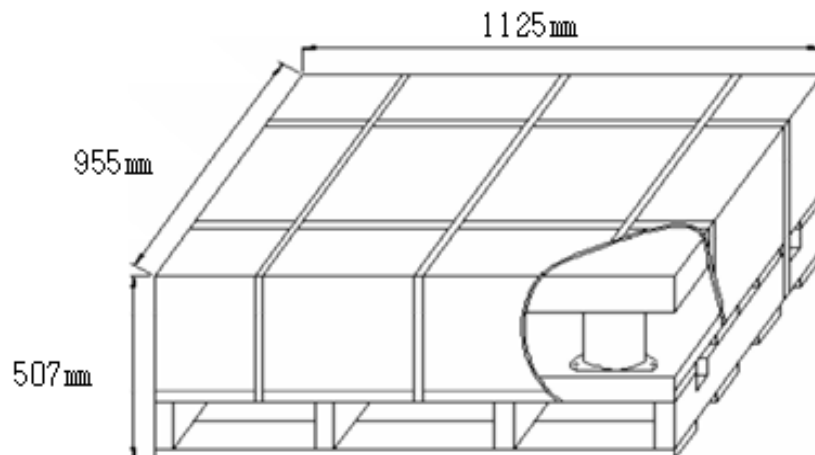
Approved by internal system

FRAME	Compressor Q'ty / Carton		Carton Q'ty (20Ft)		Accessory Box ⑤ (Carton)	Loading Quantity ⑥ (pcs)
	1 step ① (pcs)	2 step ② (pcs)	1 step ③ (Carton)	2 step ④ (Carton)		
44B	36	72	4	16	6	1,296

Total Compressor Q'ty = ① * ③ + ② * ④ = ⑥ (1,296 pcs)



2 STEP PACKING ⑥



1 STEP PACKING ①

A/C SET TEST DATA

Please, fill in the below to check whether is applied or not the exact compressor to your A/C.

1. General data

No	Item	Data
1	Air conditioner model name	
2	Compressor name	
3	Refrigerant volume	Standard (kg). Max (kg)
4	Length of tubing (m)	
5	Height difference of tubing (m)	
6	Air conditioner Type	Window () or Split () / Cooling () or H/P ()
7	Sales area	

2. Data in overload running condition & low temperature's

No	Condition	Data																																																																																										
1	Overload running	<table border="1"> <thead> <tr> <th>Item</th> <th>Indoor temp.</th> <th>Out door temp.</th> </tr> </thead> <tbody> <tr> <td>Cooling</td> <td>DB/WB : / °C</td> <td>DB/WB : / °C</td> </tr> <tr> <td>Heating</td> <td>DB/WB : / °C</td> <td>DB/WB : / °C</td> </tr> </tbody> </table>	Item	Indoor temp.	Out door temp.	Cooling	DB/WB : / °C	DB/WB : / °C	Heating	DB/WB : / °C	DB/WB : / °C																																																																																	
		Item	Indoor temp.	Out door temp.																																																																																								
		Cooling	DB/WB : / °C	DB/WB : / °C																																																																																								
		Heating	DB/WB : / °C	DB/WB : / °C																																																																																								
		<table border="1"> <thead> <tr> <th rowspan="2">Item</th> <th colspan="3">Cooling</th> <th colspan="3">Heat pump</th> </tr> <tr> <th>Low Voltage</th> <th>Rated Voltage</th> <th>High Volatage</th> <th>Low Voltage</th> <th>Rated Voltage</th> <th>High Volatage</th> </tr> </thead> <tbody> <tr> <td>Voltage (V)</td> <td></td> <td></td> <td></td> <td></td> <td></td> <td></td> </tr> <tr> <td>Input (W)</td> <td></td> <td></td> <td></td> <td></td> <td></td> <td></td> </tr> <tr> <td>Current (A)</td> <td></td> <td></td> <td></td> <td></td> <td></td> <td></td> </tr> <tr> <td>T-coil(°C)</td> <td></td> <td></td> <td></td> <td></td> <td></td> <td></td> </tr> <tr> <td>T-top (°C)</td> <td></td> <td></td> <td></td> <td></td> <td></td> <td></td> </tr> <tr> <td>T-dis (°C)</td> <td></td> <td></td> <td></td> <td></td> <td></td> <td></td> </tr> <tr> <td>T-suction(°C)</td> <td></td> <td></td> <td></td> <td></td> <td></td> <td></td> </tr> <tr> <td>T-cond (°C)</td> <td></td> <td></td> <td></td> <td></td> <td></td> <td></td> </tr> <tr> <td>T-eva (°C)</td> <td></td> <td></td> <td></td> <td></td> <td></td> <td></td> </tr> <tr> <td>High pressure (kg/cm².G)</td> <td></td> <td></td> <td></td> <td></td> <td></td> <td></td> </tr> <tr> <td>Low pressure (kg/cm².G)</td> <td></td> <td></td> <td></td> <td></td> <td></td> <td></td> </tr> </tbody> </table>	Item	Cooling			Heat pump			Low Voltage	Rated Voltage	High Volatage	Low Voltage	Rated Voltage	High Volatage	Voltage (V)							Input (W)							Current (A)							T-coil(°C)							T-top (°C)							T-dis (°C)							T-suction(°C)							T-cond (°C)							T-eva (°C)							High pressure (kg/cm ² .G)							Low pressure (kg/cm ² .G)						
		Item		Cooling			Heat pump																																																																																					
			Low Voltage	Rated Voltage	High Volatage	Low Voltage	Rated Voltage	High Volatage																																																																																				
		Voltage (V)																																																																																										
		Input (W)																																																																																										
		Current (A)																																																																																										
		T-coil(°C)																																																																																										
		T-top (°C)																																																																																										
		T-dis (°C)																																																																																										
		T-suction(°C)																																																																																										
T-cond (°C)																																																																																												
T-eva (°C)																																																																																												
High pressure (kg/cm ² .G)																																																																																												
Low pressure (kg/cm ² .G)																																																																																												

No	Condition	Data							
2	Low Temp. running	Item		Indoor temp.		Out door temp.			
		Cooling		DB/WB : / °C		DB/WB : / °C			
		Heating		DB/WB : / °C		DB/WB : / °C			
				Cooling			Heat pump		
				Low Voltage	Rated Voltage	High Volatage	Low Voltage	Rated Voltage	High Volatage
		Voltage (V)							
		Input (W)							
		Current (A)							
		T-coil(°C)							
		T-top (°C)							
		T-dis (°C)							
		T-suction(°C)							
		T-cond (°C)							
		T-eva (°C)							
High pressure (kg/cm ² .G)									
Low pressure (kg/cm ² .G)									

3. Starting ability data & stall's

Items	Judgment	Test voltage (V)	Test Current (A)	High pressure (kg/cm ² .G)	Low pressure (kg/cm ² .G)	T-top (°C)
Restarting ability after overload running	OK () NG ()					
Starting ability in soaking condition (Nekomi)	OK () NG ()					
Stall	OK () NG ()					

4. Electirc parts specification

Electric parts					
Running capacitor	uF /	Vac	Starting capacitor	uF /	Vac
Starting relay	(Model name :)				
PTC relay	Ω	V	(Model name :)		
OLP	(Model name :)				