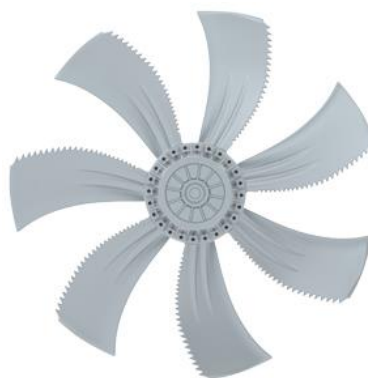


Movement by Perfection



The Royal League in **ventilation**, control and drive technology



#### Product documentation

Type  
FN071-VDK.6N.V7P2

Article number  
141772

## Product documentation

Customer

-

ZIEHL-ABEGG Contact

Michael Sinn

Tel. +49 7940 16 90285

michael.sinn@ziehl-abegg.de

Project

-

ZIEHL-ABEGG Sales Representative

DAYAN REFRIGERATION SUPPLIERS LTD

dayan@dayan-rs.com

Phone: +972-3-5599550

Fax: +972-3-5599689

Mobile: +972-50-6787107

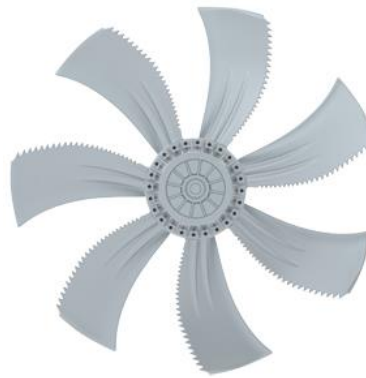
Website: www.dayan-rs.com

Type

FN071-VDK.6N.V7P2

Article number

141772



### Contents

1.	Product specification	3
2.	Characteristic Curve	4
3.	Drawing	5
4.	Connection diagram	6
5.	EU-Declaration of conformity	7

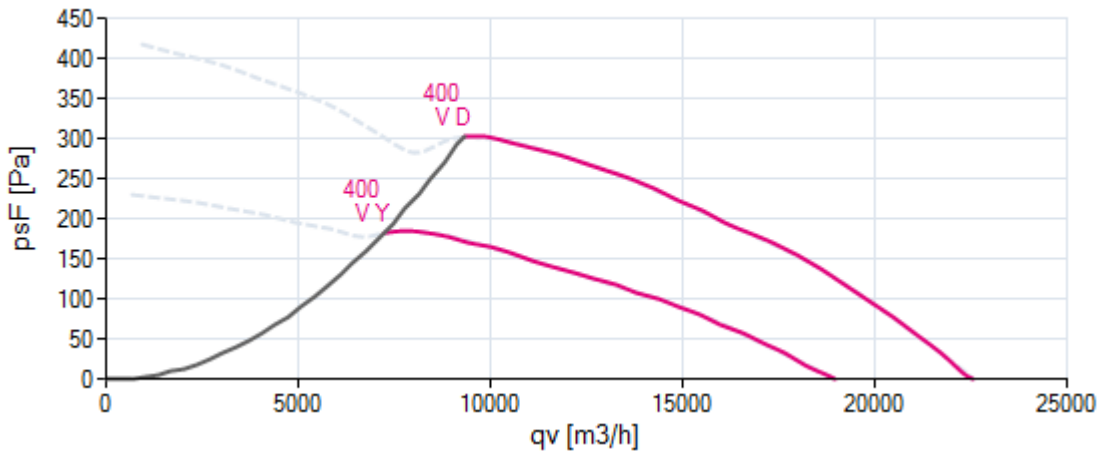
### 1. Product specification

#### Technical data

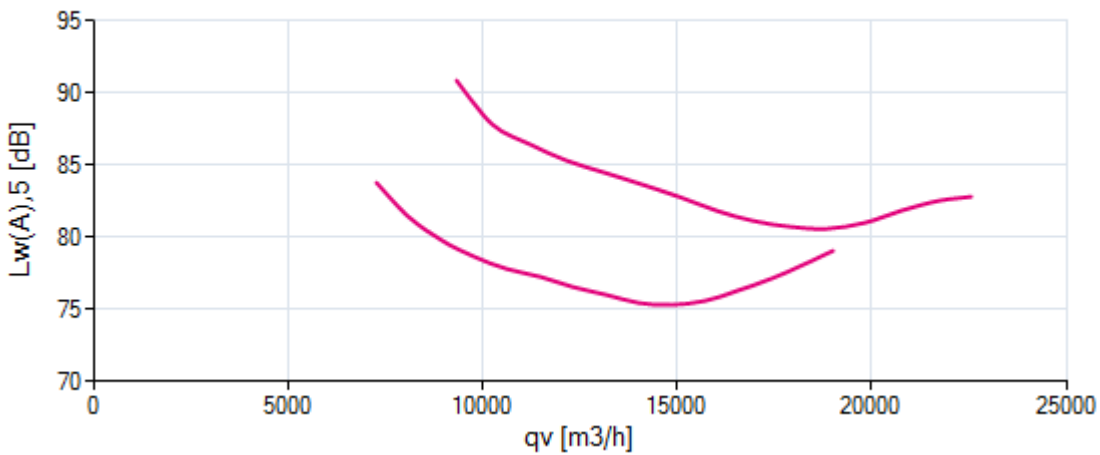
Article number	141772
Type	FN071-VDK.6N.V7P2
Designation	Axial fan with sickle blades
Rated values	3~400V±10% D/Y 50Hz P <sub>1</sub> 2.60/1.70kW 4.80/ 2.90A ΔI=5% 1330/1050/min COSY 0,78 60°C
Electrical connection	Terminal box K62
Min. operating temperature °C	-40
Mounting type terminal box	Mounted on Stator
Type of protection	IP54
Thermal class	THCL155
Connection diagram	1360-108XA
Rating plate	1x fixed
Fitting position	H/Vu/Vo
Motor protection	thermal contact
Impregnation	Moisture and hot climate protection
Quality of bearings	ball bearing with long-time lubrication
Material Rotor	Aluminium
Painting rotor	unpainted
Material blades	aluminium
Painting impeller	unpainted
Guard grille type	ring grille
Other	All connecting elements in stainless steel.
Painting mot.suspens	Motor suspension powder-coated consistency class 1
colour suspension	RAL 9005 (jet black)
Weight kg	31,70
ErP Data	Efficiency $\eta_{statA}$ : 37.9 % Efficiency: $N_{actual} = 41.7 / N_{target} = 40^*$ *ErP 2015

## 2. Characteristic Curve

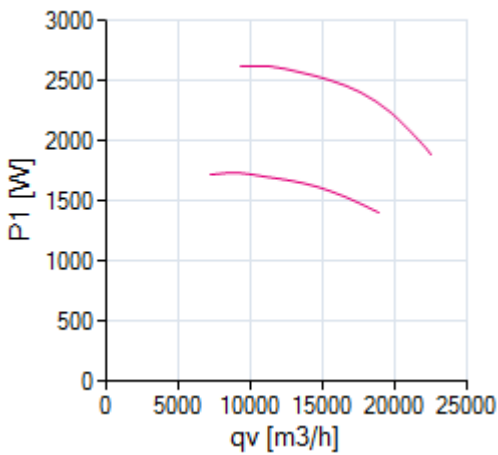
### Air performance



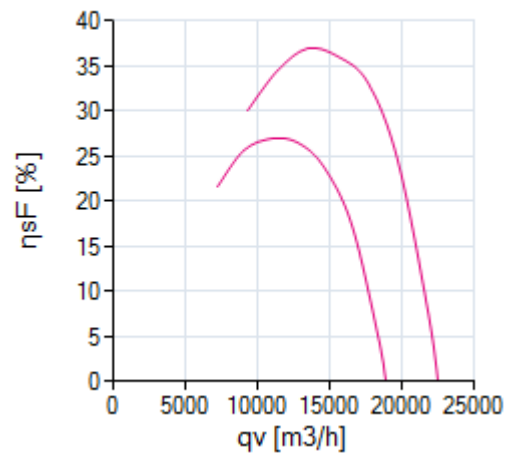
### Acoustics



### Power input

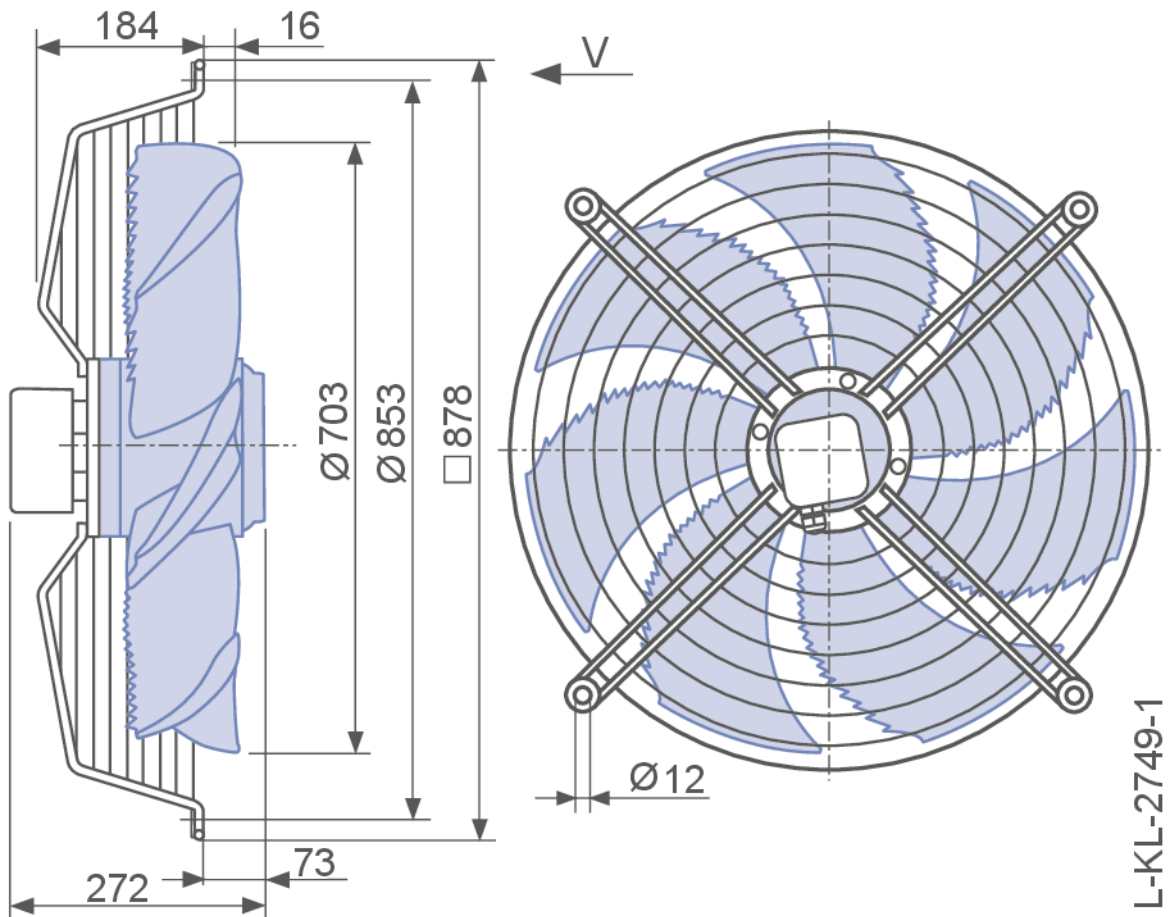


### Efficiency



measured in full bell mouth without guard grille in installation type A according to ISO 5801

### 3. Drawing



Dimensions in mm  
Shown drawing is just to show the dimensions of the fan.

### 4. Connection diagram

#### Connection diagram

**1360-108XA**

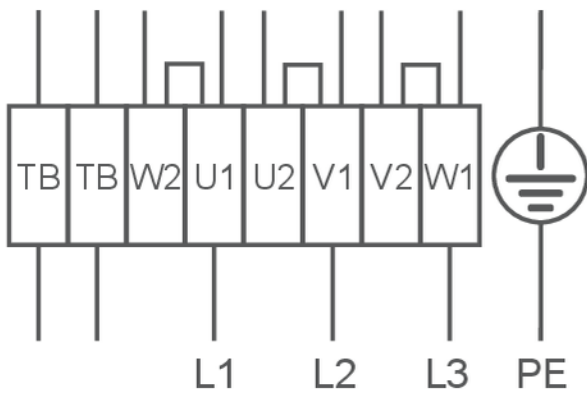
#### Description

3~ motor, 2 speeds (D/Y switch over) with thermostatic switch (if built in).  
Without bridge when using speed change-over switch.

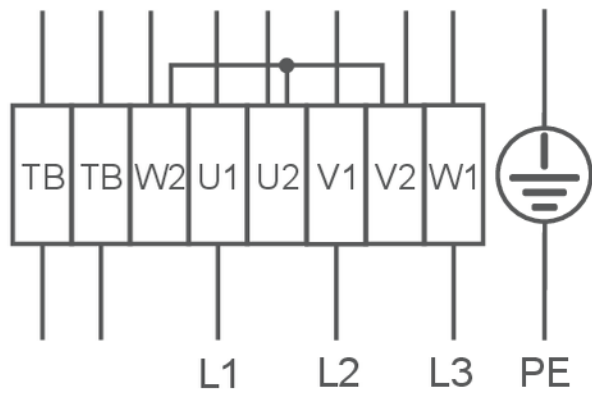
#### Cable colours

U1	brown
V1	blue
W1	black
U2	red
V2	grey
W2	orange
TB	white

#### High speed/D-connection



#### Low speed/Y-connection



## 5. EU-Declaration of conformity

### EC-Declaration of conformity

as defined by the EC Low Voltage Directive 2006/95/EC, the EMC guideline 2004/108/EC, as well as ErP guideline 2009/125/EG.

**The type of machinery:**

- External rotor motor MK.., MW..
- Axial fan FA.., FB.., FC.., FE.., FF.., FS.., FT.., FH.., FL.., FN.., VR.., VN.., ZC.., ZF.., ZN..
- Centrifugal fan RA.., RD.., RE.., RF.., RG.., RH.., RK.., RM.., RR.., RZ.., GR.., ER..

**Motor type:**

- Asynchronous internal or external rotor motor with integrated frequency inverter for EDP system
- Electronically commutated internal or external rotor motor with integrated EC controller for EDP system

is developed, designed and manufactured in accordance with the EC Directives 2006/95/EC, 2004/108/EC and 2009/125/EC, on the own responsibility of

**ZIEHL-ABEGG SE**  
Heinz-Ziehl-Strasse  
D-74653 Kuenzelsau

**The following standards are applied:**

EN 60034-1:2010+Cor.:2010, EN 60204-1:2006, EN 60529:1991 + A1:2000, EN 61000-6-4:2007, EN 61000-6-2:2005

Compliance with the ErP Directive 2009/125/EC does not refer to external rotor motors MK.., MW..

Compliance with the EMC Directive 2004/108/EEC only applies to this product if it is connected according to the operating instructions. If this product is integrated in a system or complemented and operated with other components (e.g., switching and control equipment), the manufacturer of or company operating the overall plant is responsible for compliance with the EMC Directive 2004/108/EEC.

The complete technical documentation is available.

22.11.2013

Dr. W. Angelis - Technical Director Air Movement  
Division





The Royal League in ventilation, control and drive technology

## Intelligent control technology for any application

**ZIEHL-ABEGG system capabilities:  
Everything from a single source – perfectly matched for optimal performance**

Please contact us. We would be pleased to design an individual solution for your requirements.

We would like to welcome you on our worldwide exhibitions. Please find our next exhibitions [here](#).