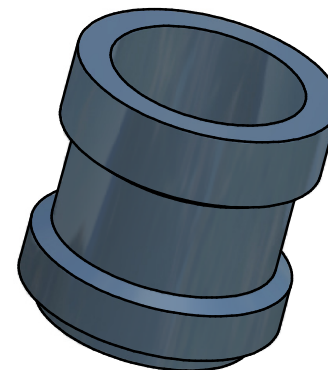
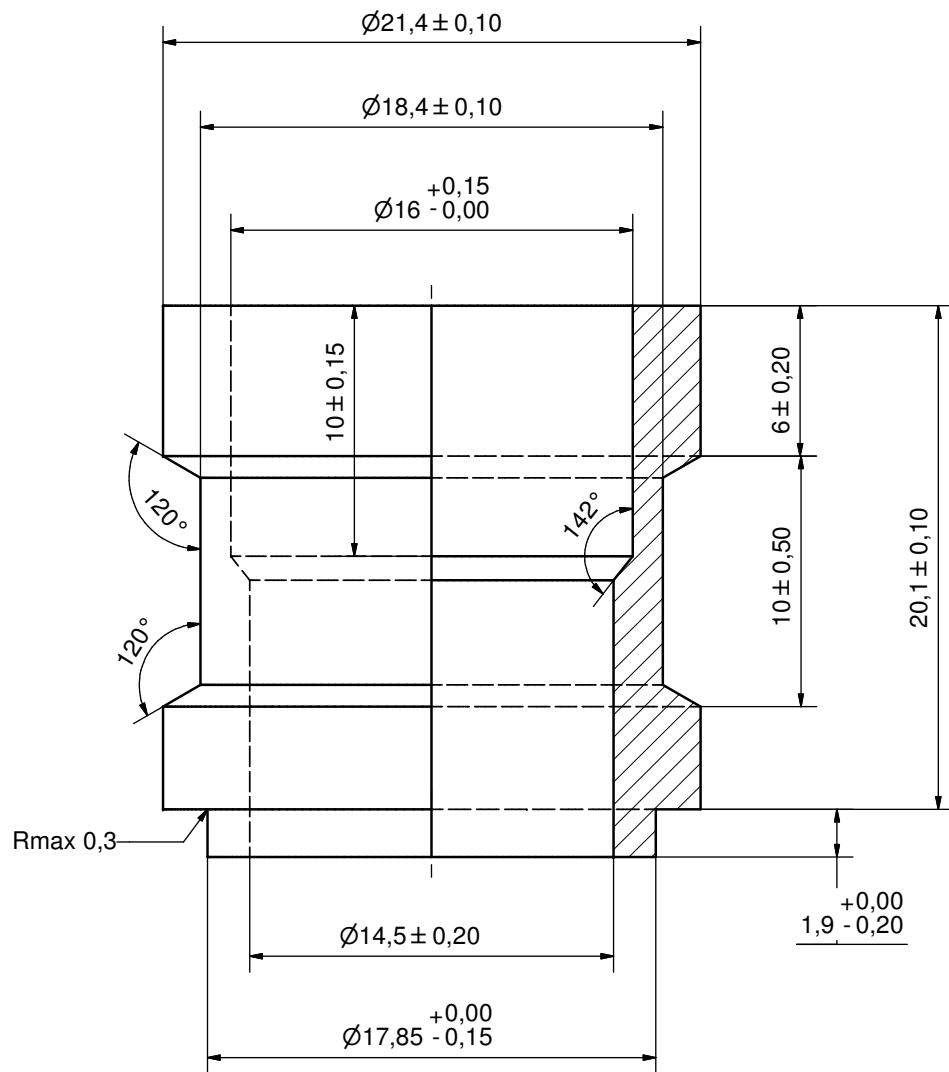



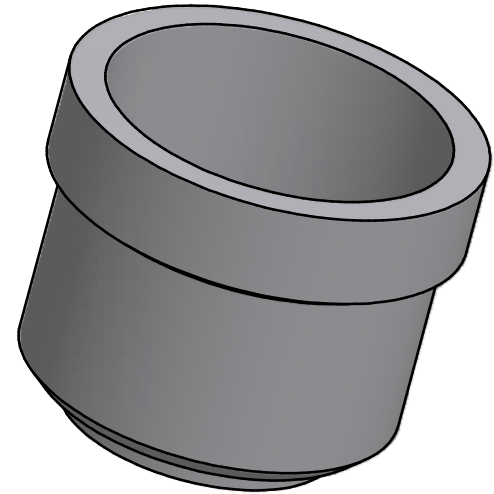
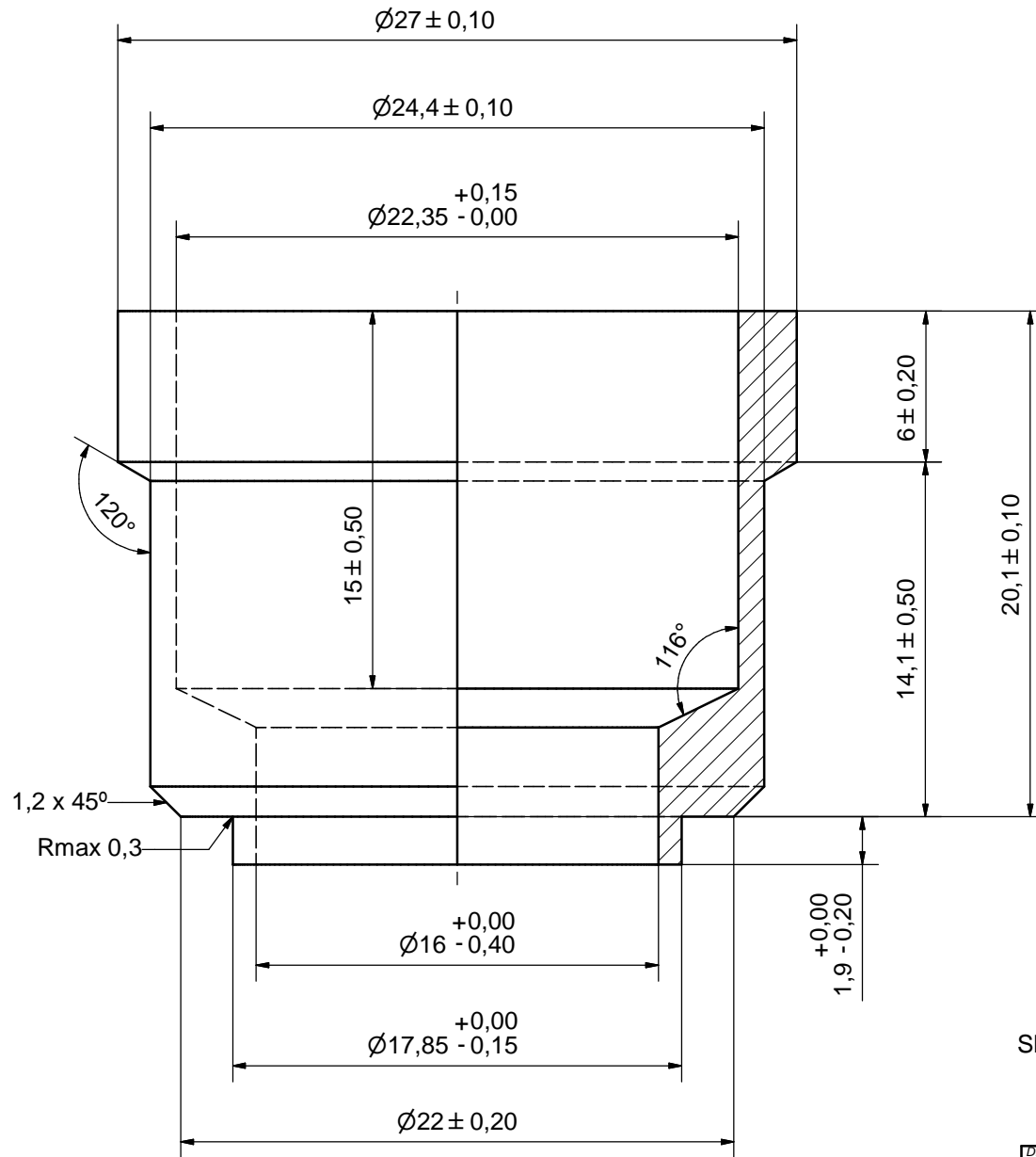
Rev No.	Alteration	Date	Checked	Approved
8	REDRAWN IN INVENTOR	2004/07/07	TN	PDM



© Company Confidential. Property of SWEP International AB


Drawn	Checked	Approved	Created Date	General geometrical tolerancing ISO 2768	General surface finish R_a	Scale
HR	TP	VP	1990-09-08	m	3.2	5:1
			SOLDER $\varnothing 16$			
Article number		Drawing number		Revision		Sheet
-		CD000096		8		1 (1)

Rev No.	Alteration	Date	Checked	Approved
12	DEBURRING INFO ADDED	2009/03/03	TL	PDM

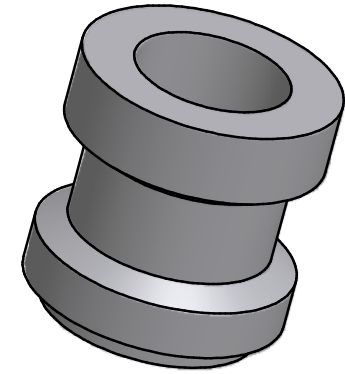
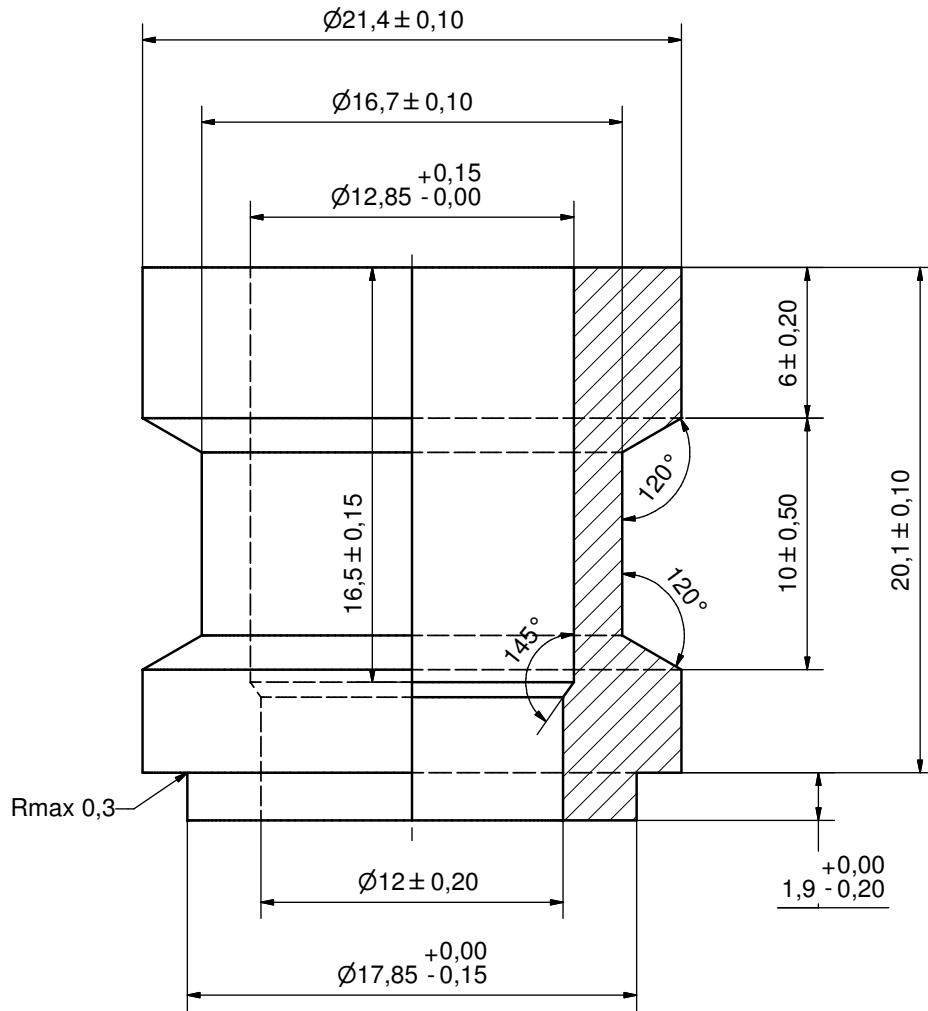


SHARP EDGES DEBURRED MAX 0,4


ACCORDING TO MQS
MATERIAL

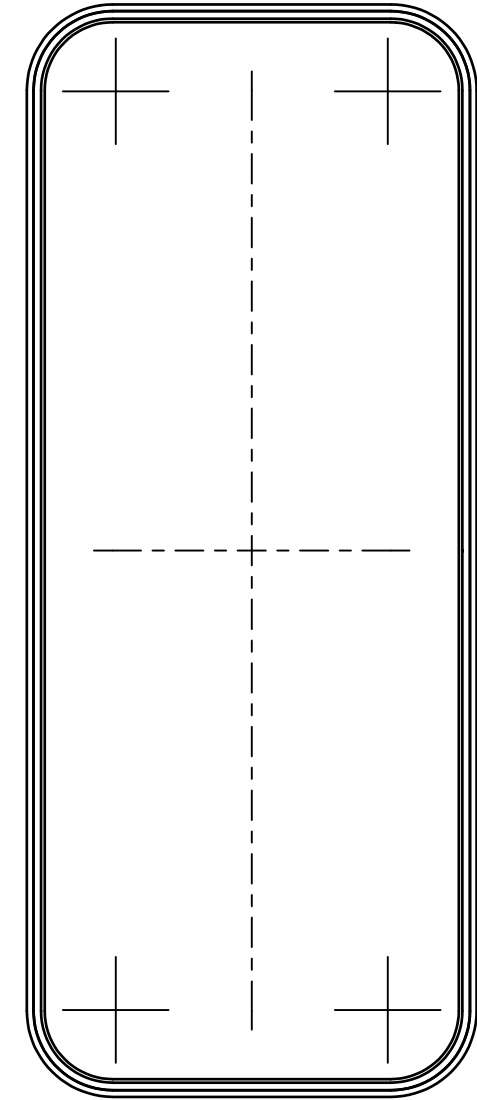
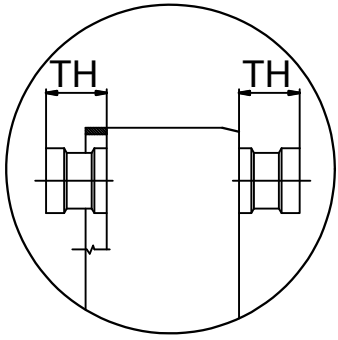
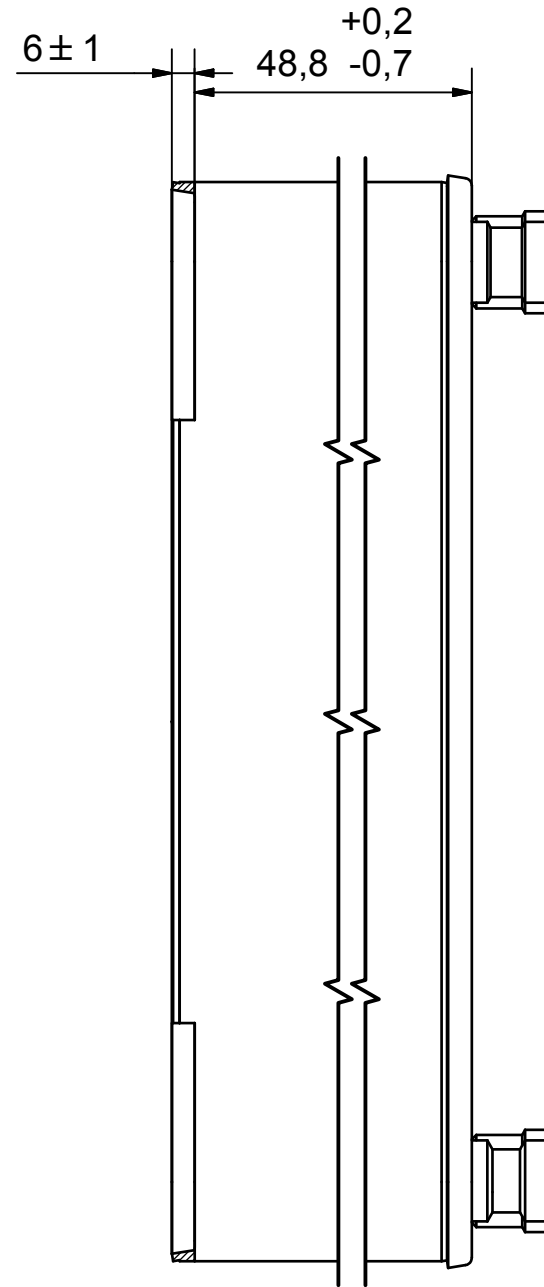
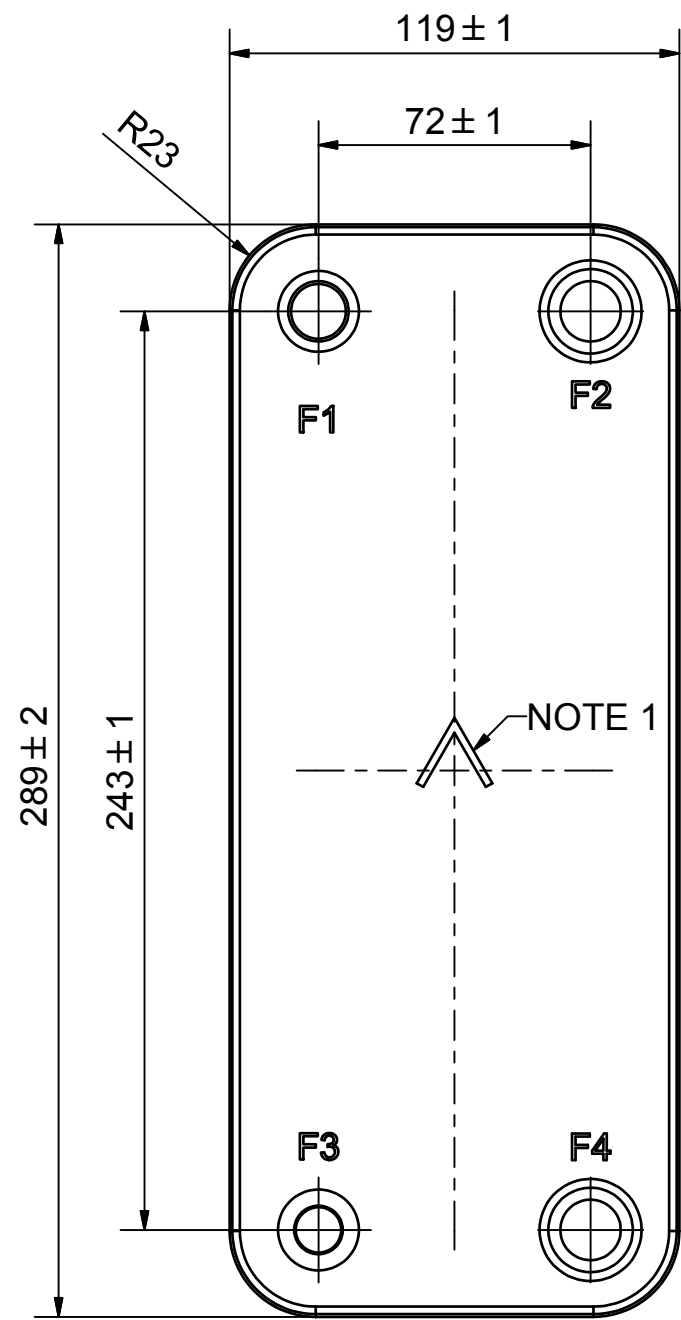
Drawn HR	Checked EG	Approved VP	Created Date 1990-09-08	General geometrical tolerancing ISO 2768 m	General surface finish R_a 3.2	Scale -
			SOLDER 22U			
Article number -		Drawing number CD000094		Revision 12	Sheet 1 (1)	

Rev No.	Alteration	Date	Checked	Approved
8	REDRAWN IN INVENTOR	2004/07/07	TN	PDM



© Company Confidential. Property of SWEP International AB


Drawn	Checked	Approved	Created Date	General geometrical tolerancing ISO 2768	General surface finish R_a	Scale
HR	TP	VP	1990/09/08	m	3.2	5:1
			SOLDER $\varnothing 12,8$			
Article number		Drawing number		Revision	Sheet	
-		CD000097		8	1 (1)	



NOTE 1 ALTERNATE MARKING: STICKER OR STAMP
 Volume inner channel: 0.55 dm³, volume outer channel: 0.61 dm³. Heat transfer area: 0.558 m²

F4	45072	SOLDER 22U, TH = 20.1	CD000094
F3	45080	SOLDER ø12,8, TH = 20.1	CD000097
F2	45072	SOLDER 22U, TH = 20.1	CD000094
F1	45079	SOLDER ø16, TH = 20.1	CD000096

Pos	Article No	Title / Denomination, code, material, dimension etc	Drawing No./ref	Pos	Article No	Title / Denomination, code, material, dimension etc	Drawing No./ref
-----	------------	---	-----------------	-----	------------	---	-----------------

Title		B10THx20/1P-SC-M	
 A DOVER COMPANY		Created Date	Created By
		2012-03-19	AU
Article/Configuration number		Drawing number	
0158158.0		AU00076383	