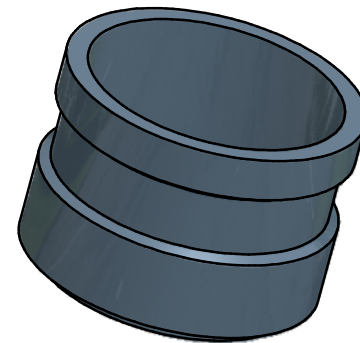
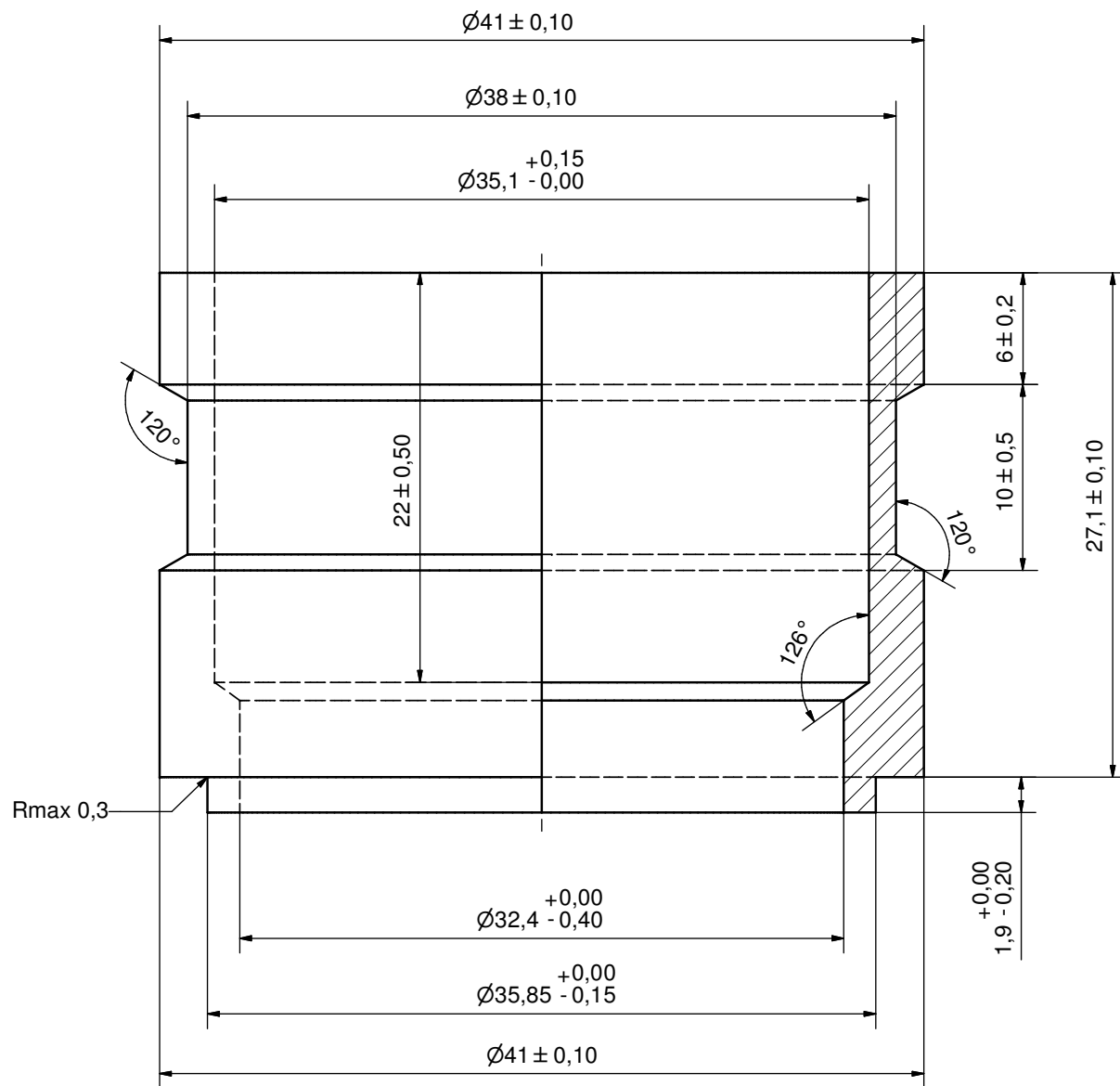



Rev No.	Alteration	Date	Checked	Approved
4	REDRAWN IN INVENTOR	2004/07/14	TN	PDM



© Company Confidential. Property of SWEP International AB

Drawn	Checked	Approved	Created Date	General geometrical tolerancing ISO 2768	General surface finish R_a	Scale
EG	HR	BOS	11/18/1994	m	3.2	4:1
				Title SOLDER $\varnothing 35,1$		
Article number -		Drawing number CD000192		Revision 4	Sheet 1 (1)	