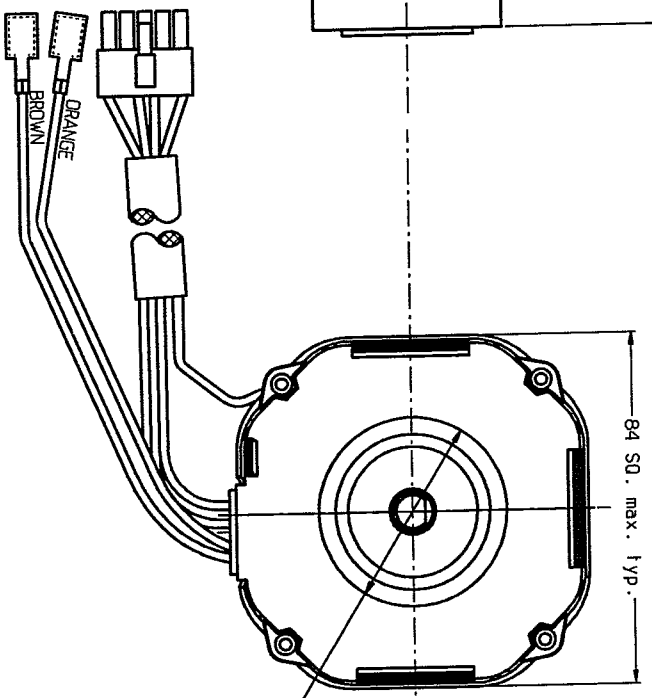
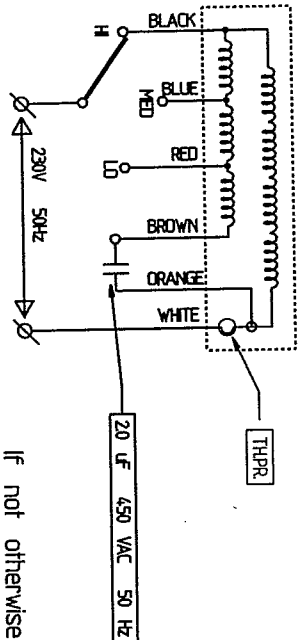
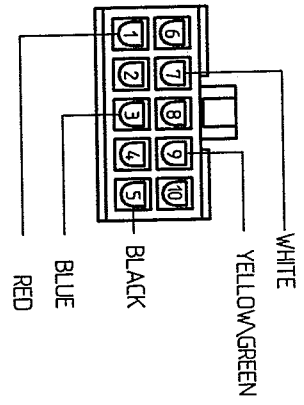


CCW



WIRE CATNo:	613131	LENAIRE
DESCRIPTION	WHITE BLACK, BLUE RED, YELLOW/GREEN	WIRE END
	ORANGE BROWN	MOLEX MINI FIT JBS57
	BLACK	FASTON 250 FEMALE WITH PLASTIC COVER
LENGTH	265±15	
LENGTH	265±15	
STEEL PITCH	240-10	
REMARKS		

TYPE 4723131 TNL-S-33 THPR DYNAR
 W/DZ1 CAP 2.0UF 450V
 230V 50HZ PHA.037A CLB
 RPM1340/150/880
 DATE



If not otherwise specified, all dimension in mm

DRWG.2859		Motor assembly - TNL-S-35	
Drawn	MR	110301	Cal/No:
Approved			Motor type
Scale	1/2		4723131
Gen. tolerance	±10		Customer
File	E:\TNL-S-35\ASSY	VR	3131
		Lev:	
		Part:	310501